



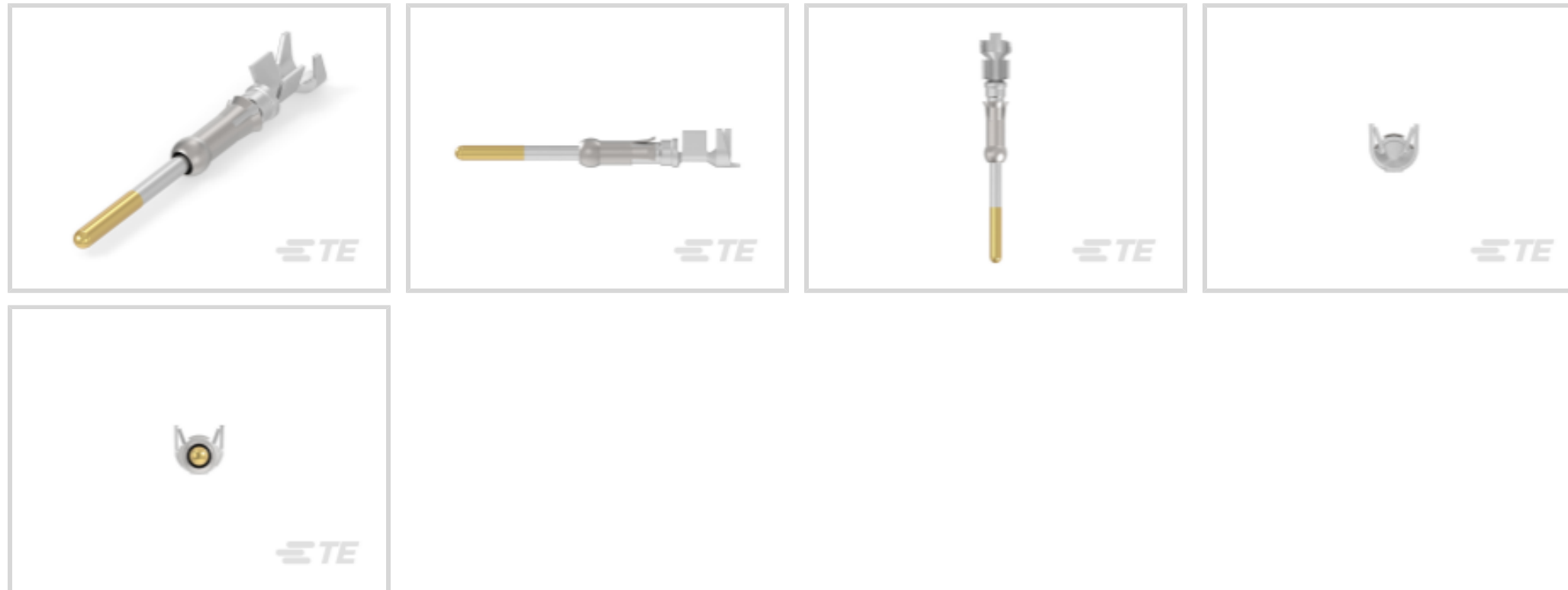
AMP | AMP CPC

TE Internal #: 213603-3

Pin Contact, Gold, Size 16 Contact Size, 18 – 14 AWG Wire Size, .8 – 2 mm<sup>2</sup> Wire Size, Crimp, Brass, Power, -55 – 90 °C [-67 – 194 °F], AMP CPC

[View on TE.com >](#)

Connectors > Contacts > Connector Contacts



Contact Type: **Pin**

Contact Mating Area Plating Material: **Gold**

Wire Contact Termination Area Plating Material: **Gold**

Contact Retention Within Housing: **With**

Contact Size: **Size 16**

## Features

### Product Type Features

Sealable	No
----------	----

### Contact Features

Mating Pin Diameter	1.57 mm[.062 in]
Contact Underplating Material Thickness	1.27 µm[50 µin]
Wire Contact Termination Area Plating Thickness	.13 µm[5 µin]
Wire Contact Termination Area Plating Material Finish	Bright
Contact Mating Area Plating Material Thickness	.76 µm[30 µin]
Contact Mating Area Plating Material Finish	Bright
Contact Orientation	Straight
Contact Underplating Material	Nickel
Barrel Type	Open
Contact Type	Pin
Contact Mating Area Plating Material	Gold
Wire Contact Termination Area Plating Material	Gold



Contact Retention Within Housing	With
Contact Size	Size 16
Contact Base Material	Brass
Contact Current Rating (Max)	13 A

### Termination Features

Termination Method to Wire & Cable	Crimp
Product Terminates To	Wire & Cable

### Mechanical Attachment

Wire Insulation Support	Without
-------------------------	---------

### Dimensions

Compatible Insulation Diameter Range	2.79 – 3.81 mm [.11 – .15 in]
Wire Size	.8 – 2 mm <sup>2</sup>

### Usage Conditions

Operating Temperature Range	-55 – 90 °C [-67 – 194 °F]
-----------------------------	----------------------------

### Operation/Application

Circuit Application	Power
---------------------	-------

### Packaging Features

Packaging Quantity	4000
Packaging Method	Reel

### Product Compliance

[For compliance documentation, visit the product page on TE.com>](#)

EU RoHS Directive 2011/65/EU	Compliant
EU ELV Directive 2000/53/EC	Compliant
China RoHS 2 Directive MIIT Order No 32, 2016	No Restricted Materials Above Threshold
EU REACH Regulation (EC) No. 1907/2006	Current ECHA Candidate List: JUNE 2024 (241) Candidate List Declared Against: JUNE 2024 (241) Does not contain REACH SVHC
Halogen Content	Low Halogen - Br, Cl, F, I < 900 ppm per homogenous material. Also BFR/CFR/PVC Free
Solder Process Capability	Not applicable for solder process capability

Product Compliance Disclaimer

This information is provided based on reasonable inquiry of our suppliers and represents our current actual knowledge based on the information they provided. This information is subject to change. The part numbers that TE has identified as EU RoHS compliant have a maximum concentration of 0.1% by weight in homogenous materials for lead, hexavalent chromium, mercury, PBB, PBDE, DBP, BBP, DEHP, DIBP, and 0.01% for cadmium, or qualify for an exemption to these limits as defined in the Annexes of Directive 2011/65/EU (RoHS2). Finished electrical and electronic equipment products will be CE marked as required by Directive 2011/65/EU. Components may not be CE marked. Additionally, the part numbers that TE has identified as EU ELV compliant have a maximum concentration of 0.1% by weight in homogenous materials for lead, hexavalent chromium, and mercury, and 0.01% for cadmium, or qualify for an exemption to these limits as defined in the Annexes of Directive 2000/53/EC (ELV). Regarding the REACH Regulation, the information TE provides on SVHC in articles for this part number is based on the latest European Chemicals Agency (ECHA) 'Guidance on requirements for substances in articles' posted at this URL: <https://echa.europa.eu/guidance-documents/guidance-on-reach>

## Compatible Parts



TE Part # 91521-1  
CCII TYPE III+ PIN SKT 18-14 ASSY



TE Part # 2151405-1  
OCEAN\_2.0\_Applicator-S-090F155O-RSM



TE Part # 2151405-2  
OCEAN\_2.0\_Applicator-S-090F155O-RSA



TE Part # 2305570-1  
Strip Terminal Cutter-Side Feed-No Crimp



TE Part # 7-2151405-7  
OCEAN\_2.0\_SPARE\_PART\_KIT-090F155O

## Also in the Series | AMP CPC



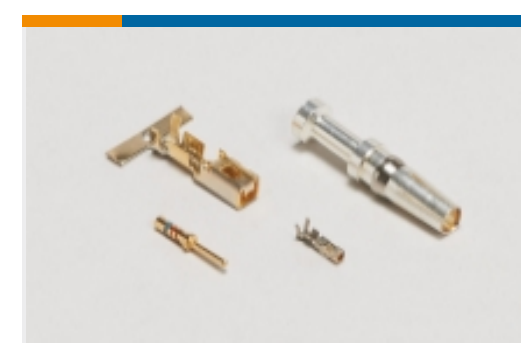
Circular Power Connectors(458)



Connector Backshells(1)



Connector Caps & Covers(19)



Connector Contacts(6)



Connector Hardware(12)



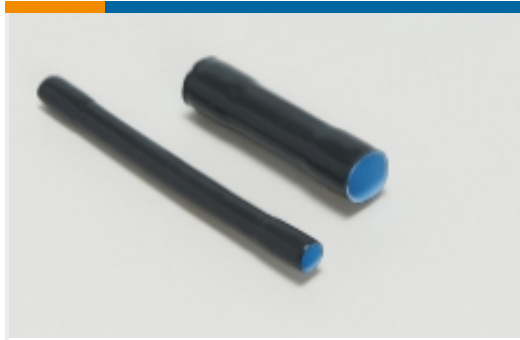
Connector Seals & Cavity Plugs(36)



Connector Strain Relief(60)



Insertion & Extraction Tools(1)

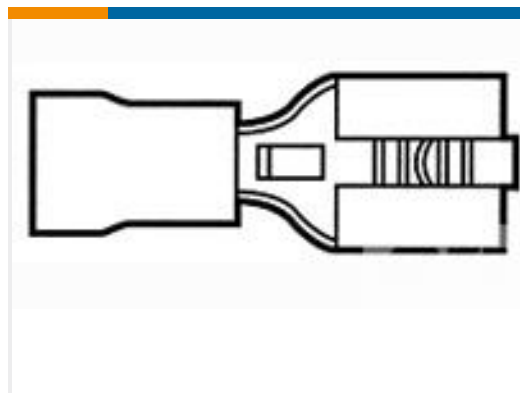


Sealing Sleeves(2)

## Customers Also Bought



TE Part #206437-1  
CPC Connectors, Series 2



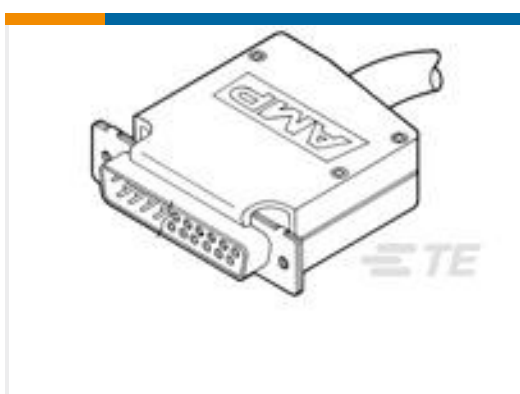
TE Part #9-160313-2  
250 PIDG FASTON REC



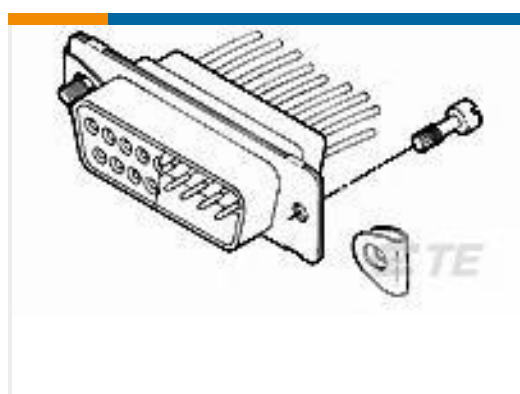
TE Part #749805-7  
KIT,HDP-20,PLUG,SIZE 1, 9 POSN



TE Part #1757819-7  
AMPLIMITE,ASY,PLUG,STD,109,ZN,2, CT



TE Part #5205729-1  
CLAMHELL ASSEMBLY,SIZE 1



TE Part #5205980-3  
SCREW RETAINER KIT,BULK PKG



TE Part #T4112002041-000  
M12,FEMALE,RA,A CODE,4P,PG9, GOLD



TE Part #211398-3  
CPC RECPT. SIZE 13-7

## Documents

### Product Drawings

5015 PIN,18-14,30AU DUP,STRIP

English

### CAD Files

3D PDF

3D

Customer View Model

ENG\_CVM\_CVM\_213603-3\_L.2d\_dxf.zip



English

Customer View Model

[ENG\\_CVM\\_CVM\\_213603-3\\_L.3d\\_igs.zip](#)

English

Customer View Model

[ENG\\_CVM\\_CVM\\_213603-3\\_L.3d\\_stp.zip](#)

English

By downloading the CAD file I accept and agree to the [Terms and Conditions](#) of use.

---

### Datasheets & Catalog Pages

[AMP Circular Connectors for Commercial Signal & Power Applications Continued](#)

English

---

### Product Specifications

[Application Specification](#)

English