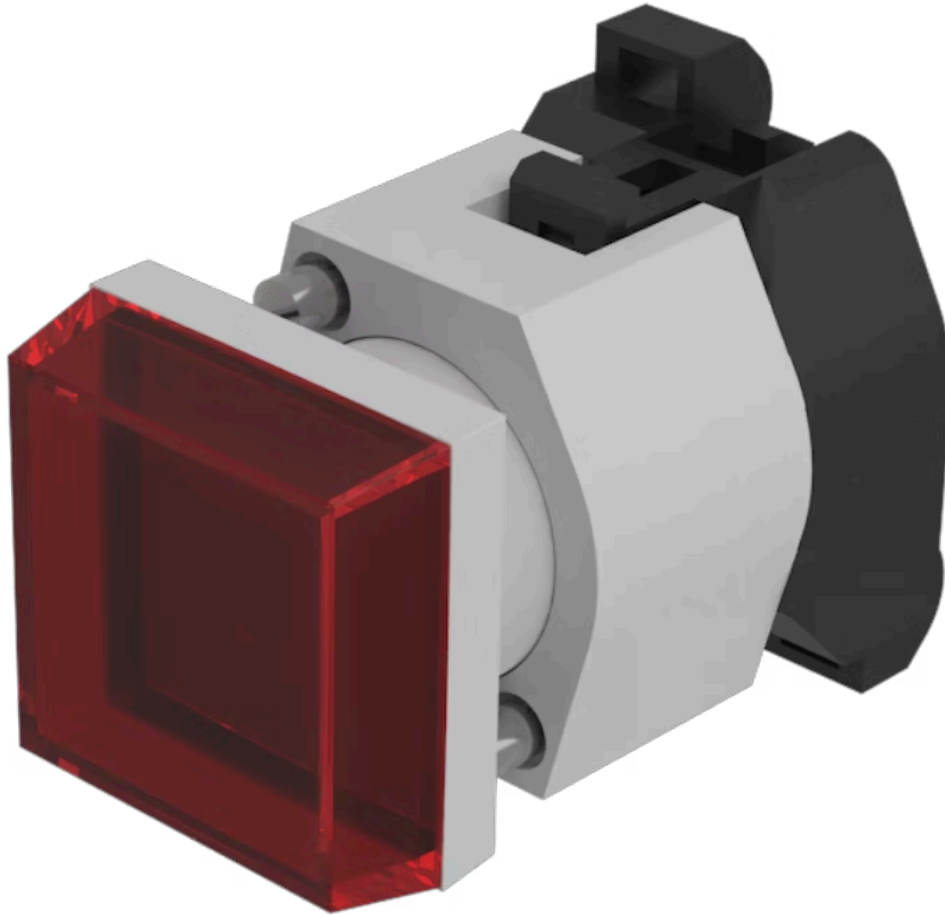


Actuator

704.200.2

Distribution by
DigiKey

DigiKey



<https://digikey.eao.com/p/704.200.2>

Your product:



704.200.2 Actuator

FRONT

Front bezel material:	Plastic
Front form:	square
Front bezel colour:	Grey
Front dimension:	30 mm x 30 mm

MOUNTING

Design:	raised
----------------	--------

OPERATING-/INDICATION PART

Lens cap material:	Plastic
Marking cap optics:	translucent
Lens cap colour:	Red
Lens cap optical effect:	transparent
Marking cap colour:	White

ELECTRICAL CHARACTERISTICS

Standards:	The switches comply with the "Standards for low-voltage switching devices" DIN EN 60947-1
-------------------	---

MECHANICAL CHARACTERISTIC

Weight:	0.05 kg
Terminal:	Screw terminal

AMBIENT CONDITION

Operating temperature: - 40 °C ... + 55 °C

Storage temperature: - 40 °C ... + 85 °C

IP Protection: IP65 front side

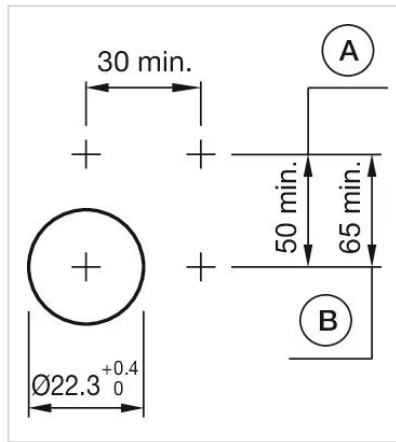
OTHER

Short Description: Actuator, 30 mm x 30 mm, square, Grey, Plastic, Screw terminal

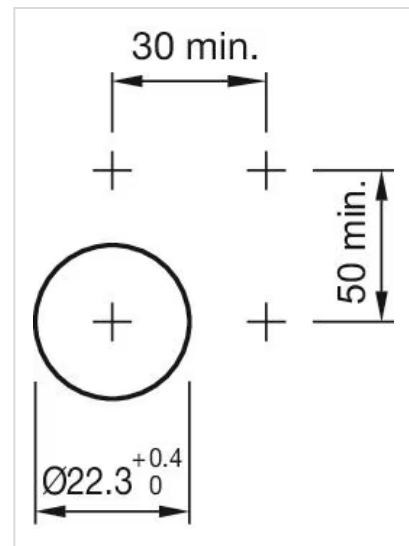
Housing colour: Grey

Housing material: Plastic

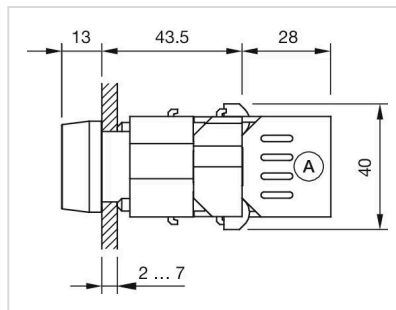
Mounting cut-outs:



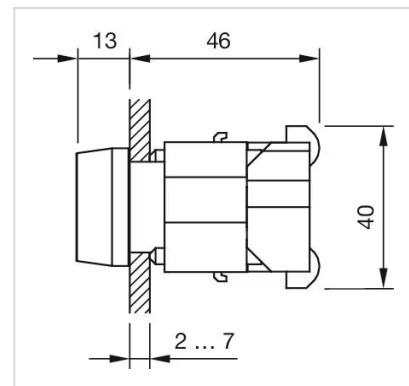
A = Screw terminal
B = Push-in terminal (PIT)



Dimension drawings:

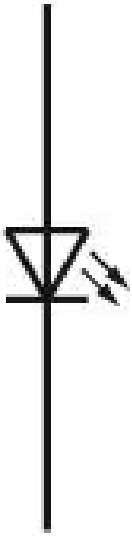


A = Screw terminal



Wiring diagrams:

x_2+



x_1-