

HC-B 16-TMSO1STM32G/M25S-EEE - Housing



1580489

<https://www.phoenixcontact.com/us/products/1580489>

Please be informed that the data shown in this PDF document is generated from our online catalog. Please find the complete data in the user documentation. Our general terms of use for downloads are valid.



HEAVYCON ADVANCE sleeve housing B16, with high-grade steel screw locking (hexagonal socket-head), salt water resistant aluminum, height 100 mm, with thread, 1xM32 straight and M25 lateral cable outlet, without surface; conductive seal (EMC properties)

Commercial data

Item number	1580489
Packing unit	10 pc
Minimum order quantity	1 pc
Product key	BF7AAA
GTIN	4046356438216
Weight per piece (including packing)	380.12 g
Weight per piece (excluding packing)	358.6 g
Country of origin	DE

HC-B 16-TMSO1STM32G/M25S-EEE - Housing



1580489

<https://www.phoenixcontact.com/us/products/1580489>

Technical data

Notes

General	For contact inserts HC-B16, BB32, D40, DD72, HS6, HV6, M, K
---------	---

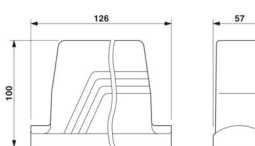
Product properties

Product type	Housing with screw locking
Housing type	Sleeve housing
Application	Offshore/EMC
Type	B16
Type of the screw connection	1x M25 / 1x M32
Fixing screws	M6 (screw head: 5 mm Allen screw)
Cable outlet	straight

Connection data

Tightening torque	3 Nm (Locking screw)
-------------------	----------------------

Dimensions

Dimensional drawing	
Width	57 mm
Height	100 mm
Length	126 mm

Installation dimensions

Width of the assembly cutout	35 mm
Length of the assembly cutout	86 mm

Material specifications

Seal material	NBR, conductive
Housing material	Die-cast aluminum, salt water resistant
Housing surface material	uncoated
Locking latch material	Stainless steel

Environmental and real-life conditions

Ambient conditions

Degree of protection	IP66
	IP68 (0.2 bar/24 h)
	IP69
Enclosure rating (NEMA)	4 (NEMA 250)
	4X (NEMA 250)

HC-B 16-TMSO1STM32G/M25S-EEE - Housing



1580489

<https://www.phoenixcontact.com/us/products/1580489>

	6P (NEMA 250)
	12 (NEMA 250)
Ambient temperature (operation)	-40 °C ... 125 °C

Mechanical properties

Mechanical data

Type of the screw connection	1x M25 / 1x M32
------------------------------	-----------------

Mounting

Assembly note	<p>In order to guarantee that the protective conductor contact functions even when plugged in at an angle, the two panel-mount flanges must have sufficient electrical contact with the metal mounting panel.</p> <p>To ensure optimum shielding, any insulating power coating must be removed from the profile gasket area on the control cabinet panel. Tightening torque of locking screw: 3 Nm.</p>
Fixing screws	M6 (screw head: 5 mm Allen screw)

HC-B 16-TMSO1STM32G/M25S-EEE - Housing

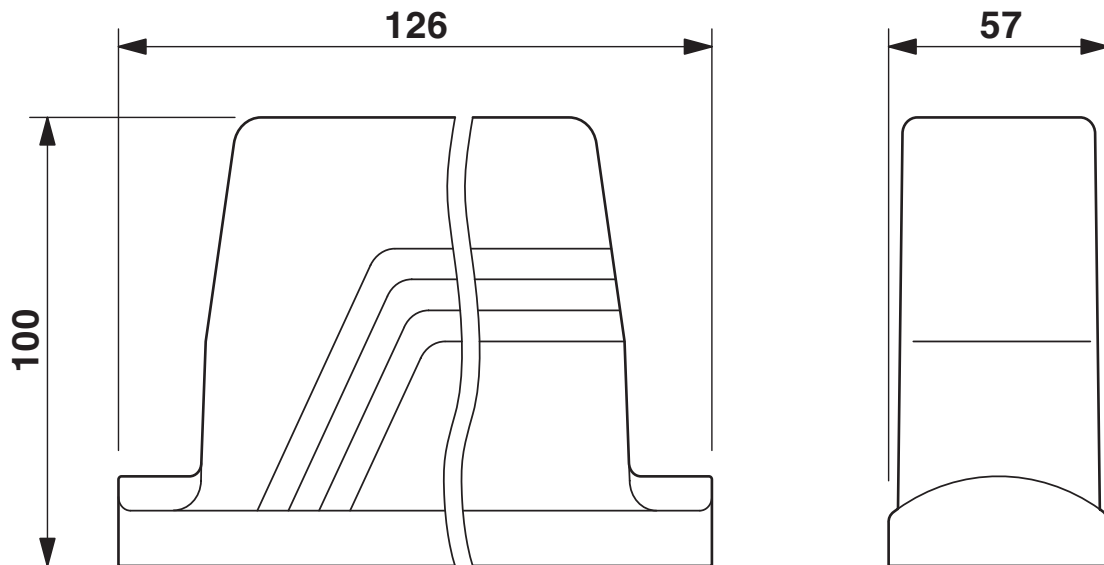


1580489

<https://www.phoenixcontact.com/us/products/1580489>

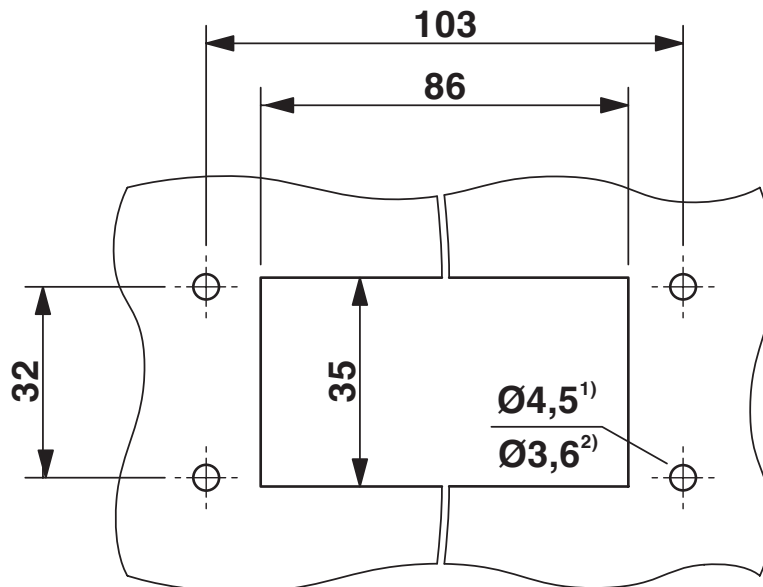
Drawings

Dimensional drawing



Dimensional drawing

Dimensional drawing



Mounting cutout

1) when M4 screws are used

2) when self-tapping Torx® screws are used (Torx® 20, M4)

HC-B 16-TMSO1STM32G/M25S-EEE - Housing



1580489

<https://www.phoenixcontact.com/us/products/1580489>

Approvals

To download certificates, visit the product detail page: <https://www.phoenixcontact.com/us/products/1580489>



EAC

Approval ID: RU C-DE.AI30.B.01102



EAC

Approval ID: RU C-DE.BL08.B.00511

HC-B 16-TMSO1STM32G/M25S-EEE - Housing



1580489

<https://www.phoenixcontact.com/us/products/1580489>

Classifications

ECLASS

ECLASS-11.0	27440202
ECLASS-12.0	27440202
ECLASS-13.0	27440202

ETIM

ETIM 9.0	EC000437
----------	----------

UNSPSC

UNSPSC 21.0	31261500
-------------	----------

1580489

<https://www.phoenixcontact.com/us/products/1580489>

Environmental product compliance

EU RoHS

Fulfills EU RoHS substance requirements	Yes, No exemptions
---	--------------------

China RoHS

Environment friendly use period (EFUP)	EFUP-E
	No hazardous substances above the limits

EU REACH SVHC

REACH candidate substance (CAS No.)	No substance above 0.1 wt%
-------------------------------------	----------------------------

HC-B 16-TMSO1STM32G/M25S-EEE - Housing



1580489

<https://www.phoenixcontact.com/us/products/1580489>

Accessories

HC-B-AF - Panel-mount flange

1686533

<https://www.phoenixcontact.com/us/products/1686533>

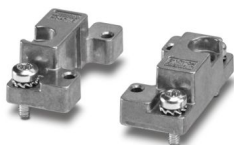


Panel-mount flange for HEAVYCON ADVANCE housing

HC-B-AF-SET - Panel-mount flange

1604638

<https://www.phoenixcontact.com/us/products/1604638>



Panel-mount flange for HEAVYCON ADVANCE housing, set consisting of:
2 panel-mount flanges with 4 self-tapping screws (M4, Torx[®]) and 4 fan-type washers

HC-B 16-TMSO1STM32G/M25S-EEE - Housing



1580489

<https://www.phoenixcontact.com/us/products/1580489>

HC-B 16-TMS-SD-IP50 - Protective cover

1690752

<https://www.phoenixcontact.com/us/products/1690752>



Protective cover B16, with clip locking, protective cover material: PA, height: 31.2 mm, seal: no, with lanyard

HC-B 16-TMS-SD-IP66 - Protective cover

1411517

<https://www.phoenixcontact.com/us/products/1411517>



HEAVYCON ADVANCE, IP66, B16 protective cover, for panel mounting side, with screw locking, with retaining cord, diameter of retaining cord eyelet: 3 mm

HC-B 16-TMSO1STM32G/M25S-EEE - Housing

1580489

<https://www.phoenixcontact.com/us/products/1580489>



HC-B 16-TMS-EEE-PR-DI - Profile gasket

1409817

<https://www.phoenixcontact.com/us/products/1409817>

Profile gasket for sleeve housing type B16.....EEE



SF-BIT-HEXB 5-89 - Screw insert

1208911

<https://www.phoenixcontact.com/us/products/1208911>

Screw bit, hexagonal with ball head, E6.3-1/4" drive, size: Hex 5 x 89 mm, hardened, suitable for holder according to DIN 3126-F 6.3/ISO 1173



HC-B 16-TMSO1STM32G/M25S-EEE - Housing

1580489

<https://www.phoenixcontact.com/us/products/1580489>



SF-M BH - Screwdriver

1212070

<https://www.phoenixcontact.com/us/products/1212070>



Bit screwdriver, with 1/4" quick-action chuck, handle length 119 mm, 2-component handle, with non-slip grip, suitable for bits according to DIN 3126-C 6.3 and E 6.3/ISO 1173, magnetic

Phoenix Contact 2024 © - all rights reserved

<https://www.phoenixcontact.com>

Phoenix Contact USA
586 Fulling Mill Road
Middletown, PA 17057, United States
(+717) 944-1300
info@phoenixcon.com