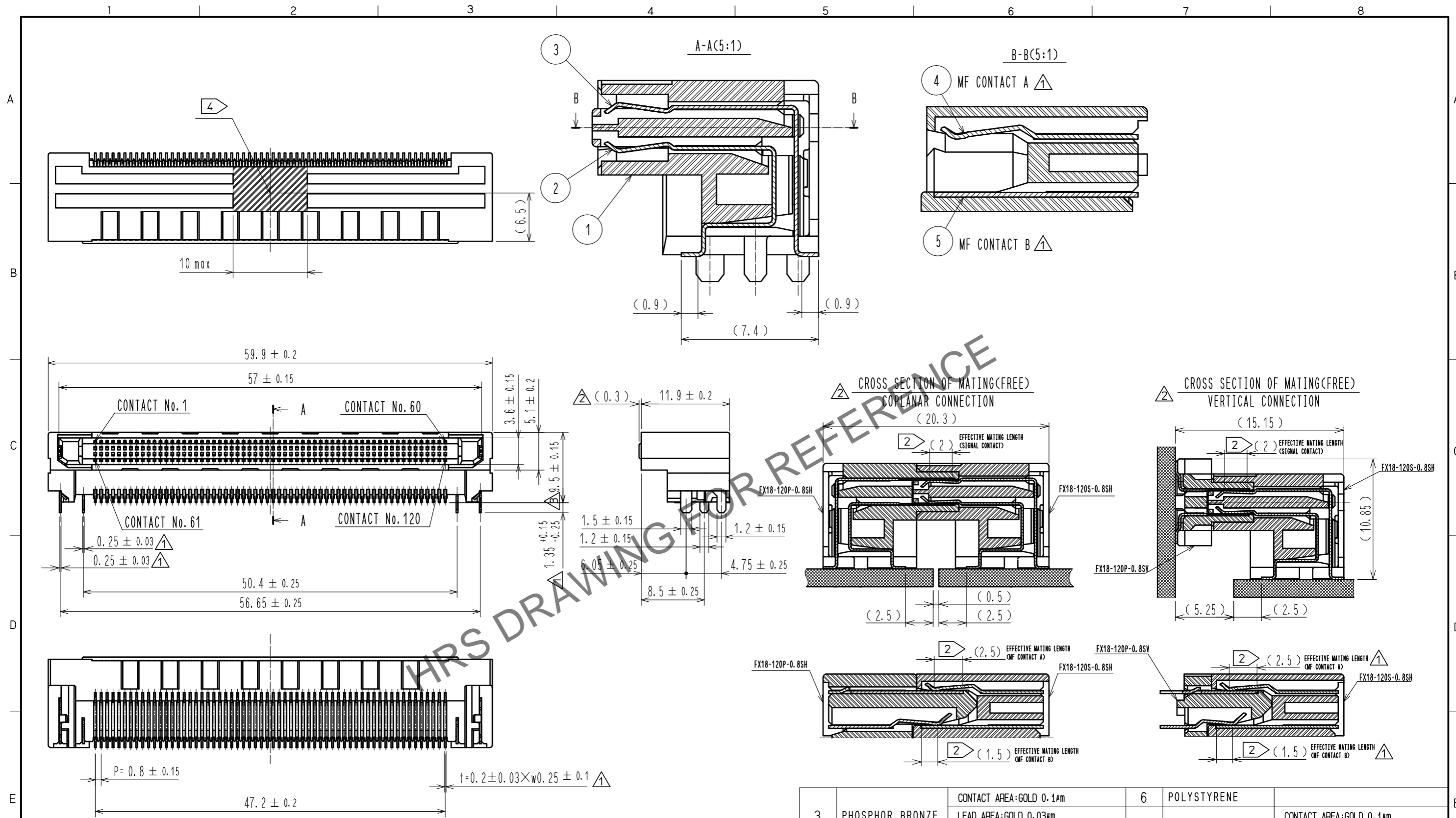


Jun.1.2024 Copyright 2024 HIROSE ELECTRIC CO., LTD. All Rights Reserved.  
 In case of consideration for using Automotive equipment / device which demand high reliability, kindly contact our sales window correspondents.



NOTE 1 LEAD CO-PLANARITY IS 0.1mm MAX.  
 ①② CONTACTS ARE 3 STEPS SEQUENTIAL. (MF CONTACT A=>SIGNAL CONTACT=>MF CONTACT B)  
 WHEN USING THIS SEQUENTIAL STRUCTURE, PLEASE AVOID ANGLED INSERTION.  
 ③ MF CONTACT A AND MF CONTACT B CAN BE USED AS POWER SUPPLY CONTACT. (3A/PIN MAX)  
 ④ IT SHOWS CONNECTOR'S CENTRE OF GRAVITY AND VACUUM PICKUP AREA.  
 ⑤ THIS IS PACKAGED IN TRAY. (40psc/TRAY)  
 6 BLEMISH AND HIT MARK CAN BE OCCURED THROUGH OUT THE MANUFACTURING PROCESS WHICH DOESN' T AFFECT QUALITY LEVEL.  
 7 THE DIMENSIONS IN PARENTHESES ARE FOR REFERENCES.

NO.	MATERIAL	FINISH	REMARKS	NO.	MATERIAL	FINISH	REMARKS
3	PHOSPHOR BRONZE	CONTACT AREA:GOLD 0.1μm		6	POLYSTYRENE		
		LEAD AREA:GOLD 0.03μm				CONTACT AREA:GOLD 0.1μm	
		UNDER PLATING:NICKEL 1.3μm	①	5	PHOSPHOR BRONZE	LEAD AREA:TIN-PLATING 1μm	
2	PHOSPHOR BRONZE	CONTACT AREA:GOLD 0.1μm				UNDER PLATING:NICKEL 1.3μm	①
		LEAD AREA:GOLD 0.03μm		4	PHOSPHOR BRONZE	CONTACT AREA:GOLD 0.1μm	
		UNDER PLATING:NICKEL 1.3μm	①			LEAD AREA:TIN-PLATING 1μm	
1	POLYAMIDE	BLACK	UL94V-0			UNDER PLATING:NICKEL 1.3μm	①

UNITS	SCALE	COUNT	DESCRIPTION OF REVISIONS	DESIGNED	CHECKED	DATE
mm	2 : 1	1	DIS-F-00019201	KT. SUGIYAMA	HT. YAMAGUCHI	20231005

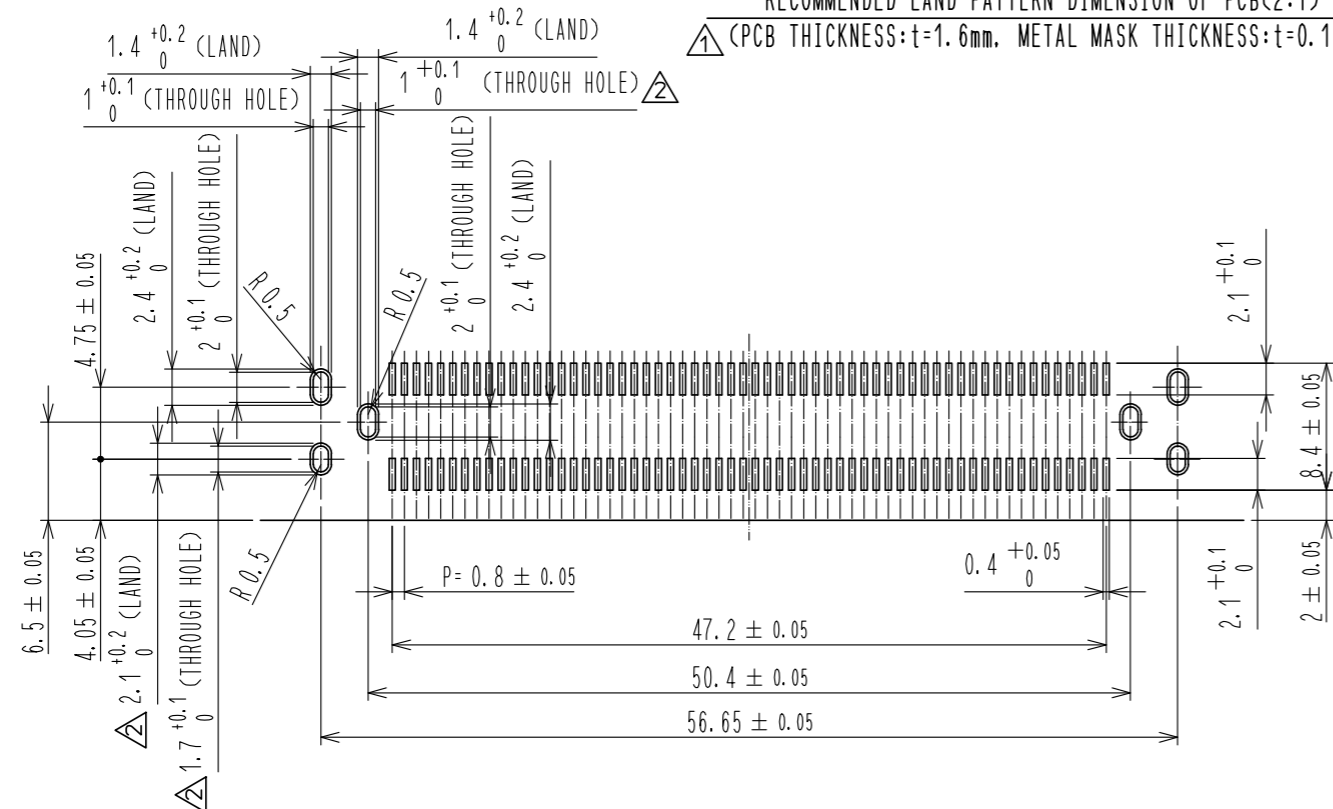
  

APPROVED	CHECKED	DESIGNED	DRAWN	DRAWING NO.	PART NO.	CODE NO.
HS. OKAWA	HS. OZAWA	KI. HIROKAWA	KI. HIROKAWA	EDC3-159085-00	FX18-120S-0.8SH	CL0579-0013-1-00
20090424	20090424	20090424	20090424			

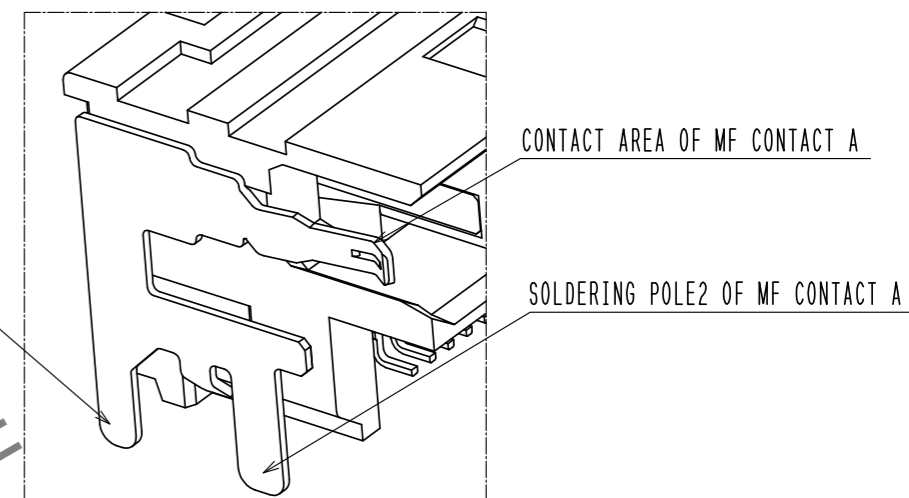
Jun.1.2024 Copyright 2024 HIROSE ELECTRIC CO., LTD. All Rights Reserved.  
 In case of consideration for using Automotive equipment / device which demand high reliability, kindly contact our sales window correspondents.

RECOMMENDED LAND PATTERN DIMENSION OF PCB(2:1)

(PCB THICKNESS:t=1.6mm, METAL MASK THICKNESS:t=0.12mm)

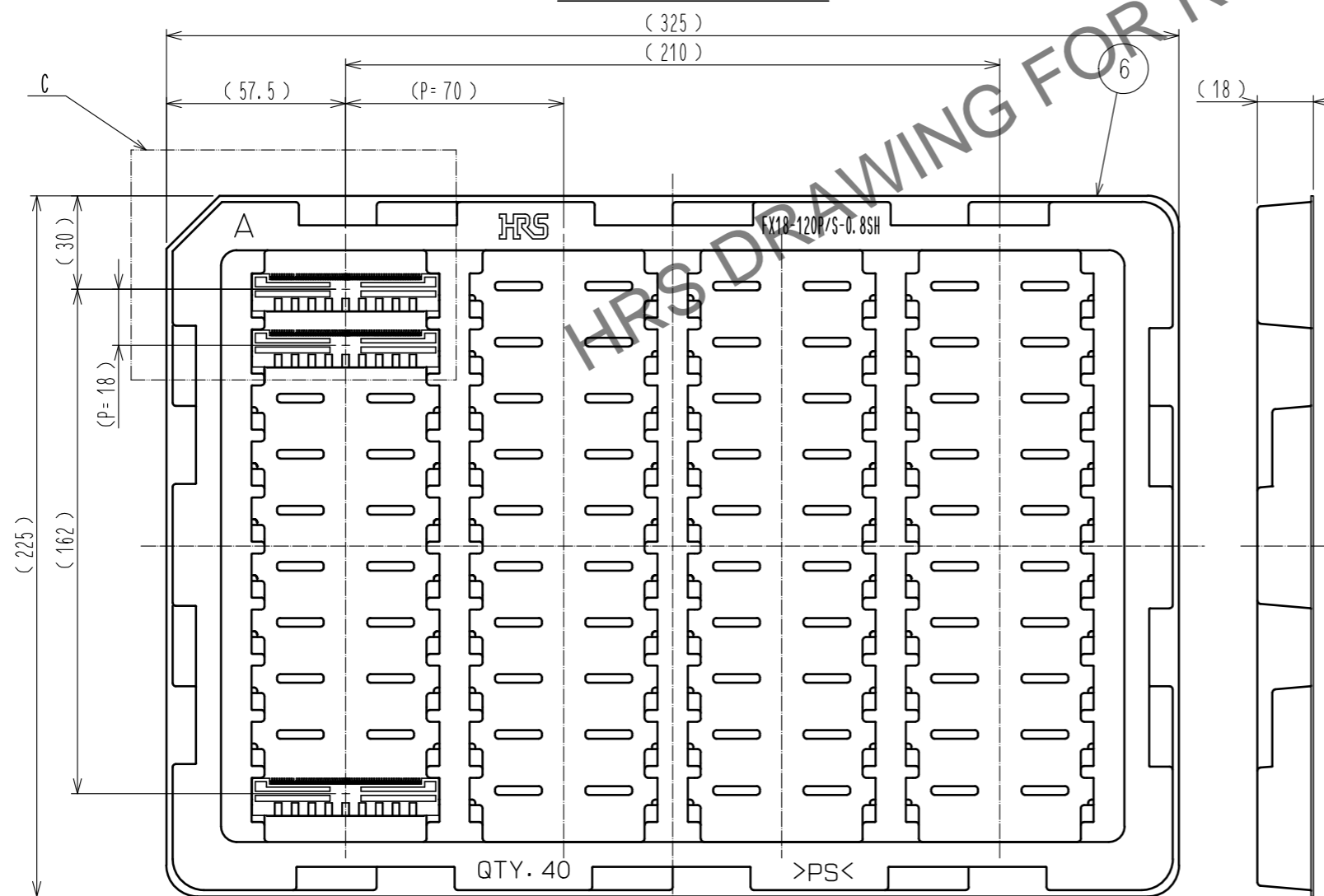


8 CONFIGURATION OF MF CONTACT A



NOTE 8 SOLDERING LEAD OF MF CONTACT A SPLITS INTO TWO POLES.  
 BE SURE TO CONNECT TO THE SAME CIRCUIT.

5 DRAWING FOR PACKING(1:2)



<b>HRS</b>	DRAWING NO.	EDC3-159085-00
	PART NO.	FX18-120S-0.8SH
	CODE NO.	CL0579-0013-1-00
		2/2