

184269-1 ✓ ACTIVE

SOLISTRAND

TE Internal #: 184269-1

Closed Ring Tongue Terminal, 16 – 14 AWG, M4 Stud Size, 4.34 mm [.171 in] Stud Diameter, Closed Barrel, Right Angle, Tin, Uninsulated

[View on TE.com >](#)



Terminals & Splices > Ring Terminals



Ring Terminal Product Type: **Closed Ring Tongue Terminal**

Wire Size: **2050 – 5180 CMA**

Stud Size: **M4**

Features

Product Type Features

Ring Terminal Product Type	Closed Ring Tongue Terminal
Stud Size	M4
Sealable	No
Wire Insulation Support Retention Type	Non-Insulation Support

Configuration Features

Number of Holes	2
-----------------	---

Contact Features

Barrel Type	Closed
Terminal Orientation	Right Angle
Terminal Plating Material	Tin

Mechanical Attachment

Wire Insulation Support	Without
-------------------------	---------

Dimensions

Wire Size	2050 – 5180 CMA
Stud Diameter	4.34 mm [.171 in]



Tongue Thickness	1.22 mm[.048 in]
------------------	------------------

Barrel Inside Diameter	2.67 mm[.105 in]
------------------------	------------------

Usage Conditions

Insulation Option	Uninsulated
-------------------	-------------

Operating Temperature Range	170 °C[338 °F]
-----------------------------	----------------

Operation/Application

Compatible With Wire Base Material	Copper
------------------------------------	--------

Compatible With Wire Plating Material	Tin
---------------------------------------	-----

Industry Standards

Government Qualified Terminal	No
-------------------------------	----

Packaging Features

Packaging Quantity	500
--------------------	-----

Packaging Method	Package
------------------	---------

Product Compliance

[For compliance documentation, visit the product page on TE.com>](#)

EU RoHS Directive 2011/65/EU	Compliant
------------------------------	-----------

EU ELV Directive 2000/53/EC	Compliant
-----------------------------	-----------

China RoHS 2 Directive MIIT Order No 32, 2016	No Restricted Materials Above Threshold
---	---

EU REACH Regulation (EC) No. 1907/2006	Current ECHA Candidate List: JUNE 2024 (241) Candidate List Declared Against: JUNE 2024 (241) Does not contain REACH SVHC
--	---

Halogen Content	Low Halogen - Br, Cl, F, I < 900 ppm per homogenous material. Also BFR/CFR/PVC Free
-----------------	---

Solder Process Capability	Not applicable for solder process capability
---------------------------	--

Product Compliance Disclaimer

This information is provided based on reasonable inquiry of our suppliers and represents our current actual knowledge based on the information they provided. This information is subject to change. The part numbers that TE has identified as EU RoHS compliant have a maximum concentration of 0.1% by weight in homogenous materials for lead, hexavalent chromium, mercury, PBB, PBDE, DBP, BBP, DEHP, DIBP, and 0.01% for cadmium, or qualify for an exemption to these limits as defined in the Annexes of Directive 2011/65/EU (RoHS2). Finished electrical and electronic equipment products will be CE marked as required by Directive 2011/65/EU. Components may not be CE marked. Additionally, the part numbers that TE has identified as EU ELV compliant have a maximum concentration of 0.1% by weight in homogenous materials for lead, hexavalent chromium, and mercury, and 0.01% for cadmium, or qualify for an exemption to these limits as defined in the Annexes of Directive 2000/53/EC (ELV). Regarding the REACH Regulation, the information TE provides on SVHC in articles for this part number is based on the latest European Chemicals Agency (ECHA) 'Guidance on

requirements for substances in articles' posted at this URL: <https://echa.europa.eu/guidance-documents/guidance-on-reach>

Compatible Parts



TE Part # 58545-1
SOLISTRAND 10-22 DIE ASSY



TE Part # 49935
DAHT SOLIS 22-10 ASSY

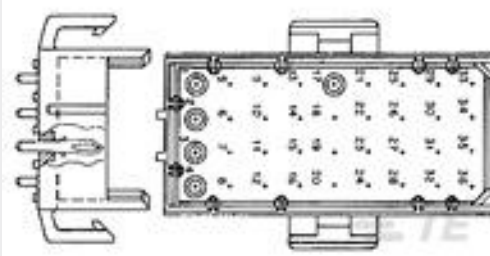


TE Part # 169400
CERTI-LOK FRAME W/O DIES


Customers Also Bought




TE Part #8-328281-1
TERMINAL,PIDG SPD 16-14 6



TE Part #2-640500-4
06P MR HDR ASSY VO LF



TE Part #8-34130-1
SPLC,SOLIS PARA 22-16C,22-18M



TE Part #653482-000
202K132-100/180-0



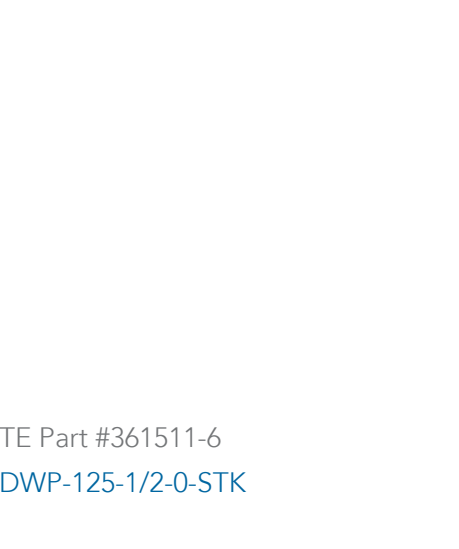
TE Part #9346692002
DWP-125 Heat Shrink Tubing



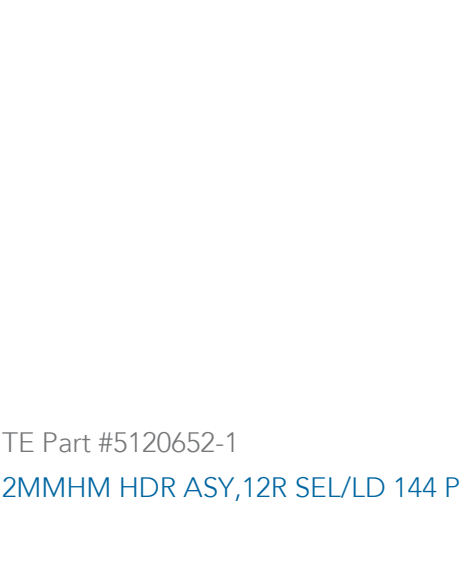
TE Part #1544443-1
CT DOUBLE INS G



TE Part #225689-E
POWELM BUCHSE RUNDM M5 6 2,54
* EP 6 CUS



TE Part #361511-6
DWP-125-1/2-0-STK



TE Part #5120652-1
2MMHM HDR ASY,12R SEL/LD 144 P

Documents

Product Drawings

SOLISTRAND 16-14HD 90 RING 8

English



CAD Files

Customer View Model

[ENG_CVM_CVM_184269-1_2.3d_igs.zip](#)

English

3D PDF

3D

Customer View Model

[ENG_CVM_CVM_184269-1_2.3d_stp.zip](#)

English

Customer View Model

[ENG_CVM_CVM_184269-1_2.2d_dxf.zip](#)

English

By downloading the CAD file I accept and agree to the [Terms and Conditions](#) of use.