

T1912160125-009 ✓ ACTIVE

HDC | HDC IP68 EMC

TE Internal #: T1912160125-009

Heavy Duty Connector Hood, Side Entry, Screwlock, HDC IP68 EMC

[View on TE.com >](#)



Connectors > Rectangular Connectors > Rectangular Connector Hoods & Bases



Hood & Base Connector Product Type: **Hood**

Cable Entry Location: **Side**

Hood & Base Locking Device Type: **Screwlock**

Features

Product Type Features

Hood & Base Connector Product Type	Hood
------------------------------------	------

Body Features

Primary Product Color	Black
Cable Entry Location	Side

Mechanical Attachment

Locking Device Location	Hood
Thread Size	M25
Hood & Base Locking Device Type	Screwlock

Housing Features

Housing Material	Die Cast Aluminum
------------------	-------------------

Dimensions

Product Width	53.2 mm[2.095 in]
Product Length	130 mm[5.118 in]
Product Height	80 mm[3.15 in]

Usage Conditions

Corrosion Protected	Yes
---------------------	-----



Packaging Features

Packaging Quantity	1
Packaging Method	Bag

Product Compliance

[For compliance documentation, visit the product page on TE.com>](#)

EU RoHS Directive 2011/65/EU	Compliant
EU ELV Directive 2000/53/EC	Compliant
China RoHS 2 Directive MIIT Order No 32, 2016	No Restricted Materials Above Threshold
EU REACH Regulation (EC) No. 1907/2006	Current ECHA Candidate List: JUNE 2024 (241) Candidate List Declared Against: JAN 2024 (240) Does not contain REACH SVHC
Halogen Content	BFR/CFR/PVC Free, but Br/Cl >900 ppm in other sources.
Solder Process Capability	Not reviewed for solder process capability

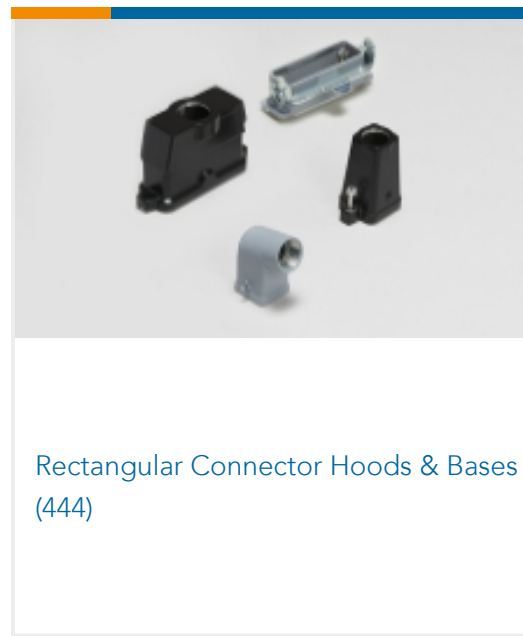
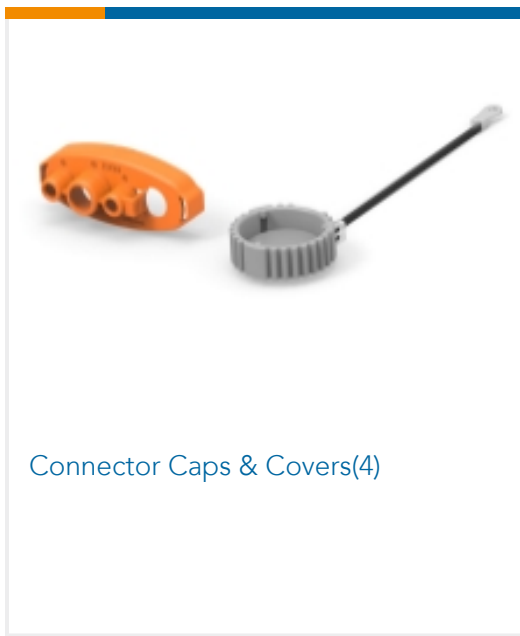
Product Compliance Disclaimer

This information is provided based on reasonable inquiry of our suppliers and represents our current actual knowledge based on the information they provided. This information is subject to change. The part numbers that TE has identified as EU RoHS compliant have a maximum concentration of 0.1% by weight in homogenous materials for lead, hexavalent chromium, mercury, PBB, PBDE, DBP, BBP, DEHP, DIBP, and 0.01% for cadmium, or qualify for an exemption to these limits as defined in the Annexes of Directive 2011/65/EU (RoHS2). Finished electrical and electronic equipment products will be CE marked as required by Directive 2011/65/EU. Components may not be CE marked. Additionally, the part numbers that TE has identified as EU ELV compliant have a maximum concentration of 0.1% by weight in homogenous materials for lead, hexavalent chromium, and mercury, and 0.01% for cadmium, or qualify for an exemption to these limits as defined in the Annexes of Directive 2000/53/EC (ELV). Regarding the REACH Regulation, the information TE provides on SVHC in articles for this part number is based on the latest European Chemicals Agency (ECHA) 'Guidance on requirements for substances in articles' posted at this URL: <https://echa.europa.eu/guidance-documents/guidance-on-reach>

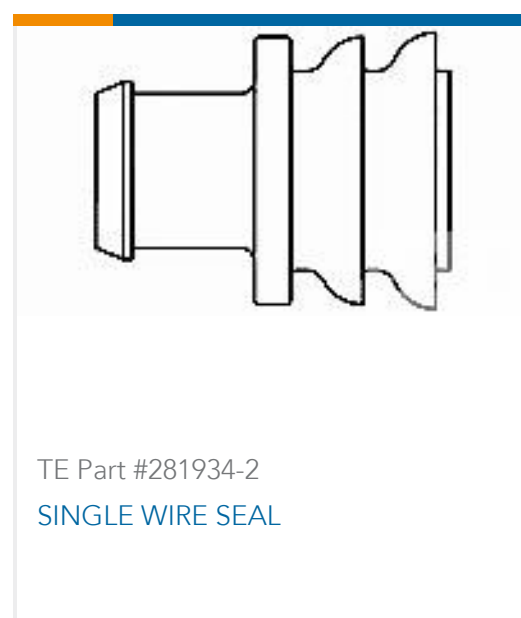
Compatible Parts



Also in the Series | [HDC IP68 EMC](#)



Customers Also Bought



Documents

Product Drawings

[H16BPR-TSHC-M25-EMC-C](#)

English

CAD Files

[3D PDF](#)

3D

Customer View Model

[ENG_CVM_CVM_T1912160125-009_A.2d_dxf.zip](#)

English

Customer View Model

[ENG_CVM_CVM_T1912160125-009_A.3d_igs.zip](#)

English

Customer View Model

[ENG_CVM_CVM_T1912160125-009_A.3d_stp.zip](#)

English

By downloading the CAD file I accept and agree to the [Terms and Conditions](#) of use.



Datasheets & Catalog Pages

HEAVY DUTY CONNECTORS

English

HEAVY DUTY CONNECTORS

Japanese

Product Specifications

Application Specification

English

Application Specification