

# HC-D50-TFQ-76/O1PG29G - Housing



1416395

<https://www.phoenixcontact.com/us/products/1416395>

Please be informed that the data shown in this PDF document is generated from our online catalog. Please find the complete data in the user documentation. Our general terms of use for downloads are valid.



Sleeve housing D50, for double locking latch, material: die-cast aluminum, cable outlets: 1, straight, 1x Pg29, height: 76 mm, cable gland: none, Standard

## Commercial data

Item number	1416395
Packing unit	10 pc
Minimum order quantity	1 pc
Product key	BF7AAE
Catalog page	Page 510 (C-4-2015)
GTIN	4055626072555
Weight per piece (including packing)	313.2 g
Weight per piece (excluding packing)	313.2 g
Country of origin	DE

# HC-D50-TFQ-76/O1PG29G - Housing

1416395

<https://www.phoenixcontact.com/us/products/1416395>

## Technical data

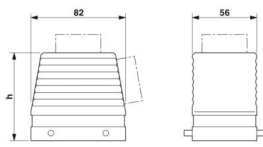
### Notes

General	For contact inserts HC-D25, A16/A32
---------	-------------------------------------

### Product properties

Product type	Housing with locking latch
Housing type	Sleeve housing
Application	Standard
Type	D50
No. of cable outlets	1
Type of the screw connection	1x Pg29
Cable outlet	straight
Pg screw connection	none

### Dimensions

Dimensional drawing	
Width	56 mm
Height	76 mm
Length	82 mm

### Material specifications

Housing material	die-cast aluminum
Housing surface material	Powder-coated, gray

### Mechanical properties

#### Mechanical data

Type of the screw connection	1x Pg29
Locking type	Pin

### Environmental and real-life conditions

#### Ambient conditions

Degree of protection	IP65
Ambient temperature (operation)	-40 °C ... 125 °C

# HC-D50-TFQ-76/O1PG29G - Housing

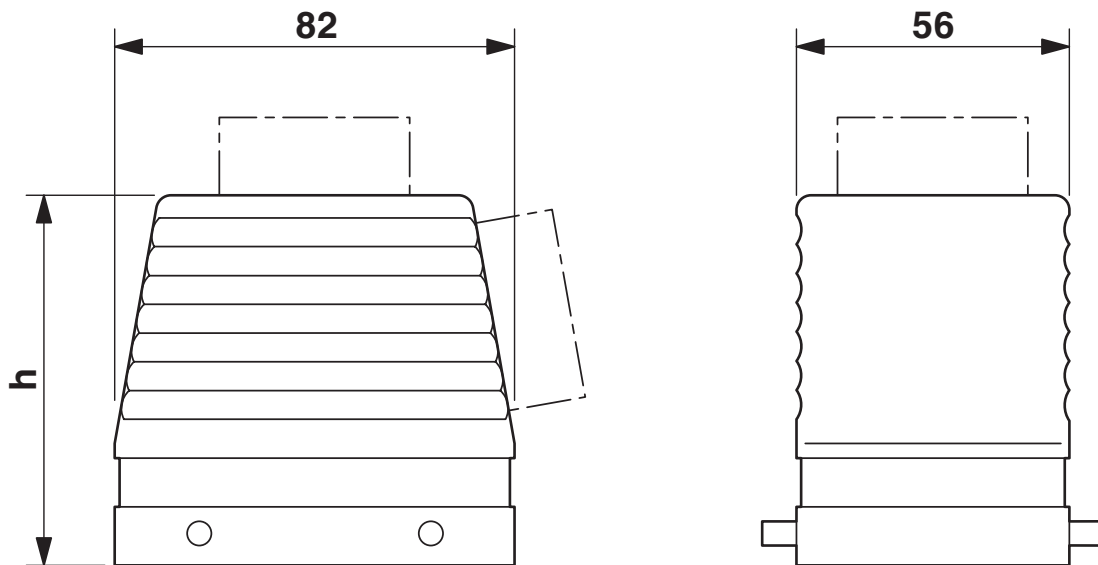


1416395

<https://www.phoenixcontact.com/us/products/1416395>

## Drawings

Dimensional drawing



Dimensional drawing

# HC-D50-TFQ-76/O1PG29G - Housing



1416395

<https://www.phoenixcontact.com/us/products/1416395>

## Classifications

### ECLASS

ECLASS-11.0	27440202
ECLASS-13.0	27440202

# HC-D50-TFQ-76/O1PG29G - Housing



1416395

<https://www.phoenixcontact.com/us/products/1416395>

## Environmental product compliance

### EU RoHS

Fulfills EU RoHS substance requirements	Yes, No exemptions
---	--------------------

### China RoHS

Environment friendly use period (EFUP)	EFUP-E
	No hazardous substances above the limits

### EU REACH SVHC

REACH candidate substance (CAS No.)	No substance above 0.1 wt%
-------------------------------------	----------------------------

# HC-D50-TFQ-76/O1PG29G - Housing

1416395

<https://www.phoenixcontact.com/us/products/1416395>

## Accessories

### G-INS-PG29-M68N-PNES-GY - Cable gland

1411146

<https://www.phoenixcontact.com/us/products/1411146>



Cable gland, material for screw connection: PA, application: Standard, external cable diameter 18 mm ... 25 mm, shielding: no, connecting thread: Pg29, color: silver-grey RAL 7001

---

### G-INS-PG29-M68N-NNES-S - Cable gland

1411176

<https://www.phoenixcontact.com/us/products/1411176>



Cable gland, material for screw connection: Brass, nickel-plated, application: Standard, external cable diameter 18 mm ... 25 mm, shielding: no, connecting thread: Pg29, color: silver, with O-ring

# HC-D50-TFQ-76/O1PG29G - Housing

1416395

<https://www.phoenixcontact.com/us/products/1416395>



## G-INSEC-PG29-M68N-NNES-S - Cable gland

1411201

<https://www.phoenixcontact.com/us/products/1411201>



Cable gland, material for screw connection: Brass, nickel-plated, application: EMC, external cable diameter 18 mm ... 25 mm, shielding: yes, connecting thread: Pg29, color: silver, with O-ring

---

## HC-BS-PG29 - Screw plug

1674532

<https://www.phoenixcontact.com/us/products/1674532>



Screw plug, material for screw connection: Brass, nickel-plated, connecting thread: Pg29, color: silver

---

Phoenix Contact 2024 © - all rights reserved  
<https://www.phoenixcontact.com>

Phoenix Contact USA  
586 Fulling Mill Road  
Middletown, PA 17057, United States  
(+717) 944-1300  
[info@phoenixcon.com](mailto:info@phoenixcon.com)