

EMD-BL-PTC-PT - Monitoring relay



2906253

<https://www.phoenixcontact.com/us/products/2906253>

Please be informed that the data shown in this PDF document is generated from our online catalog. Please find the complete data in the user documentation. Our general terms of use for downloads are valid.



Temperature monitoring of the motor winding (maximum 6 PTCs) for temperature sensors according to DIN 44081 and DIN 44082 with short-circuit monitoring of the thermistor circuit, with push-in connection.

Product description

Safety and system availability requirements are constantly on the increase – across all industries. Processes are becoming more and more complex, not only in machine building and the chemical industry but also in building technology. The demands placed on energy technology are also constantly on the rise.

It is only by continuously monitoring key network and system parameters that error-free and therefore cost-effective operation can be achieved. Electronic monitoring relays from the EMD series are available for a wide range of monitoring tasks so that the consequences of errors can be avoided or kept within limits.

The operating states are signaled via color LEDs and any errors that occur can be sent to a controller via a floating contact or can shut down a section of the system. All device versions are equipped with response delays so that measured values outside the set monitoring range can be briefly tolerated.

Commercial data

Item number	2906253
Packing unit	1 pc
Minimum order quantity	1 pc
Sales key	C440
Product key	CK4211
Catalog page	Page 248 (C-5-2019)
GTIN	4055626053745
Weight per piece (including packing)	72 g
Weight per piece (excluding packing)	72 g
Customs tariff number	85364900
Country of origin	AT

EMD-BL-PTC-PT - Monitoring relay



2906253

<https://www.phoenixcontact.com/us/products/2906253>

Technical data

Product properties

Product type	Temperature monitoring relay
Number (PTC sensor)	6 (1 x 6 PTCs)
Operating mode	100% operating factor
Mechanical service life	15x 10 ⁶ cycles

Data management status

Article revision	00
------------------	----

Insulation characteristics

Overvoltage category	III
Pollution degree	2

Electrical properties

Service life electrical	1x 10 ⁵ cycles
Rated surge voltage	4 kV

Supply

Supply voltage	230 V AC (-15 % ... +10 %)
Supply voltage range	195.5 V AC ... 253 V AC
Nominal power consumption	3.5 VA (0.5 W)

Input data

Input name	Measuring input
Maximum input voltage	4 V DC (connection terminal blocks: T1 and T2)
Frequency range	50 Hz ... 60 Hz
Maximum temperature coefficient	< 0.05 %/K
Response delay	< 100 ms
Switch-on delay	< 450 ms
Response value	≥ 3.6 kΩ (Relay drops out)
Function	Winding temperature monitoring
Basic accuracy	± 10 % (of scale end value)
Total cold resistance	≤ 1.5 kΩ
Release value	≤ 1.6 kΩ (Relay picks up)
Short-circuit detection	< 20 Ω
Recovery time	> 300 ms

Control

Reset	Autoreset
-------	-----------

Output data

Switching

Contact switching type	1 floating changeover contact
------------------------	-------------------------------

EMD-BL-PTC-PT - Monitoring relay



2906253

<https://www.phoenixcontact.com/us/products/2906253>

Maximum switching voltage	250 V AC (in acc. with IEC 60947-5-1)
Interrupting rating (ohmic load) max.	1250 VA (5 A / 250 V AC)
Output fuse	5 A (fast-blow)

Connection data

Connection method	Push-in connection
Stripping length	8 mm
Conductor cross section rigid	0.14 mm ² ... 2.5 mm ²
Conductor cross section flexible	0.14 mm ² ... 2.5 mm ²
Conductor cross section AWG	26 ... 14

Dimensions

Width	17.5 mm
Height	89.5 mm
Depth	65.5 mm

Material specifications

Color	gray (RAL 7042)
Housing insulation material	Polyamide PA 6.6, self-extinguishing

Environmental and real-life conditions

Ambient conditions

Degree of protection (Housing)	IP40 (Housing)
Degree of protection (Connection terminal blocks)	IP20 (Connection terminal blocks)
Ambient temperature (operation)	-25 °C ... 55 °C
Ambient temperature (storage/transport)	-25 °C ... 70 °C
Permissible humidity (operation)	15 % ... 85 %

Approvals

CE

Certificate	CE-compliant
-------------	--------------

EMC data

Low Voltage Directive	Conformance with Low Voltage Directive
Noise immunity	EN 61000-6-2
Electromagnetic compatibility	Conformance with EMC directive
Noise emission	EN 61000-6-3

Standards and regulations

Standards/regulations	IEC 60947-5-1
-----------------------	---------------

Mounting

Mounting type	DIN rail mounting
Assembly note	on standard DIN rail NS 35 in accordance with EN 60715

EMD-BL-PTC-PT - Monitoring relay

2906253

<https://www.phoenixcontact.com/us/products/2906253>



Mounting position	any
-------------------	-----

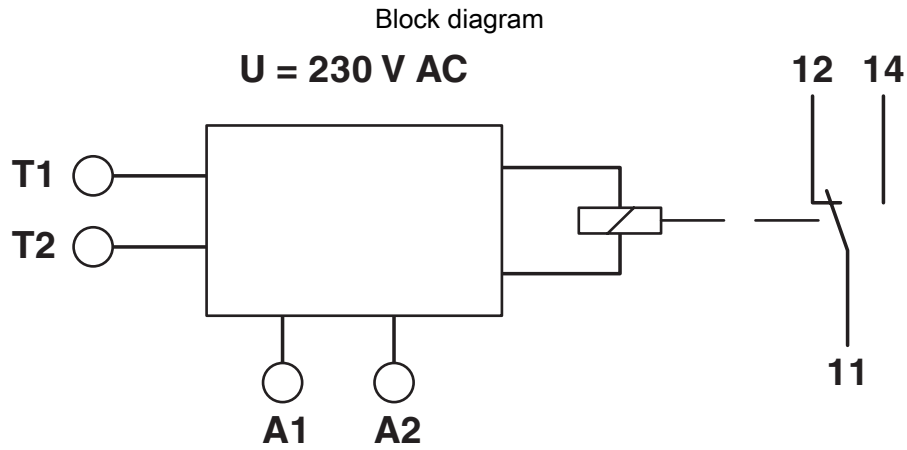
EMD-BL-PTC-PT - Monitoring relay



2906253

<https://www.phoenixcontact.com/us/products/2906253>

Drawings



EMD-BL-PTC-PT - Monitoring relay



2906253

<https://www.phoenixcontact.com/us/products/2906253>

Approvals

To download certificates, visit the product detail page: <https://www.phoenixcontact.com/us/products/2906253>



EAC

Approval ID: TR_TS_D_00573_c



EAC

Approval ID: RU*C-DE.*08.B.00010

EMD-BL-PTC-PT - Monitoring relay



2906253

<https://www.phoenixcontact.com/us/products/2906253>

Classifications

ECLASS

ECLASS-11.0	27371810
ECLASS-13.0	27371810
ECLASS-12.0	27371810

ETIM

ETIM 9.0	EC001446
----------	----------

UNSPSC

UNSPSC 21.0	39121100
-------------	----------

EMD-BL-PTC-PT - Monitoring relay



2906253

<https://www.phoenixcontact.com/us/products/2906253>

Environmental product compliance

EU RoHS

Fulfills EU RoHS substance requirements	Yes, No exemptions
---	--------------------

China RoHS

Environment friendly use period (EFUP)	EFUP-E
	No hazardous substances above the limits

EU REACH SVHC

REACH candidate substance (CAS No.)	No substance above 0.1 wt%
-------------------------------------	----------------------------

Phoenix Contact 2024 © - all rights reserved
<https://www.phoenixcontact.com>

Phoenix Contact USA
586 Fulling Mill Road
Middletown, PA 17057, United States
(+717) 944-1300
info@phoenixcon.com