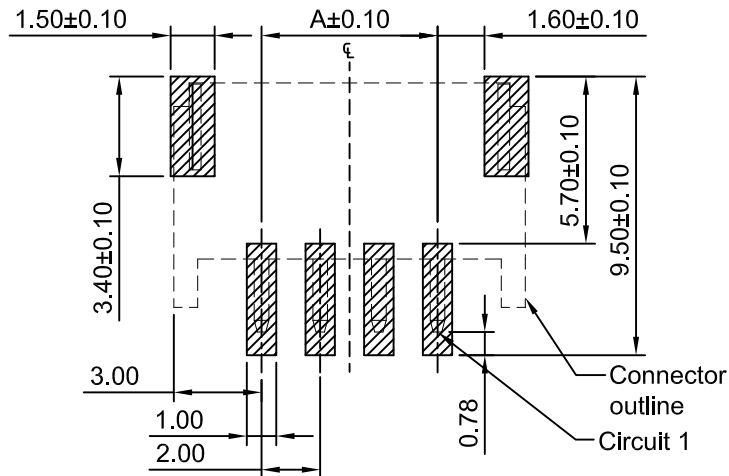
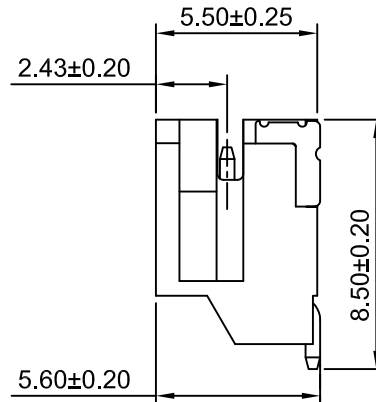
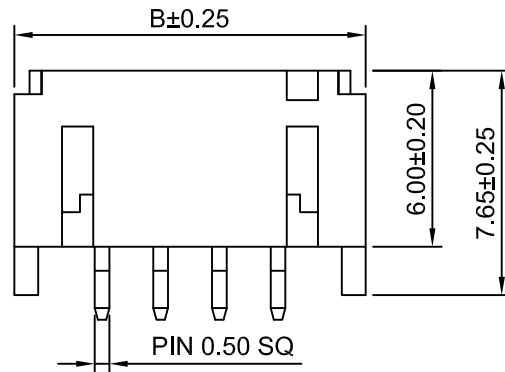
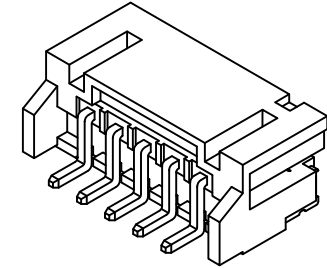
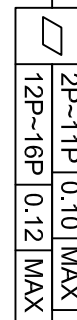


Ordering Information:
A2001WR-S-XP-LCP - *** - ***
 1 2 3

1.Part NO.
 2.Color:
 (Blank): Beige
 BK: Black BL: Blue
 RD: Red GN: Green
 3.Pin Finish:
 (Blank): Tin over Nickel
 G: Gold over Nickel



P.C.B LAYOUT(TOP VIEW)
 TOLERANCE:±0.05



SPECIFICATIONS:

Current Rating: 2A AC,DC
 Voltage Rating:100V AC,DC
 Temperature Range: -40°C ~ +105°C
 Contact Resistance: 10mΩ Max.
 Insulation Resistance: 1000MΩ Min.
 Withstanding Voltage: 800V AC/minute
 Pin Material: Brass
 Solder Tabs: Phosphor Bronze/Tin over Nickel
 Material: LCP,UL94V-0

Ordering Information & Dimensions

Part NO.	Dimensions(mm)	
	A	B
A2001WR-S-2P-LCP	2.00	8.00
A2001WR-S-3P-LCP	4.00	10.00
A2001WR-S-4P-LCP	6.00	12.00
A2001WR-S-5P-LCP	8.00	14.00
A2001WR-S-6P-LCP	10.00	16.00
A2001WR-S-7P-LCP	12.00	18.00
A2001WR-S-8P-LCP	14.00	20.00
A2001WR-S-9P-LCP	16.00	22.00
A2001WR-S-10P-LCP	18.00	24.00
A2001WR-S-11P-LCP	20.00	26.00
A2001WR-S-12P-LCP	22.00	28.00
A2001WR-S-13P-LCP	24.00	30.00
A2001WR-S-14P-LCP	26.00	32.00
A2001WR-S-15P-LCP	28.00	34.00
A2001WR-S-16P-LCP	30.00	36.00

CJTconn CHANGJIANG CONNECTORS CO.,LTD.

REV	DESCRIPTION	DATE	Unit	Scale	Sheet	TITLE	DRAWING NO.	REV
A5	CHANGE THE DRAWING	2022.01.13	mm	4:1	1 of 1	2.00mm PITCH RIGHT-ANGLE WAFER - SMT TYPE	A2001WR-S-XP-LCP	A5
A4	CHANGE THE INFORMATION&SIZE	2019.05.23	DRAWN	CHK'D	APPR			
A3	CHANGE THE DRAW NO.	2018.11.22	Wenmin Luo	Diankui Wan	Jack Yin			
A2	NEW RELEASE	2018.03.15	General Tolerances		THIRD ANGLE PROJECTION			
A3	CHANGE THE DRAW NO.	2016.04.01	x.x±0.25 x.xxx±0.20 x.xxx±0.15		ANGLES ±1°			
A0	NEW RELEASE	2005.05.10	THIRD ANGLE PROJECTION					
REV	DESCRIPTION	DATE	ANGLES ±1°					