

**Ordering Information:**

A3963WVD-F-XP-A -     -     -     -      
 1                    2                    3                    4

1.Part NO.

2.Material:

(Blank): PBT,UL94V-0(White)

GWT: Nylon 66,UL94V-0(Beige),IEC 60335-1,5th Edition  
 Glow Wire Capable.

46: Nylon 46,UL94V-0(Beige)

6T: Nylon 6T,UL94V-0(Beige)

3.Color:

(Blank): White

BK: Black

YL: Yellow

RD: Red

OR: Orange

BL: Blue

PK: Pink

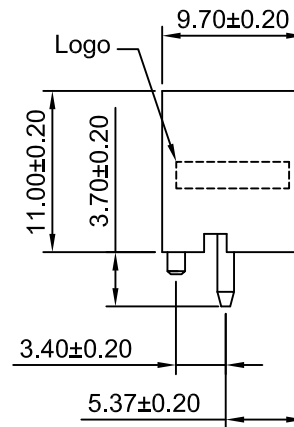
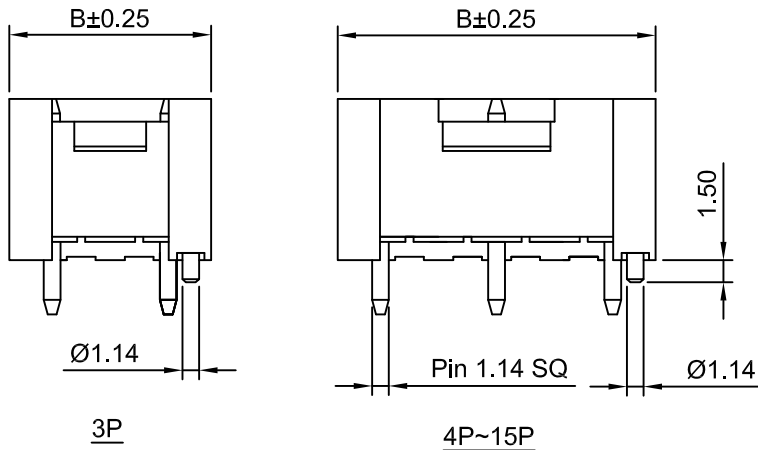
GN: Green

GY: Gray

4.Finish:

(Blank): Tin over Nickel

G: Gold over Nickel



**SPECIFICATIONS:**

Current Rating: 10A AC,DC(AWG #16)

Voltage Rating: 250V AC,DC

Temperature Range: -40°C ~ +105°C

Contact Resistance: 10mΩ Max

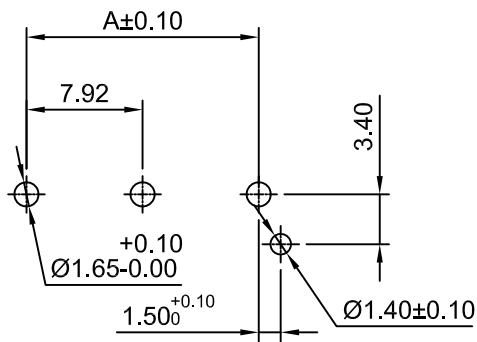
Insulation Resistance: 1000MΩ Min

Withstanding Voltage: 1500V AC/minute

Pin Material: Brass

**Ordering Information & Dimensions**

Circuits	Dimensions(mm)		Circuits	Dimensions(mm)	
	A	B		A	B
3P	7.92	13.76	11P	39.60	45.44
5P	15.84	21.68	13P	47.52	53.36
7P	23.76	29.60	15P	55.44	61.28
9P	31.68	37.52			



**P.C.B LAYOUT**  
 TOLERANCE:±0.05

REV	DESCRIPTION	DATE
A2	MODIFY DRAWING	2021.08.14
A1	UPDATE THE SIZE	2017.04.20
A0	NEW RELEASE	2005.05.24

**CJTconn** CHANGJIANG CONNECTORS CO.,LTD.

Unit	Scale	Sheet	TITLE	
mm	2:1	1 of 1	7.92mm PITCH VERTICAL DIP HEADER	
DRWN	CHK'D	APPR	DRAWING NO.	
Dengchun Yi	Djankui Wan	Jack Yin	A3963WVD-F-XP-A	
General Tolerances			THIRD ANGLE PROJECTION	REV
x.x±0.25				A2
x.xx±0.20				
x.xxx±0.15				
ANGLES ±1°				