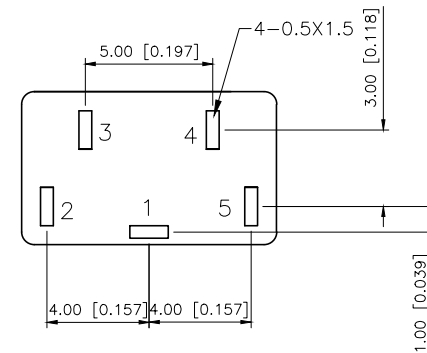
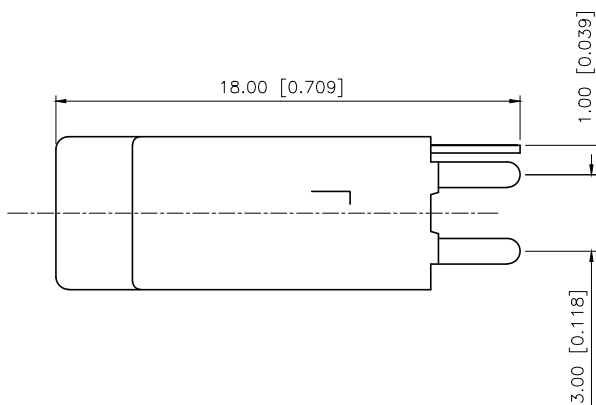
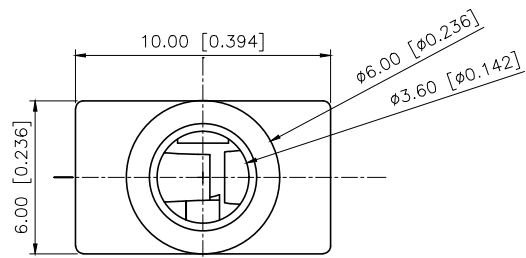
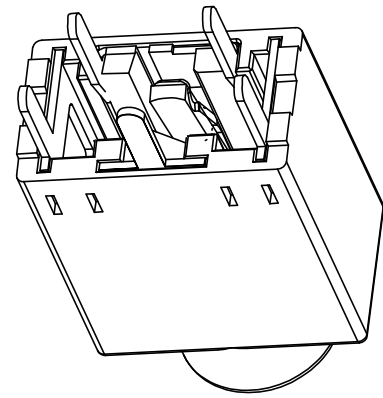
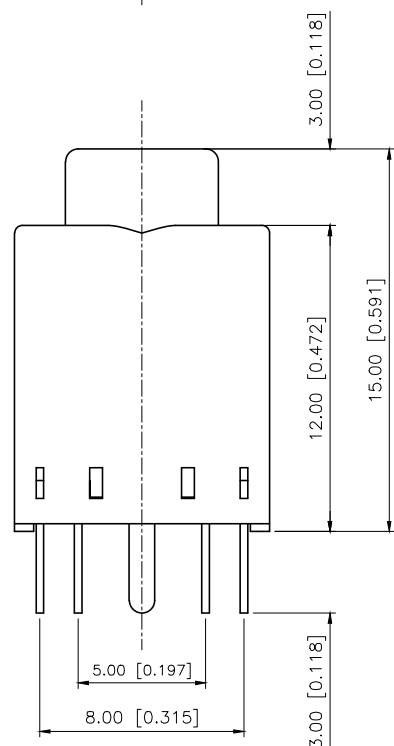


REVISIONS					
REV.	ECN NO.	LOCATION	DESCRIPTION	DATE	DESIGN
A0	N/A		INITIAL RELEASE	/	/
A1	N/A		图面升级整理图面	2025.06.27	阿树



PCB Layout



Model No.	PJ-358H-X
Schematic	
color	B:Black W:White

Technical characteristics  
 Temperature: -20°C~70°C  
 Rated load: DC30V 0.3A  
 Contact resistance: ≤30mΩ  
 Insulation resistance: ≥100MΩ  
 Actuating force: 2.2~30N  
 Life expectancy: 3000

Plastic	PBT	
Terminal 5	Phosphor Bronze	Silver
Terminal 4	Phosphor Bronze	Silver
Terminal 3	Phosphor Bronze	Silver
Terminal 2	Phosphor Bronze	Silver
Terminal 1	Phosphor Bronze	Silver
PAPT NAMF	MATERIAL	PLATING

AuGLAR	±5°
X.	±0.40
X.x	±0.30
X.xx	±0.20
X.xxx	±0.15
UNSPECIFIED TOLERANCES	



DESIGN	阿树
CHECKED	
APPROVED	

VIEW:	
UNIT:	mm/in
SIZE:	A4

MODEL TYPE:	3.5 PHONE JACK
PART NO.:	PJ-358H-X
DWG NO.:	