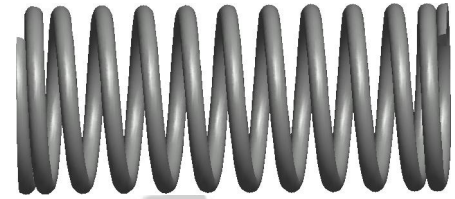
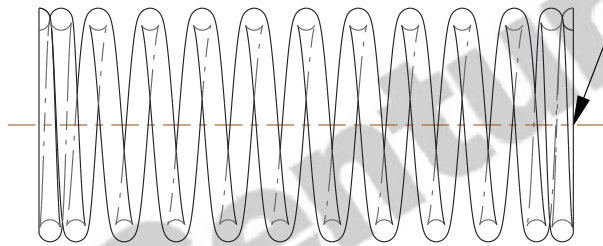


NOTES:

1. Material : Spring Steel
2. Finish : Zinc - Z
3. Ends : Closed and Ground
4. Total Coils : 12.000
5. Sugg. Max. Deflection : 0.760 (in)
6. Sugg. Max. Load : 7.700 (lbs)
7. All Drawing Dimensions are in Inches [mm]



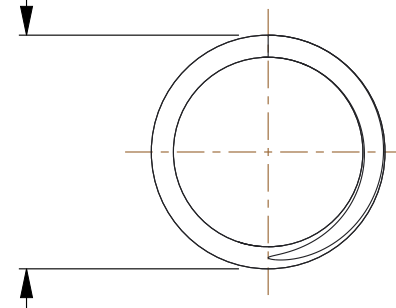
\varnothing 0.062
 [1,57]
 WIRE DIA



GROUND SURFACE

1.910
 [48,51]
 LENGTH

\varnothing 0.656
 [16,66]
 O.D



COMPONENT		SPRINGS	
<p style="text-align: center;">B15-42</p> <p style="text-align: center;">COMPRESSION SPRINGS</p>		UNIT	
		INCH [mm]	
		SHEET	
SCALE	1.855	1 of 1	