

1-2177063-1 ✓ ACTIVE

AMP+ HVP800

TE Internal #: 1-2177063-1

Housing for Male Terminals, Wire-to-Wire, 3 Position, 23 mm [.9 in]
Centerline, Sealable, Orange, Wire & Cable, Signal, AMP+ HVP800

[View on TE.com >](#)



Connectors > Automotive Connectors > Automotive Housings



Connector System: **Wire-to-Wire**

Number of Positions: **3**

Connector & Housing Type: **Housing for Male Terminals**

Centerline (Pitch): **23 mm [.9 in]**

Sealable: **Yes**

Features

Product Type Features

Mixed & Hybrid Connector	No
Connector Shape	Rectangular
Connector System	Wire-to-Wire
Connector & Housing Type	Housing for Male Terminals
Sealable	Yes
Connector & Contact Terminates To	Wire & Cable

Configuration Features

Number of Positions	3
Number of Rows	1

Electrical Characteristics

Operating Voltage	850 VDC
Nominal Voltage Architecture	12 V, 24 V, 42 V, 48 V, 80 V, 90 V, 125 V, 240 V, 500 V, 550 V, 600 V

Body Features

Cable Exit Angle	180°
------------------	------



Primary Product Color	Orange
Connector & Keying Code	A
Contact Features	
Contact Size	8mm
Contact Type	Pin
Mating Pin Diameter	8 mm [.314 in]
Mechanical Attachment	
Terminal Position Assurance	No
Strain Relief	Without
Mating Alignment Type	Keyed
Mating Alignment	With
Connector Mounting Type	Cable Mount (Free-Hanging)
Housing Features	
Housing Material	PA GF
Centerline (Pitch)	23 mm [.9 in]
Dimensions	
Connector Height	57.3 mm [2.25 in]
Product Width	92.5 mm [3.64 in]
Product Length	108 mm [4.25 in]
Usage Conditions	
Operating Temperature (Max)	140 °C [284 °F]
Operating Temperature Range	-40 – 140 °C [-40 – 284 °F]
Operation/Application	
Circuit Application	Signal
Industry Standards	
Degree of Protection	IP6K9K
Packaging Features	
Packaging Quantity	18
Packaging Method	Box
Other	
Serviceable	No

Connector Position Assurance Capable

Yes

Product Compliance

[For compliance documentation, visit the product page on TE.com>](#)

EU RoHS Directive 2011/65/EU

Compliant

EU ELV Directive 2000/53/EC

Compliant

China RoHS 2 Directive MIIT Order No 32, 2016

No Restricted Materials Above Threshold

EU REACH Regulation (EC) No. 1907/2006

Current ECHA Candidate List: JUNE 2024 (241)
Candidate List Declared Against: JAN 2024 (240)
Does not contain REACH SVHC

Halogen Content

BFR/CFR/PVC Free, but Br/Cl >900 ppm in other sources.

Solder Process Capability

Not reviewed for solder process capability

Product Compliance Disclaimer

This information is provided based on reasonable inquiry of our suppliers and represents our current actual knowledge based on the information they provided. This information is subject to change. The part numbers that TE has identified as EU RoHS compliant have a maximum concentration of 0.1% by weight in homogenous materials for lead, hexavalent chromium, mercury, PBB, PBDE, DBP, BBP, DEHP, DIBP, and 0.01% for cadmium, or qualify for an exemption to these limits as defined in the Annexes of Directive 2011/65/EU (RoHS2). Finished electrical and electronic equipment products will be CE marked as required by Directive 2011/65/EU. Components may not be CE marked. Additionally, the part numbers that TE has identified as EU ELV compliant have a maximum concentration of 0.1% by weight in homogenous materials for lead, hexavalent chromium, and mercury, and 0.01% for cadmium, or qualify for an exemption to these limits as defined in the Annexes of Directive 2000/53/EC (ELV). Regarding the REACH Regulation, the information TE provides on SVHC in articles for this part number is based on the latest European Chemicals Agency (ECHA) 'Guidance on requirements for substances in articles' posted at this URL: <https://echa.europa.eu/guidance-documents/guidance-on-reach>

Compatible Parts



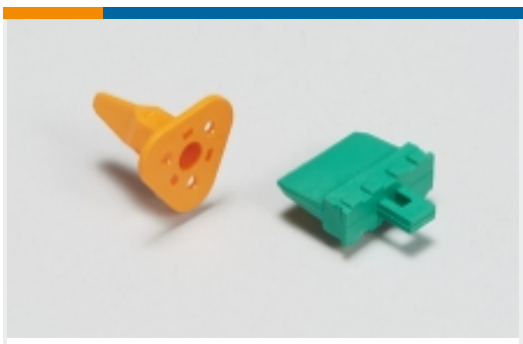
Also in the Series | [AMP+ HVP800](#)



Automotive Connector Caps & Covers (11)



Automotive Connector EMC Shielding (10)



Automotive Connector Locks & Position Assurance(1)



Automotive Housings(56)



Automotive Terminals(7)



Connector Seals & Cavity Plugs(5)



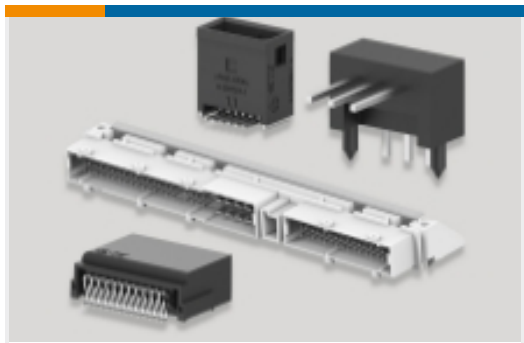
Electric, Hybrid & Fuel Cell Cable Assemblies(79)



High Voltage Wire Processing Equipment(24)



Other Automotive Connector Accessories(1)

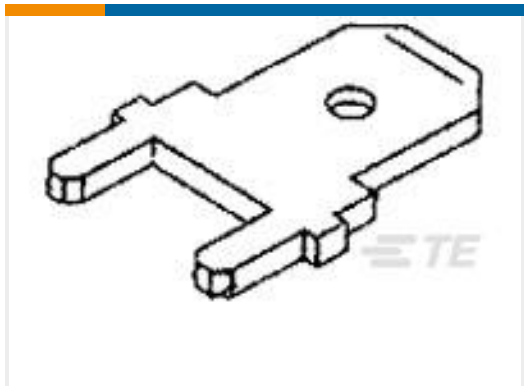


PCB Headers & Receptacles(44)

Customers Also Bought



TE Part #T4111012081-000
M12 M, 8P GOLD A_CODE S SHIELDED PG9



TE Part #63525-1
187 FASTON TAB TPBR



TE Part #2177059-1
PROTECTION CAP,180DEG



TE Part #2141230-1
3POS,PIN DIA 8.0,PIN HSG,ASSY,SLD



TE Part #0989076002
RBK-ILS-125-NR2-0-50MM



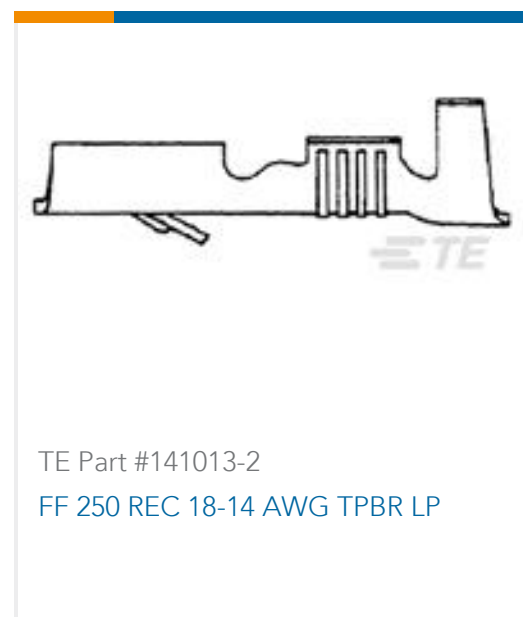
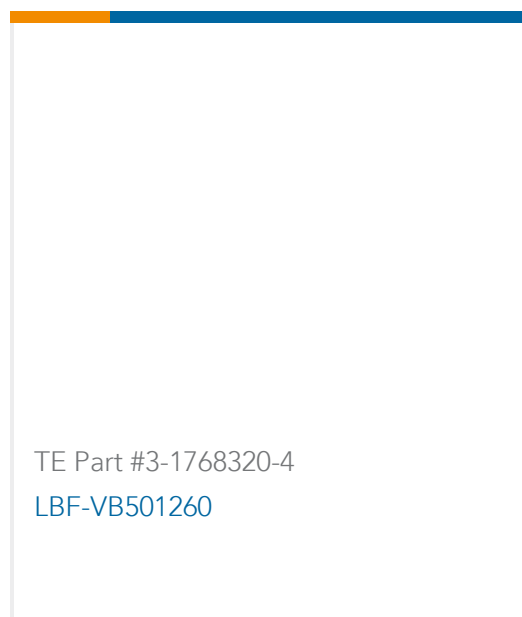
TE Part #2208608-3
8MM HV, CONTACT,ASSY



TE Part #225679-E
POWELM STIFT VOLLM M8 13 2,54 * EP 7,5 *



TE Part #2311753-1
2POS,PCON12,REC HSG ASSY, 180DEG,COD A



Documents

Product Drawings

[3POS,8MM HV,PLUG HSG,ASSY,SEALED](#)

English

CAD Files

[3D PDF](#)

3D

Customer View Model

[ENG_CVM_CVM_1-2177063-1_C.2d_dxf.zip](#)

English

Customer View Model

[ENG_CVM_CVM_1-2177063-1_C.3d_igs.zip](#)

English

Customer View Model

[ENG_CVM_CVM_1-2177063-1_C.3d_stp.zip](#)

English

By downloading the CAD file I accept and agree to the [Terms and Conditions](#) of use.

Product Specifications

[Application Specification](#)

English