

788188-2 ✓ ACTIVE

AMP | AMP CPC

TE Internal #: 788188-2

Housing, 250 VDC, Wire-to-Wire, 3 Position, Sealable, Wire & Cable, Plug, Reverse Gender, Pin, Power & Signal, AMP CPC, Circular Power Connectors

[View on TE.com >](#)



Connectors > Power Connectors > Circular Power > Circular Power Connectors > Environmentally Sealed Circular Connector, CPC Series 5



Connector Product Type: **Housing**

Operating Voltage: **250 VDC**

Connector System: **Wire-to-Wire**

Number of Positions: **3**

Sealable: **Yes**

[All Environmentally Sealed Circular Connector, CPC Series 5 \(8\)](#)

## Features

### Product Type Features

Connector Seal & Plug Type	Wire Entry Seal
Connector Product Type	Housing
Connector System	Wire-to-Wire
Sealable	Yes
Connector & Contact Terminates To	Wire & Cable
Connector & Housing Type	Plug
Circular Connector Shell Type	All Plastic

### Configuration Features

Reverse Numbering	With
Number of Positions	3
Number of Power Positions	3
Number of Signal Positions	0



### Electrical Characteristics

Operating Voltage	250 VAC
-------------------	---------

### Contact Features

Reverse Gender	Yes
Contact Type	Pin
Contact Protection	With

### Mechanical Attachment

Mating Alignment Type	Keyed
Mating Alignment	With
Mating Retention Type	Threaded Coupling
Thread Size	15/16-20 UNEF – 2A
Polarization Code	A
Mating Retention	With
Panel Mount Feature	Without

### Housing Features

Body Orientation	Straight
Housing Color	Black
Housing Material	Nylon
Circular Connector Shell Size	17

### Dimensions

Compatible Insulation Diameter Range	3.81 – 6.73 mm [.15 – .265 in]
--------------------------------------	--------------------------------

### Usage Conditions

Operating Temperature Range	-55 – 105 °C [-67 – 221 °F]
Fluid Resistance	Immersion

### Operation/Application

Circuit Application	Power & Signal
Shielded	No

### Industry Standards

UL Flammability Rating	UL 94V-0
------------------------	----------

### Packaging Features

Packaging Quantity	24
Packaging Method	Tray



## Product Compliance

For compliance documentation, visit the product page on [TE.com](#)>

EU RoHS Directive 2011/65/EU	Compliant
EU ELV Directive 2000/53/EC	Compliant
China RoHS 2 Directive MIIT Order No 32, 2016	No Restricted Materials Above Threshold
EU REACH Regulation (EC) No. 1907/2006	<p>Current ECHA Candidate List: JUNE 2024 (241)</p> <p>Candidate List Declared Against: JUNE 2024 (241)</p> <p>SVHC &gt; Threshold:</p> <p>Octamethylcyclotetrasiloxane (D4) (.5% in Component Part)</p> <p>Dodecamethylcyclohexasiloxane (D6) (.5% in Component Part)</p> <p>Decamethylcyclopentasiloxane (D5) (.5% in Component Part)</p> <p><b>Article Safe Usage Statements:</b> Wash thoroughly after handling. Recycle if possible and dispose of the article by following all applicable governmental regulations relevant to your geographic location.</p>
Halogen Content	Not Low Halogen - contains Br or Cl > 900 ppm.
Solder Process Capability	Not applicable for solder process capability

### Product Compliance Disclaimer

This information is provided based on reasonable inquiry of our suppliers and represents our current actual knowledge based on the information they provided. This information is subject to change. The part numbers that TE has identified as EU RoHS compliant have a maximum concentration of 0.1% by weight in homogenous materials for lead, hexavalent chromium, mercury, PBB, PBDE, DBP, BBP, DEHP, DIBP, and 0.01% for cadmium, or qualify for an exemption to these limits as defined in the Annexes of Directive 2011/65/EU (RoHS2). Finished electrical and electronic equipment products will be CE marked as required by Directive 2011/65/EU. Components may not be CE marked. Additionally, the part numbers that TE has identified as EU ELV compliant have a maximum concentration of 0.1% by weight in homogenous materials for lead, hexavalent chromium, and mercury, and 0.01% for cadmium, or qualify for an exemption to these limits as defined in the Annexes of Directive 2000/53/EC (ELV). Regarding the REACH Regulation, the information TE provides on SVHC in articles for this part number is based on the latest European Chemicals Agency (ECHA) 'Guidance on requirements for substances in articles' posted at this URL: <https://echa.europa.eu/guidance-documents/guidance-on-reach>

## Compatible Parts

TE Part # CAT-AM71-C83998U  
Environmentally Sealed Circular Connector, CPC Series 5

TE Part # CAT-AM71-A17  
POWERBAND Contacts

TE Part # 207299-3  
FLANGE PLUG MOUNT CPC

TE Part # CAT-AM71-C83998W  
Sealed Accessories for CPC Series 5

TE Part # CAT-AM71-C83998K  
Circular Connector, Environmentally Sealed, CPC Series 6

TE Part # 81665-2  
FLANGE GASKET CPC

TE Part # 213810-1  
CPC COUPLING RING SIZE 17

TE Part # 213900-1  
CPC SEAL ASSY KIT,SRS 6,17-10

TE Part # 213899-1  
CPC SEAL ASSY KIT,SRS 5,17-3

TE Part # 356611-1  
DIES POWERBAND CONT 8 AWG DIE SET

TE Part # 356612-1  
DIES POWERBAND CONT 14-12 AWG DIE SET

TE Part # 356611-2  
DIES POWERBAND CONT 10 AWG DIE SET

TE Part # 3-2407269-4  
CAP, CPC, SIZE 17 PLUG, YELLOW

TE Part # 3-2407269-3  
CAP, CPC, SIZE 17 PLUG, RED

TE Part # 3-2407269-2  
CAP, CPC, SIZE 17 PLUG, BLACK

TE Part # 3-2407269-1  
CAP, CPC, SIZE 17 PLUG, ORANGE

Also in the Series | AMP CPC

Circular Power Connectors(458)

Connector Backshells(1)

Connector Caps & Covers(19)

Connector Contacts(6)



Connector Hardware(12)



Connector Seals & Cavity Plugs(36)



Connector Strain Relief(60)



Insertion & Extraction Tools(1)

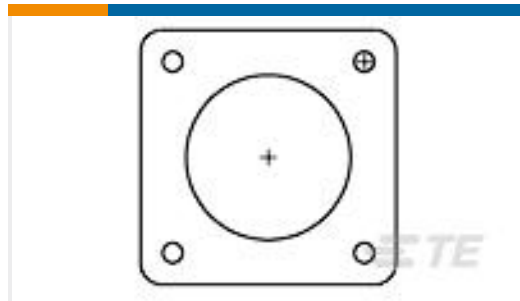


Sealing Sleeves(2)

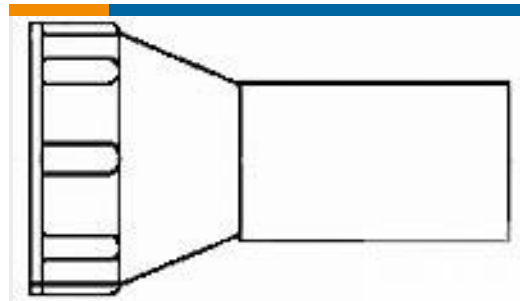
### Customers Also Bought



TE Part #213864-1  
23-37 RCPT HSG,REV SEX,CPC



TE Part #81665-5  
ECONOSEAL, FLANGE GASKET



TE Part #213933-1  
CPC,STRAIN RELIEF,SIZE 17



TE Part #350735-1  
12P UMNL PLUG HSG



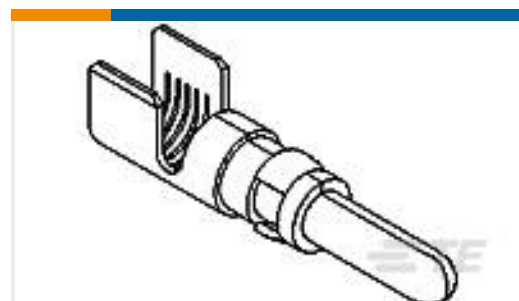
TE Part #350433-1  
12P UMNL PIN HDR ASSY NATL



TE Part #1658622-5  
24 NOVO MIL/CTR 30DP,LEAD FREE



TE Part #5-2176341-1  
CRGCQ 0805 150K 1%



TE Part #213845-3  
POWERBAND CONT ASSY,SILVER PLT



TE Part #4-1419108-2  
RTE44012F

### Documents



**Product Drawings**

[CPC 17-3 PLUG ASY,REV SEX](#)

English

---

**CAD Files**

Customer View Model

[ENG\\_CVM\\_788188-2\\_C.3d\\_igs.zip](#)

English

Customer View Model

[ENG\\_CVM\\_788188-2\\_C.3d\\_stp.zip](#)

English

Customer View Model

[ENG\\_CVM\\_788188-2\\_C.2d\\_dxf.zip](#)

English

**3D PDF**

English

**3D PDF**

3D

Customer View Model

[ENG\\_CVM\\_CVM\\_788188-2\\_G.2d\\_dxf.zip](#)

English

Customer View Model

[ENG\\_CVM\\_CVM\\_788188-2\\_G.3d\\_igs.zip](#)

English

Customer View Model

[ENG\\_CVM\\_CVM\\_788188-2\\_G.3d\\_stp.zip](#)

English

By downloading the CAD file I accept and agree to the [Terms and Conditions](#) of use.

---

**Datasheets & Catalog Pages**

[AMP Circular Connectors for Commercial Signal & Power Applications](#)

English

---

**Product Specifications**

[Product Specification](#)

English