

1-338096-1 ✓ ACTIVE

Micro-MaTch | Micro-MaTch Industrial

TE Internal #: 1-338096-1

Pin Contact, Tin, 28 – 24 AWG Wire Size, .09 – .2 mm² Wire Size, Brass, Signal, -40 – 105 °C [-40 – 221 °F], Micro-MaTch Industrial

[View on TE.com >](#)



Connectors > Contacts > Connector Contacts > Crimp Contacts - Micro-MaTch



Contact Type: **Pin**

Contact Mating Area Plating Material: **Tin**

Wire Size: **.09 – .2 mm²**

Contact Base Material: **Brass**

[All Crimp Contacts - Micro-MaTch \(4\)](#)

Features

Contact Features

Mating Tab Width	.7 mm[.027 in]
Mating Tab Thickness	.41 mm[.016 in]
Contact Type	Pin
Contact Mating Area Plating Material	Tin
Contact Base Material	Brass
Contact Current Rating (Max)	1.5 A

Termination Features

Product Terminates To	Wire & Cable
-----------------------	--------------

Dimensions

Wire Size	.09 – .2 mm ²
-----------	--------------------------

Usage Conditions

Operating Temperature Range	-40 – 105 °C[-40 – 221 °F]
-----------------------------	----------------------------

Operation/Application

Circuit Application	Signal
---------------------	--------

Packaging Features

Packaging Method	Reel
------------------	------

Product Compliance



[For compliance documentation, visit the product page on TE.com>](#)

EU RoHS Directive 2011/65/EU	Compliant
EU ELV Directive 2000/53/EC	Compliant
China RoHS 2 Directive MIIT Order No 32, 2016	No Restricted Materials Above Threshold
EU REACH Regulation (EC) No. 1907/2006	Current ECHA Candidate List: JUNE 2024 (241) Candidate List Declared Against: JUNE 2024 (241) Does not contain REACH SVHC
Halogen Content	Low Halogen - Br, Cl, F, I < 900 ppm per homogenous material. Also BFR/CFR/PVC Free
Solder Process Capability	Not applicable for solder process capability

Product Compliance Disclaimer

This information is provided based on reasonable inquiry of our suppliers and represents our current actual knowledge based on the information they provided. This information is subject to change. The part numbers that TE has identified as EU RoHS compliant have a maximum concentration of 0.1% by weight in homogenous materials for lead, hexavalent chromium, mercury, PBB, PBDE, DBP, BBP, DEHP, DIBP, and 0.01% for cadmium, or qualify for an exemption to these limits as defined in the Annexes of Directive 2011/65/EU (RoHS2). Finished electrical and electronic equipment products will be CE marked as required by Directive 2011/65/EU. Components may not be CE marked. Additionally, the part numbers that TE has identified as EU ELV compliant have a maximum concentration of 0.1% by weight in homogenous materials for lead, hexavalent chromium, and mercury, and 0.01% for cadmium, or qualify for an exemption to these limits as defined in the Annexes of Directive 2000/53/EC (ELV). Regarding the REACH Regulation, the information TE provides on SVHC in articles for this part number is based on the latest European Chemicals Agency (ECHA) 'Guidance on requirements for substances in articles' posted at this URL: <https://echa.europa.eu/guidance-documents/guidance-on-reach>

Compatible Parts



TE Part # CAT-M5833-C8684
Crimp-on-Snap-in Housing



TE Part # 734870-2
CRIMP HT, MICRO-MATCH COSI, AW

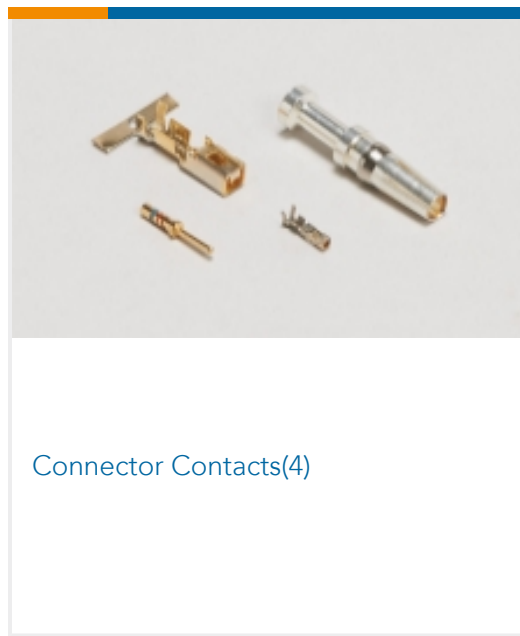


TE Part # 5-1579008-3
EXTRACTION TOOL

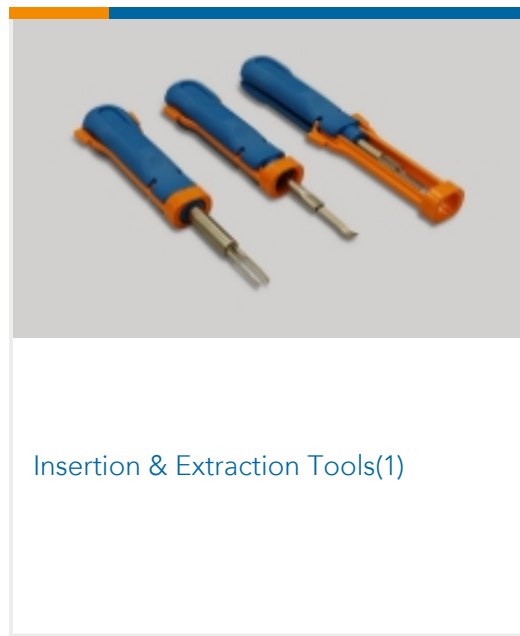
Also in the Series | Micro-MaTch Industrial



Board-In Connectors(21)



Connector Contacts(4)



Insertion & Extraction Tools(1)



Pluggable I/O Cable Assemblies(52)



Ribbon Cable Connectors(186)

Customers Also Bought



TE Part #2201855-1
MINI I/O PLUG KIT TYPE I L



TE Part #1-338095-2
MICRO-MATCH COSIHSG



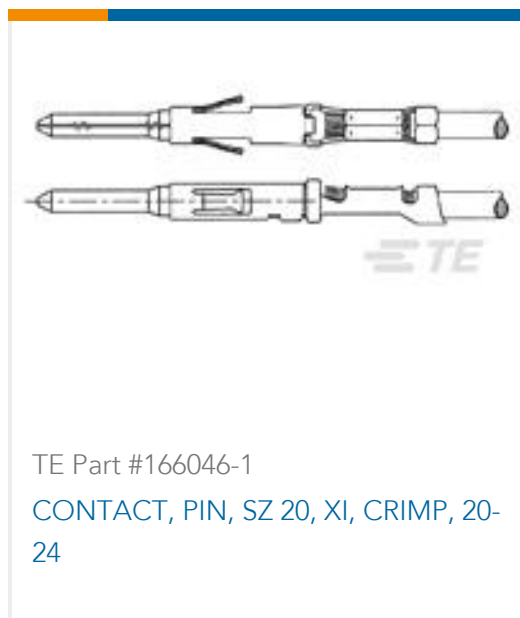
TE Part #8-188275-2
MICRO-MATCH SMD FTE



TE Part #338097-1
MICRO-MATCH COSICNT



TE Part #1623933-4
CFR50 5% 330R



TE Part #166046-1
CONTACT, PIN, SZ 20, XI, CRIMP, 20-24



TE Part #1-215083-0
MICRO-MATCH MOW.10P



TE Part #2298721-1
4P,MATE-AX,SOC HSG ASSY,180DEG, COD A

Documents

Product Drawings

[MICRO-MATCH COSI CONTACT](#)

English

CAD Files

Customer View Model

[ENG_CVM_1-338096-1_E.3d_igs.zip](#)

English

Customer View Model



[ENG_CVM_1-338096-1_E.3d_stp.zip](#)

English

Customer View Model

[ENG_CVM_1-338096-1_E.2d_dxf.zip](#)

English

3D PDF

English

By downloading the CAD file I accept and agree to the [Terms and Conditions](#) of use.

Datasheets & Catalog Pages

[Micro-MaTch Catalog](#)

English

[Ribbon Cable Interconnect Solutions](#)

English

[Centerline Micro-Match Connector Series](#)

English

Product Specifications

[micro-match crimp on snap in male on wire connector](#)

English

[Application Specification](#)

English