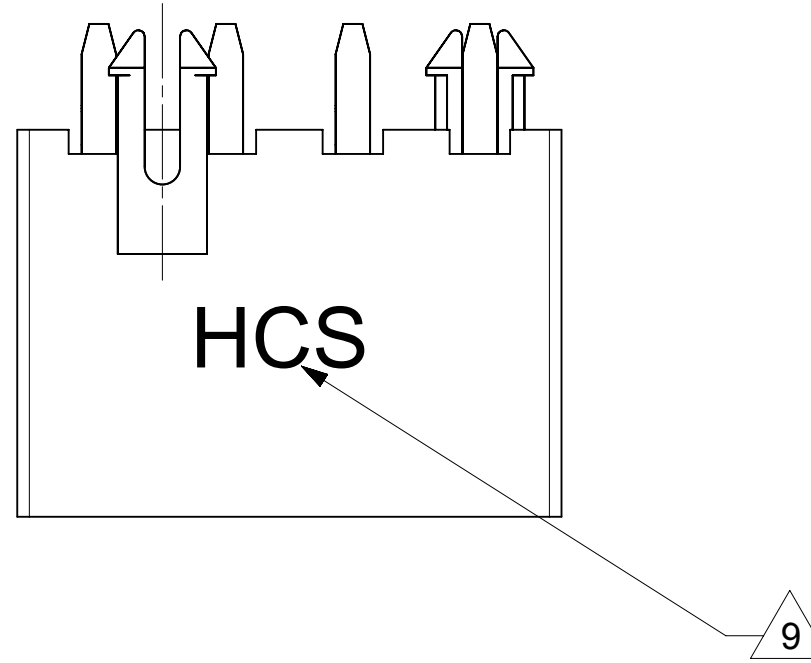
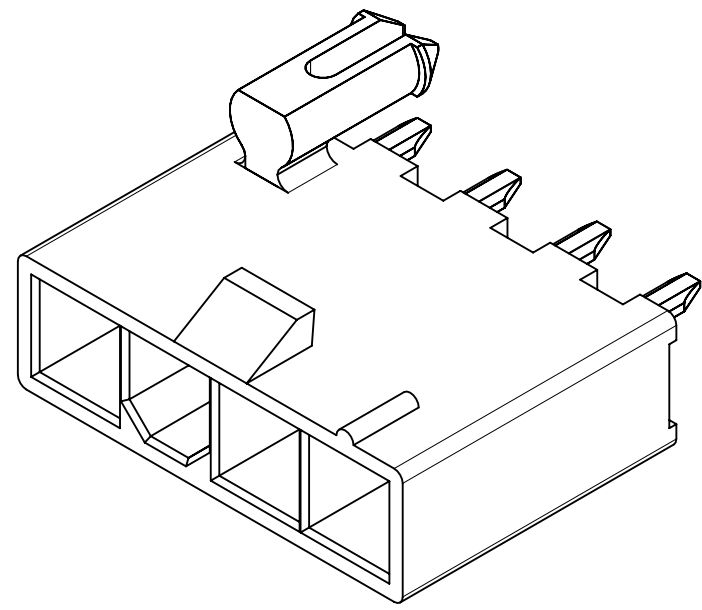
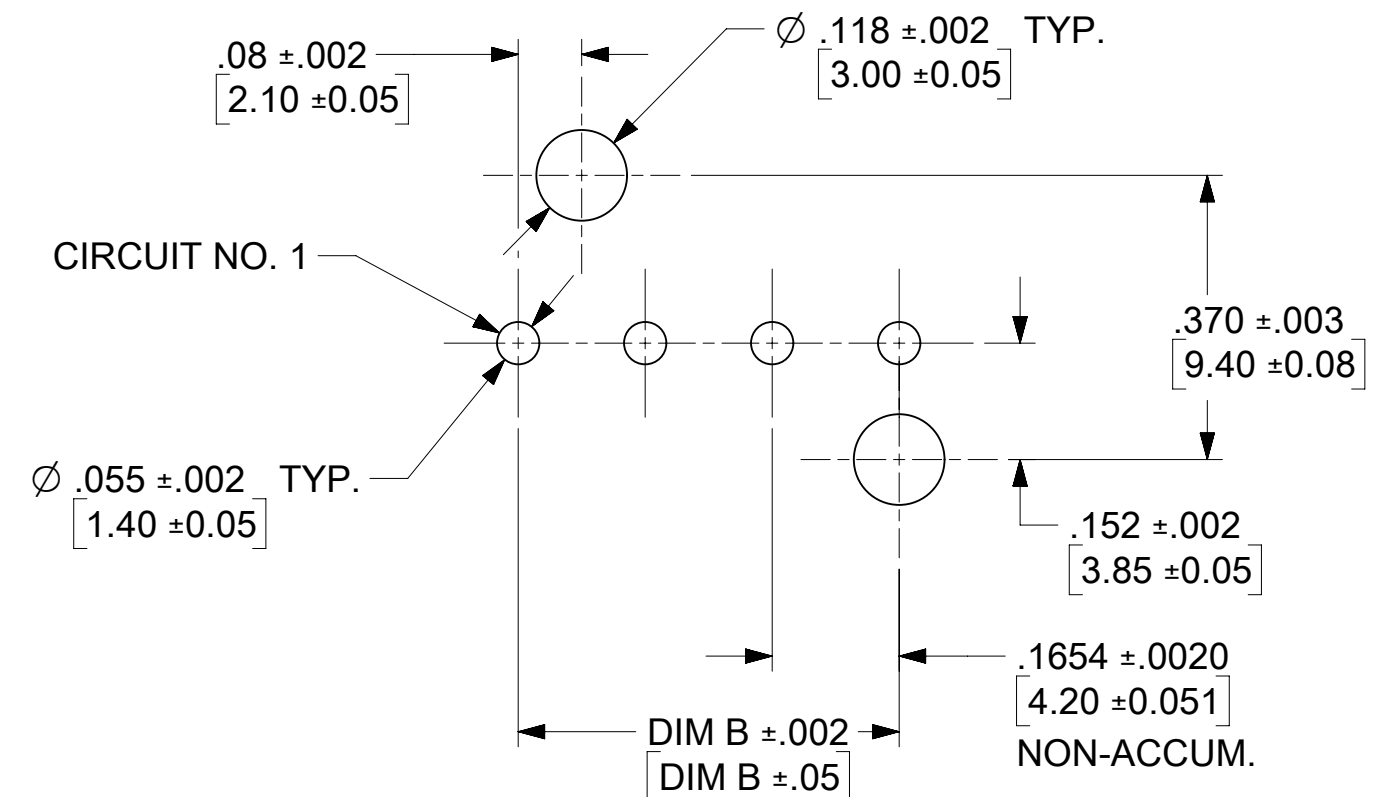
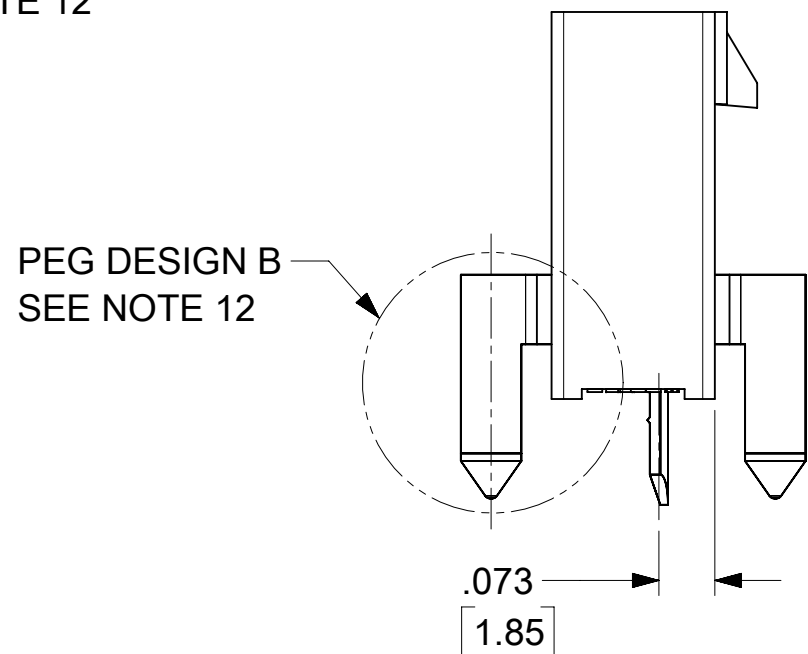
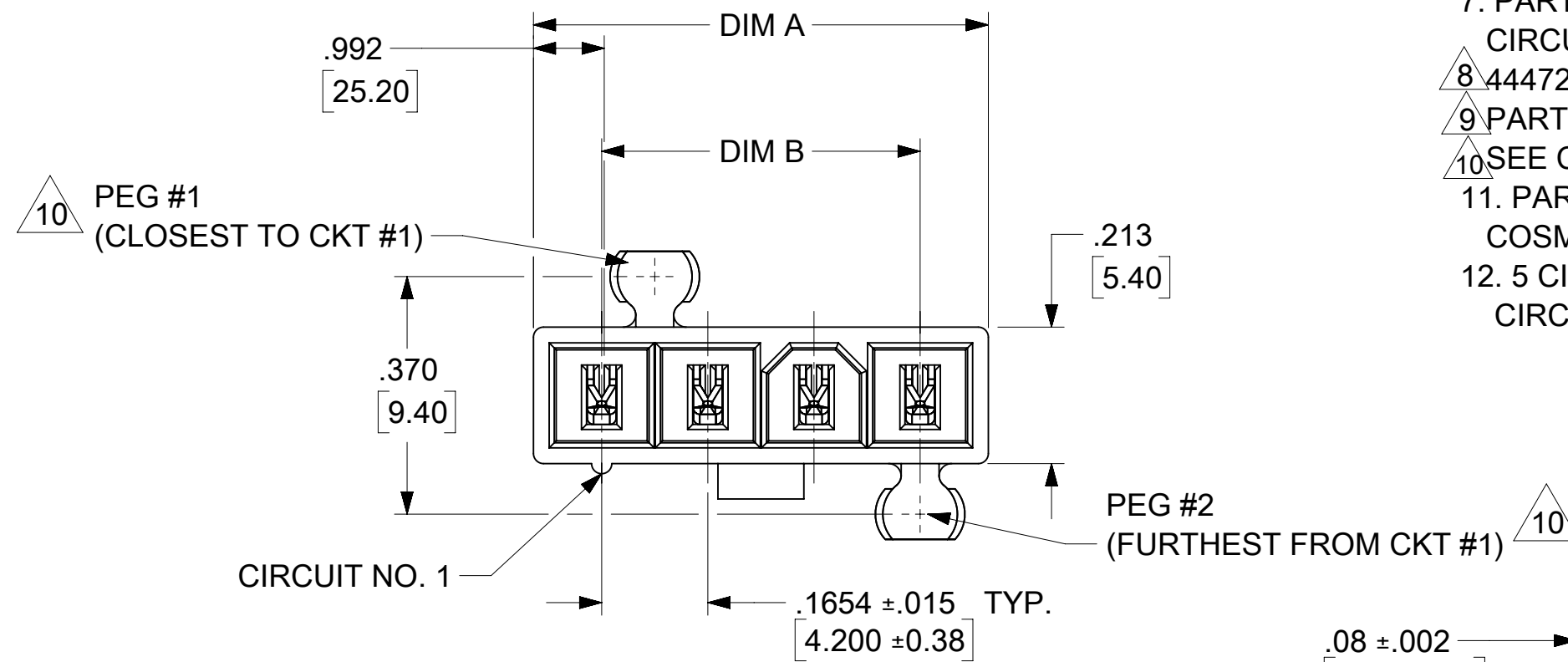
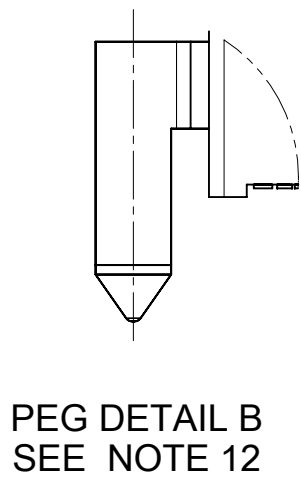


CKT SIZE	DIM "A"	DIM "B"
4	.709 [18.00]	.496 [12.60]
5	.874 [22.20]	.661 [16.80]
6	1.039 [26.40]	.827 [21.00]
7	1.205 [30.60]	.992 [25.20]
8	1.370 [34.80]	1.157 [29.40]
9	1.535 [39.00]	1.323 [33.60]
10	1.701 [43.20]	1.488 [37.80]
11	1.866 [47.40]	1.654 [42.00]
12	2.031 [51.60]	1.819 [46.20]



- NOTES:
- MATERIALS:
HOUSING:
"1"=NYLON 6/6, UL94 V-2, COLOR: NATURAL
"2"=NYLON 6/6, UL94 V-0, COLOR: NATURAL
"3"=NYLON 6/6, UL94 V-2, COLOR: BLACK
TERMINALS:
COPPER ALLOY
 - TERMINAL PLATING:
"1"=.000100/(0.00254) MIN. MATTE TIN OVER
.000050/(0.00127) MIN. NICKEL
"2"=.000030/(0.00076) MIN. SELECT GOLD AND
.000100/(0.00254) MIN. SELECT MATTE TIN
OVER .000050/(0.00127) MIN. NICKEL OVERALL
 - PRODUCT SPECIFICATION: PS-44476-001
 - PACKAGING: SEE CHARTS
 - PART MATES WITH MINI-FIT JR. RECEPTACLE NO. 5557.
 - PART IS NOT DESIGNED FOR CURRENT SHARING.
 - PARTS ARE NOT TO BE MATED OR UN-MATED WHILE CIRCUITS ARE LIVE.
 - 44472-2470 ONLY FOR WIDER LOCKING RAMP.
 - PARTS WILL HAVE "HCS" MARKING.
 - SEE CHART FOR PARTS WITH PEGS REMOVED.
 - PART CONFORMS TO CLASS "B" REQUIREMENTS OF COSMETIC SPECIFICATION PS-45499-002.
 - 5 CIRCUIT PARTS HAVE PEG DESIGN B. ALL OTHER CIRCUIT SIZES HAVE PEG DESIGN A.



RECOMMENDED HOLE LAYOUT FOR
.070/(1.78) MAX. THICK P.C. BOARD
VIEWED FROM COMPONENT SIDE

LEGEND:

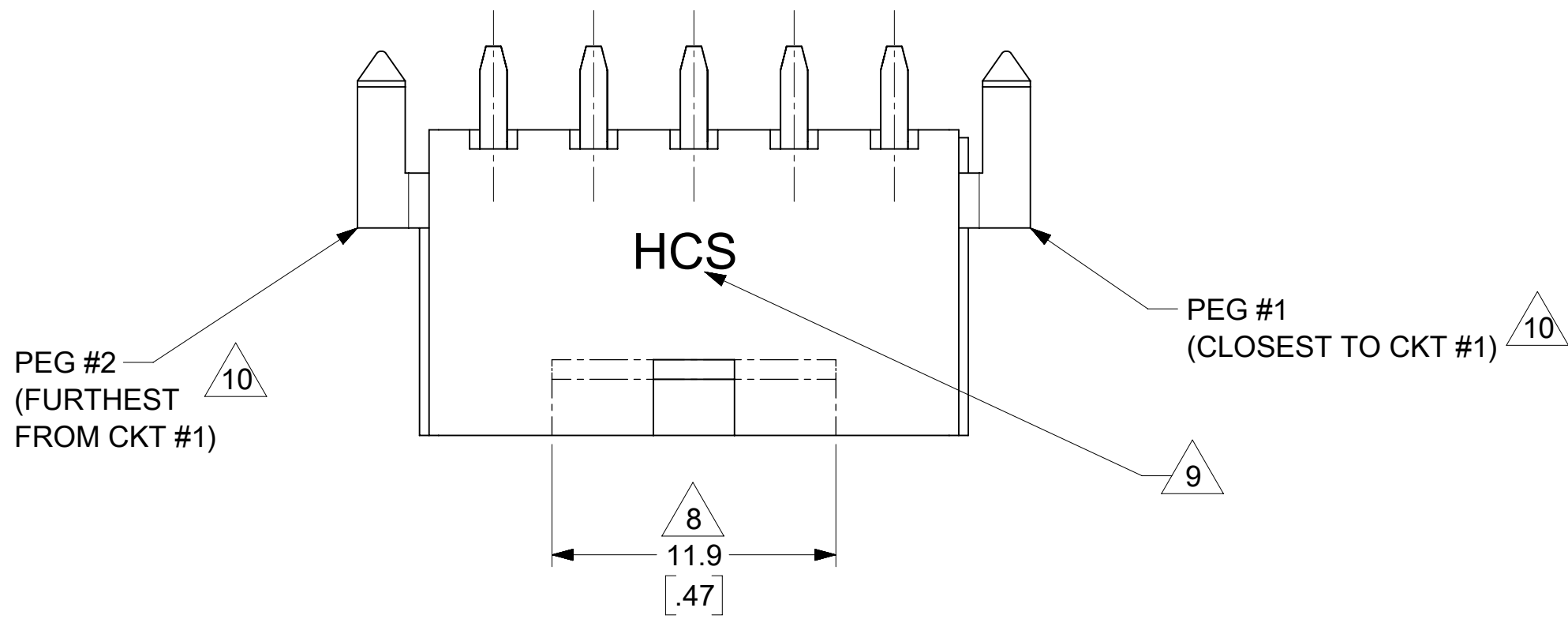
44472 - ** **

CIRCUIT SIZE
(04-12 FOR SINGLE ROW)
(02-24 FOR DUAL ROW)

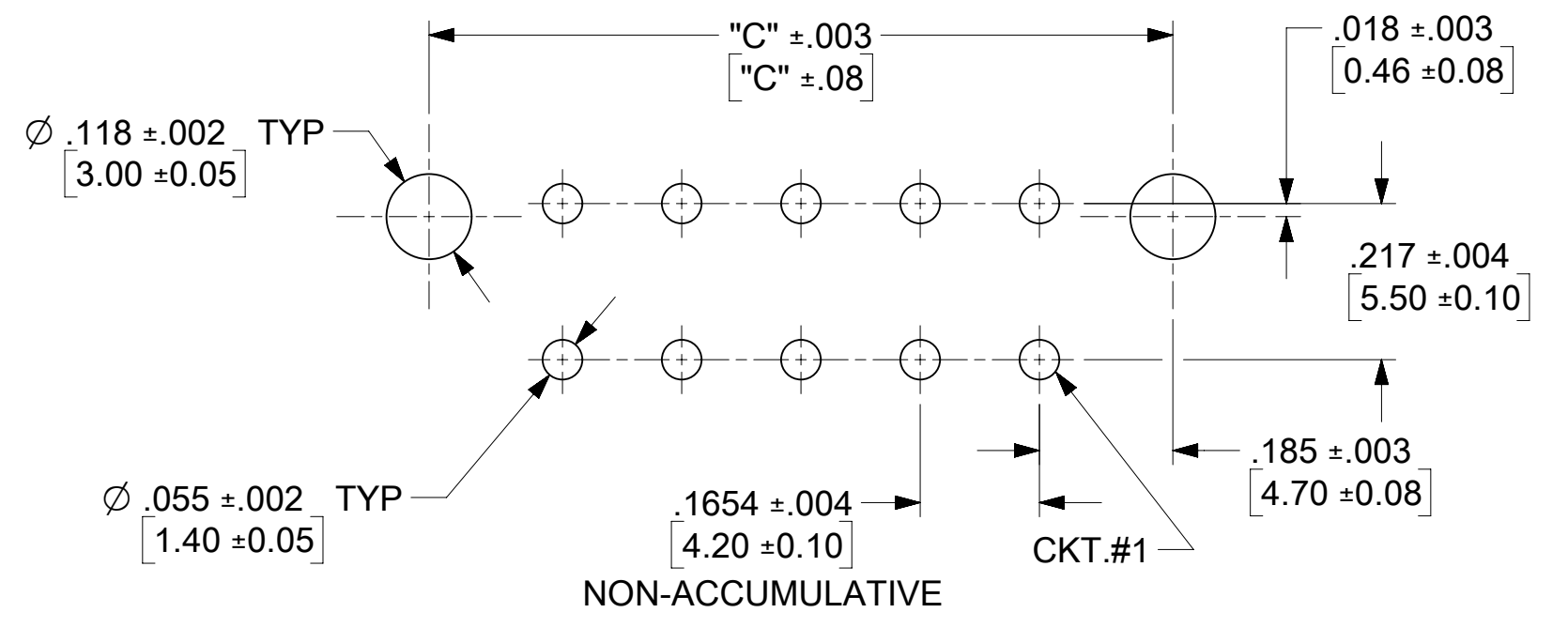
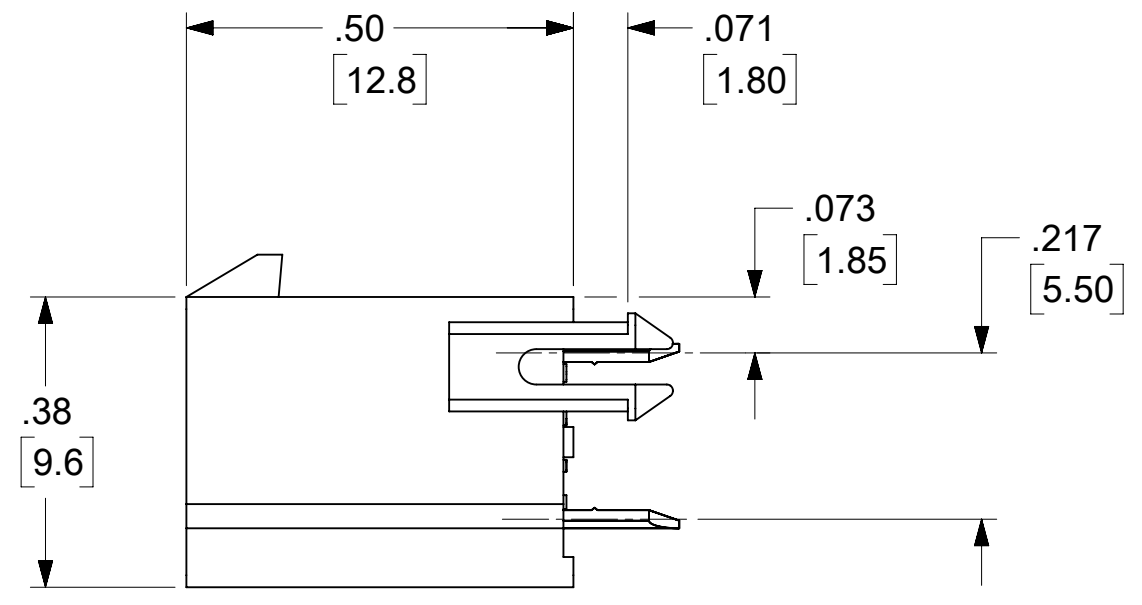
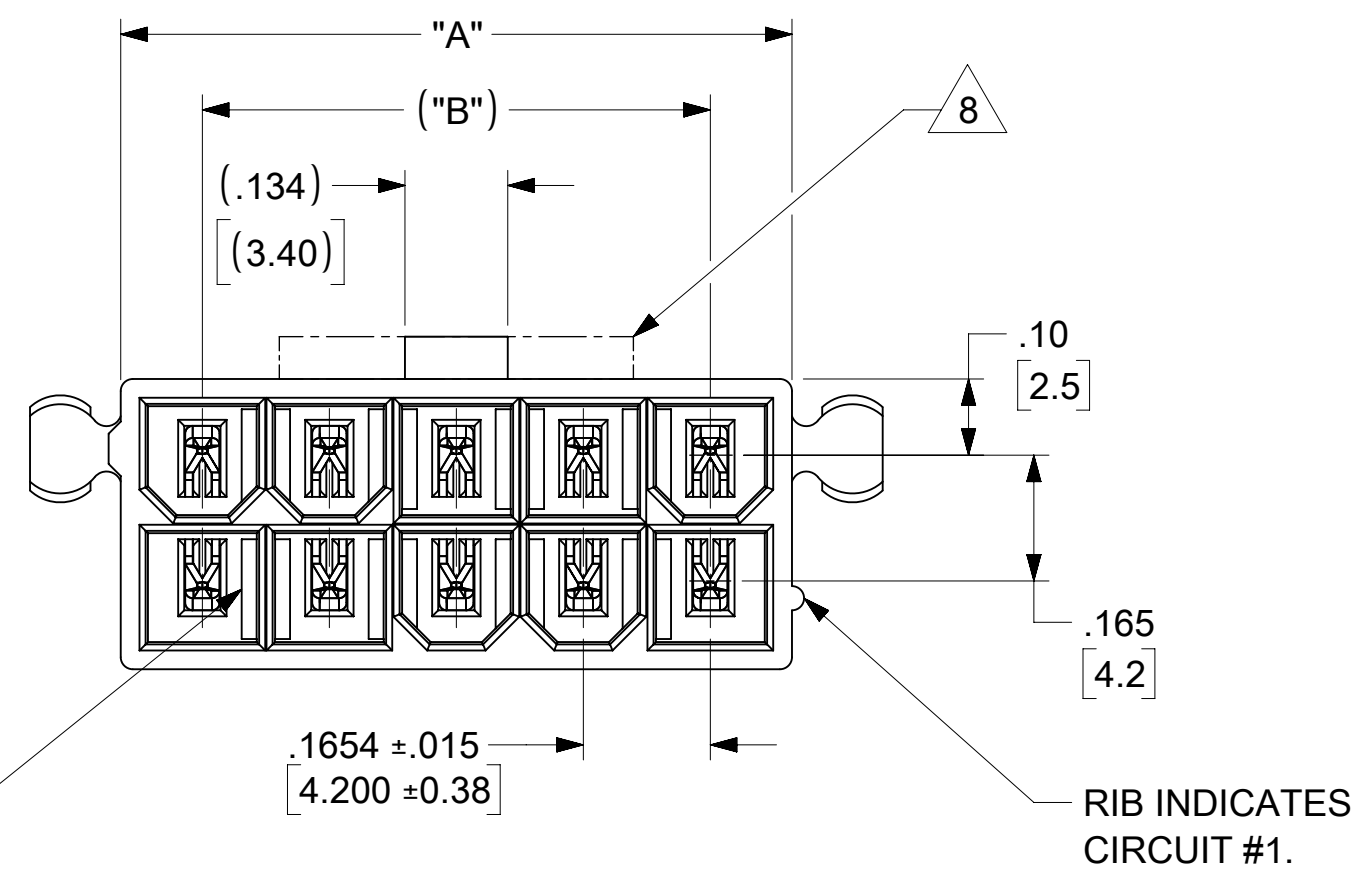
ASSEMBLY VERSION
(01 THRU 49 FOR SINGLE ROW)
(50 THRU 99 FOR DUAL ROW)

SEE SHT. 2 FOR DUAL ROW
* THE CHART FOR SINGLE ROW PRODUCT IS ON PAGE 6.

THIS DRAWING CONTAINS INFORMATION THAT IS PROPRIETARY TO MOLEX ELECTRONIC TECHNOLOGIES, LLC AND SHOULD NOT BE USED WITHOUT WRITTEN PERMISSION										
DIMENSION UNITS	SCALE	CURRENT REV DESC: SHEET 01 G11 TYPO ERROR CORRECTED FROM 18.00 TO 25.20 SHEET 04 H08 & E08 PLATING DETAIL ERROR CORRECTED FROM 1 TO 2								
INCH/MM	NTS	<p>molex</p> <p>MINI-FIT VERT HDR ASSY W & W/O PEGS SINGLE AND DUAL ROW</p> <p>PRODUCT CUSTOMER DRAWING</p>								
GENERAL TOLERANCES (UNLESS SPECIFIED)										
ANGULAR TOL	± 0.5°	EC NO:	777877	2024/02/20						
4 PLACES	±	DRWN:	VISHNM2	2024/02/23						
3 PLACES	±	CHK'D:	XQZHANG	2024/02/23						
2 PLACES	± 0.4	APPR:	XQZHANG	2024/02/23						
1 PLACE	± 0.5	INITIAL REVISION:								
0 PLACES	±	DRWN:	NGUYEN	2013/05/08						
		APPR:	FSMITH	2013/06/03						
DRAFT WHERE APPLICABLE MUST REMAIN WITHIN DIMENSIONS		THIRD ANGLE PROJECTION	DRAWING	SERIES	MATERIAL NUMBER	CUSTOMER	SHEET NUMBER			
			C-SIZE	44472	SEE TABLE	GENERAL MARKET	1 OF 8			
							DOCUMENT NUMBER	DOC TYPE	DOC PART	REVISION
							RSD-44472-XXXX	PSD	001	M6



CKT SIZE	DIM "A"	DIM "B"	DIM "C"
2	.21 [5.4]	---	.370 [9.40]
4	.38 [9.6]	.17 [4.2]	.535 [13.60]
6	.54 [13.8]	.33 [8.4]	.701 [17.80]
8	.71 [18.0]	.50 [12.6]	.866 [22.00]
10	.87 [22.2]	.66 [16.8]	1.031 [26.20]
12	1.04 [26.4]	.83 [21.0]	1.197 [30.40]
14	1.20 [30.6]	.99 [25.2]	1.362 [34.60]
16	1.37 [34.8]	1.16 [29.4]	1.528 [38.80]
18	1.54 [39.0]	1.32 [33.6]	1.693 [43.00]
20	1.70 [43.2]	1.49 [37.8]	1.858 [47.20]
22	1.87 [47.4]	1.65 [42.0]	2.024 [51.40]
24	2.03 [51.6]	1.82 [46.2]	2.189 [55.60]



RECOMMENDED HOLE LAYOUT FOR .070/(1.78) MAX. THICK P.C. BOARD VIEWED FROM COMPONENT SIDE

SEE SHT. 1 FOR SINGLE ROW

THIS DRAWING CONTAINS INFORMATION THAT IS PROPRIETARY TO MOLEX ELECTRONIC TECHNOLOGIES, LLC AND SHOULD NOT BE USED WITHOUT WRITTEN PERMISSION

DIMENSION UNITS INCH/MM	SCALE NTS	CURRENT REV DESC: SHEET 01 G11 TYPO ERROR CORRECTED FROM 18.00 TO 25.20 SHEET 04 H08 & E08 PLATING DETAIL ERROR CORRECTED FROM 1 TO 2	molex			
GENERAL TOLERANCES (UNLESS SPECIFIED)	ANGULAR TOL ± 0.5°	EC NO: 777877				
4 PLACES ±	3 PLACES ±	2 PLACES ± 0.4	MINI-FIT VERT HDR ASSY W & W/O PEGS SINGLE AND DUAL ROW			
1 PLACE ± 0.5	0 PLACES ±		PRODUCT CUSTOMER DRAWING			
DRAFT WHERE APPLICABLE MUST REMAIN WITHIN DIMENSIONS		THIRD ANGLE PROJECTION	DRAWING C-SIZE	SERIES 44472	MATERIAL NUMBER SEE TABLE	CUSTOMER GENERAL MARKET


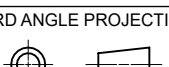
DOCUMENT NUMBER RSD-44472-XXXX	DOC TYPE PSD	DOC PART 001	REVISION M6
SHEET NUMBER 2 OF 8		SHEET NUMBER 2 OF 8	

DUAL ROW PART NUMBERS WITH MATTE TIN PLATING

WITH PEGS															
PLATING:	1 (SEE NOTE 2)			PLATING:	1 (SEE NOTE 2)			PLATING:	1 (SEE NOTE 2)			PLATING:	1 (SEE NOTE 2)		
DRAINS:	WITHOUT DRAIN HOLES			DRAINS:	WITHOUT DRAIN HOLES			DRAINS:	WITH DRAIN HOLES			DRAINS:	WITH DRAIN HOLES		
PEGS:	WITH PEGS			PEGS:	WITH PEGS			PEGS:	WITH PEGS			PEGS:	WITH PEGS		
MAT'L:	94V-2 [NATURAL]			MAT'L:	94V-0 [NATURAL]			MAT'L:	94V-2 [NATURAL]			MAT'L:	94V-0 [NATURAL]		
PACKAGING:	PK-5566-001			PACKAGING:	PK-5566-001			PACKAGING:	PK-5566-001			PACKAGING:	PK-5566-001		
ITEM NO.	CKTS	ITEM NO.	CKTS	ITEM NO.	CKTS	ITEM NO.	CKTS								
44472-0250	2	44472-0251	2	44472-0452	4	44472-0453	4								
44472-0450	4	44472-0451	4	44472-0652	6	44472-0653	6								
44472-0650	6	44472-0651	6	44472-0852	8	44472-0853	8								
44472-0850	8	44472-0851	8	44472-1052	10	44472-1053	10								
44472-1050	10	44472-1051	10	44472-1252	12	44472-1253	12								
44472-1250	12	44472-1251	12	44472-1452	14	44472-1453	14								
44472-1450	14	44472-1451	14	44472-1652	16	44472-1653	16								
44472-1650	16	44472-1651	16	44472-1852	18	44472-1853	18								
44472-1850	18	44472-1851	18	44472-2052	20	44472-2053	20								
44472-2050	20	44472-2051	20	44472-2252	22	44472-2253	22								
44472-2250	22	44472-2251	22	44472-2452	24	44472-2453	24								
44472-2450	24	44472-2451	24												

WITHOUT PEGS															
PLATING:	1 (SEE NOTE 2)			PLATING:	1 (SEE NOTE 2)			PLATING:	1 (SEE NOTE 2)			PLATING:	1 (SEE NOTE 2)		
DRAINS:	WITHOUT DRAIN HOLES			DRAINS:	WITHOUT DRAIN HOLES			DRAINS:	WITH DRAIN HOLES			DRAINS:	WITH DRAIN HOLES		
PEGS:	WITHOUT PEGS			PEGS:	WITHOUT PEGS			PEGS:	WITHOUT PEGS			PEGS:	WITHOUT PEGS		
MAT'L:	94V-2 [NATURAL]			MAT'L:	94V-0 [NATURAL]			MAT'L:	94V-2 [NATURAL]			MAT'L:	94V-0 [NATURAL]		
PACKAGING:	PK-5566-001			PACKAGING:	PK-5566-001			PACKAGING:	PK-5566-001			PACKAGING:	PK-5566-001		
ITEM NO.	HOUSING NO.	CKTS	ITEM NO.	CKTS	ITEM NO.	CKTS	ITEM NO.	CKTS							
44472-0254		2	44472-0255	2	44472-0256	2	44472-0257	2							
44472-0454		4	44472-0455	4	44472-0456	4	44472-0457	4							
44472-0654		6	44472-0655	6	44472-0656	6	44472-0657	6							
44472-0854		8	44472-0855	8	44472-0856	8	44472-0857	8							
44472-1054		10	44472-1055	10	44472-1056	10	44472-1057	10							
44472-1254		12	44472-1255	12	44472-1256	12	44472-1257	12							
44472-1454		14	44472-1455	14	44472-1456	14	44472-1457	14							
44472-1654		16	44472-1655	16	44472-1656	16	44472-1657	16							
44472-1854		18	44472-1855	18	44472-1856	18	44472-1857	18							
44472-2054		20	44472-2055	20	44472-2056	20	44472-2057	20							
44472-2254		22	44472-2255	22	44472-2256	22	44472-2257	22							
44472-2454		24	44472-2455	24	44472-2456	24	44472-2457	24							

-ITEMS PRECEDED BY AN "X" ARE NOT AVAILABLE.


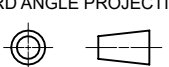
THIS DRAWING CONTAINS INFORMATION THAT IS PROPRIETARY TO MOLEX ELECTRONIC TECHNOLOGIES, LLC AND SHOULD NOT BE USED WITHOUT WRITTEN PERMISSION											
DIMENSION UNITS		SCALE		CURRENT REV DESC: SHEET 01 G11 TYPO ERROR CORRECTED FROM 18.00 TO 25.20 SHEET 04 H08 & E08 PLATING DETAIL ERROR CORRECTED FROM 1 TO 2							
INCH/MM		NTS									
GENERAL TOLERANCES (UNLESS SPECIFIED)				EC NO: 777877		2024/02/20		MINI-FIT VERT HDR ASSY W & W/O PEGS SINGLE AND DUAL ROW PRODUCT CUSTOMER DRAWING			
ANGULAR TOL ± 0.5°				DRWN: VISHNM2		2024/02/23					
4 PLACES ±				CHK'D: XQZHANG		2024/02/23		DOCUMENT NUMBER RSD-44472-XXXX			
3 PLACES ±				APPR: XQZHANG		2024/02/23					
2 PLACES ± 0.4				INITIAL REVISION:				DOC TYPE		DOC PART	
1 PLACE ± 0.5				DRWN: NNGUYEN		2013/05/08		PSD		001	
0 PLACES ±				APPR: FSMITH		2013/06/03		M6		REVISION	
DRAFT WHERE APPLICABLE MUST REMAIN WITHIN DIMENSIONS				THIRD ANGLE PROJECTION		DRAWING		SERIES		SHEET NUMBER	
						C-SIZE		44472		3 OF 8	
DOCUMENT STATUS		P1		RELEASE DATE		2024/02/23 07:13:56		MATERIAL NUMBER		CUSTOMER	
								SEE TABLE		GENERAL MARKET	

DUAL ROW PART NUMBERS WITH SELECT GOLD PLATING


WITH PEGS						
PLATING:	2 (SEE NOTE 2)		PLATING:	2 (SEE NOTE 2)		
DRAINS:	WITHOUT DRAIN HOLES		DRAINS:	WITHOUT DRAIN HOLES		
PEGS:	WITH PEGS		PEGS:	WITH PEGS		
MAT'L:	94V-2 [NATURAL]		MAT'L:	94V-0 [NATURAL]		
PACKAGING:	PK-5566-001		PACKAGING:	PK-5566-001		
	ITEM NO.		CKTS		ITEM NO.	CKTS
X	44472-0260		2	X	44472-0261	2
X	44472-0460		4	X	44472-0461	4
X	44472-0660		6	X	44472-0661	6
X	44472-0860		8	X	44472-0861	8
X	44472-1060		10	X	44472-1061	10
X	44472-1260		12	X	44472-1261	12
X	44472-1460		14	X	44472-1461	14
X	44472-1660		16	X	44472-1661	16
X	44472-1860		18	X	44472-1861	18
X	44472-2060		20	X	44472-2061	20
X	44472-2260		22	X	44472-2261	22
X	44472-2460		24		44472-2461	24

WITHOUT PEGS						
PLATING:	2 (SEE NOTE 2)		PLATING:	2 (SEE NOTE 2)		
DRAINS:	WITHOUT DRAIN HOLES		DRAINS:	WITHOUT DRAIN HOLES		
PEGS:	WITHOUT PEGS		PEGS:	WITHOUT PEGS		
MAT'L:	94V-2 [NATURAL]		MAT'L:	94V-0 [NATURAL]		
PACKAGING:	PK-5566-001		PACKAGING:	PK-5566-001		
	ITEM NO.		CKTS		ITEM NO.	CKTS
X	44472-0264		2	X	44472-0265	2
X	44472-0464		4	X	44472-0465	4
X	44472-0664		6	X	44472-0665	6
X	44472-0864		8	X	44472-0865	8
X	44472-1064		10	X	44472-1065	10
X	44472-1264		12	X	44472-1265	12
X	44472-1464		14	X	44472-1465	14
X	44472-1664		16	X	44472-1665	16
X	44472-1864		18	X	44472-1865	18
X	44472-2064		20	X	44472-2065	20
X	44472-2264		22		44472-2265	22
X	44472-2464		24	X	44472-2465	24


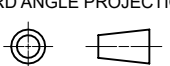
-ITEMS PRECEDED BY AN "X" ARE NOT AVAILABLE.

THIS DRAWING CONTAINS INFORMATION THAT IS PROPRIETARY TO MOLEX ELECTRONIC TECHNOLOGIES, LLC AND SHOULD NOT BE USED WITHOUT WRITTEN PERMISSION										
DIMENSION UNITS	SCALE	CURRENT REV DESC: SHEET 01 G11 TYPO ERROR CORRECTED FROM 18.00 TO 25.20 SHEET 04 H08 & E08 PLATING DETAIL ERROR CORRECTED FROM 1 TO 2								
INCH/MM	NTS									
GENERAL TOLERANCES (UNLESS SPECIFIED)		EC NO: 777877					MINI-FIT VERT HDR ASSY W & W/O PEGS SINGLE AND DUAL ROW			
ANGULAR TOL ± 0.5°		DRWN: VISHNM2 2024/02/20								
4 PLACES ±		CHK'D: XQZHANG 2024/02/23					PRODUCT CUSTOMER DRAWING			
3 PLACES ±		APPR: XQZHANG 2024/02/23								
2 PLACES ± 0.4		INITIAL REVISION:					DOCUMENT NUMBER RSD-44472-XXXX			
1 PLACE ± 0.5		DRWN: NNGUYEN 2013/05/08								
0 PLACES ±		APPR: FSMITH 2013/06/03					DOC TYPE DOC PART REVISION PSD 001 M6			
DRAFT WHERE APPLICABLE MUST REMAIN WITHIN DIMENSIONS		THIRD ANGLE PROJECTION		DRAWING		SERIES				
				C-SIZE		44472		SEE TABLE		
						GENERAL MARKET		SHEET NUMBER 4 OF 8		

DUAL ROW PART NUMBERS WITH WIDE LATCH OPTION

WITH PEGS			
PLATING:	1 (SEE NOTE 2)		
DRAINS:	WITH DRAIN HOLES		
PEGS:	WITH PEGS		
MAT'L:	94V-2 [NATURAL]		
PACKAGING:	PK-5566-001		
	ITEM NO.		CKTS
			2
X	44472-0470		4
X	44472-0670		6
X	44472-0870		8
X	44472-1070		10
X	44472-1270		12
X	44472-1470		14
X	44472-1670		16
X	44472-1870		18
X	44472-2070		20
X	44472-2270		22
	44472-2470		24

-ITEMS PRECEDED BY AN "X" ARE NOT AVAILABLE.


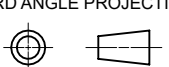
THIS DRAWING CONTAINS INFORMATION THAT IS PROPRIETARY TO MOLEX ELECTRONIC TECHNOLOGIES, LLC AND SHOULD NOT BE USED WITHOUT WRITTEN PERMISSION									
DIMENSION UNITS	SCALE	CURRENT REV DESC: SHEET 01 G11 TYPO ERROR CORRECTED FROM 18.00 TO 25.20 SHEET 04 H08 & E08 PLATING DETAIL ERROR CORRECTED FROM 1 TO 2							
INCH/MM	NTS								
GENERAL TOLERANCES (UNLESS SPECIFIED)		EC NO: 777877			MINI-FIT VERT HDR ASSY W & W/O PEGS SINGLE AND DUAL ROW				
ANGULAR TOL	± 0.5°	DRWN: VISHNM2 2024/02/20							
4 PLACES	±	CHK'D: XQZHANG 2024/02/23			PRODUCT CUSTOMER DRAWING				
3 PLACES	±	APPR: XQZHANG 2024/02/23							
2 PLACES	± 0.4	INITIAL REVISION:			DOCUMENT NUMBER RSD-44472-XXXX				
1 PLACE	± 0.5	DRWN: NNGUYEN 2013/05/08							
0 PLACES	±	APPR: FSMITH 2013/06/03			DOC TYPE PSD				
DRAFT WHERE APPLICABLE MUST REMAIN WITHIN DIMENSIONS		THIRD ANGLE PROJECTION		DRAWING					
				C-SIZE		44472		5 OF 8	
				GENERAL MARKET					

SINGLE ROW PART NUMBERS WITH PEGS

MATTE TIN PLATING											
PLATING:			PLATING:			PLATING:			PLATING:		
DRAINS:			DRAINS:			DRAINS:			DRAINS:		
PEGS:			PEGS:			PEGS:			PEGS:		
MAT'L:			MAT'L:			MAT'L:			MAT'L:		
PACKAGING:			PACKAGING:			PACKAGING:			PACKAGING:		
ITEM NO.	CKTS	ITEM NO.	CKTS	ITEM NO.	CKTS	ITEM NO.	CKTS	ITEM NO.	CKTS	ITEM NO.	CKTS
						44472-0403	4	X		44472-0404	4
					X	44472-0503	5			44472-0504	5
					X	44472-0603	6	X		44472-0604	6
					X	44472-0703	7	X		44472-0704	7
					X	44472-0803	8	X		44472-0804	8
					X	44472-0903	9	X		44472-0904	9
					X	44472-1003	10	X		44472-1004	10
					X	44472-1103	11	X		44472-1104	11
					X	44472-1203	12	X		44472-1204	12

GOLD PLATING											
PLATING:			PLATING:			PLATING:			PLATING:		
DRAINS:			DRAINS:			DRAINS:			DRAINS:		
PEGS:			PEGS:			PEGS:			PEGS:		
MAT'L:			MAT'L:			MAT'L:			MAT'L:		
PACKAGING:			PACKAGING:			PACKAGING:			PACKAGING:		
ITEM NO.	CKTS	ITEM NO.	CKTS	ITEM NO.	CKTS	ITEM NO.	CKTS	ITEM NO.	CKTS	ITEM NO.	CKTS
					X	44472-0407	4	X		44472-0408	4
					X	44472-0507	5	X		44472-0508	5
					X	44472-0607	6	X		44472-0608	6
					X	44472-0707	7	X		44472-0708	7
					X	44472-0807	8	X		44472-0808	8
					X	44472-0907	9	X		44472-0908	9
					X	44472-1007	10	X		44472-1008	10
					X	44472-1107	11	X		44472-1108	11
					X	44472-1207	12	X		44472-1208	12

-ITEMS PRECEDED BY AN "X" ARE NOT AVAILABLE.


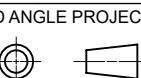
THIS DRAWING CONTAINS INFORMATION THAT IS PROPRIETARY TO MOLEX ELECTRONIC TECHNOLOGIES, LLC AND SHOULD NOT BE USED WITHOUT WRITTEN PERMISSION											
DIMENSION UNITS		SCALE		CURRENT REV DESC: SHEET 01 G11 TYPO ERROR CORRECTED FROM 18.00 TO 25.20 SHEET 04 H08 & E08 PLATING DETAIL ERROR CORRECTED FROM 1 TO 2				 <p>MINI-FIT VERT HDR ASSY W & W/O PEGS SINGLE AND DUAL ROW</p>			
INCH/MM		NTS									
GENERAL TOLERANCES (UNLESS SPECIFIED)				EC NO: 777877				2024/02/20			
ANGULAR TOL ± 0.5°				DRWN: VISHNM2				2024/02/23			
4 PLACES ±				CHK'D: XQZHANG				2024/02/23			
3 PLACES ±				APPR: XQZHANG				2024/02/23			
2 PLACES ± 0.4				INITIAL REVISION:							
1 PLACE ± 0.5				DRWN: NNGUYEN				2013/05/08			
0 PLACES ±				APPR: FSMITH				2013/06/03			
DRAFT WHERE APPLICABLE MUST REMAIN WITHIN DIMENSIONS		THIRD ANGLE PROJECTION		DRAWING		SERIES		MATERIAL NUMBER		CUSTOMER	
				C-SIZE		44472		SEE TABLE		GENERAL MARKET	
DOCUMENT STATUS		P1		RELEASE DATE		2024/02/23 07:13:56		DOCUMENT NUMBER		DOC TYPE DOC PART REVISION	
								RSD-44472-XXXX		PSD 001 M6	
										SHEET NUMBER	
										6 OF 8	

DUAL ROW PART NUMBERS 1 PEG REMOVED

PLATING:	1 (SEE NOTE 2)	PLATING:	1 (SEE NOTE 2)	PLATING:		PLATING:					
DRAINS:	WITHOUT DRAIN HOLES	DRAINS:	WITH DRAIN HOLES	DRAINS:		DRAINS:					
PEGS:	PEG #1 REMOVED	PEGS:	PEG #1 REMOVED	PEGS:	PEG #1 REMOVED	PEGS:	PEG #1 REMOVED				
MAT'L:	94V-2 [NATURAL]	MAT'L:	94V-2 [NATURAL]	MAT'L:		MAT'L:					
PACKAGING:	PK-5566-001	PACKAGING:	PK-5566-001	PACKAGING:		PACKAGING:					
	ITEM NO.	CKTS		ITEM NO.	CKTS		ITEM NO.	CKTS		ITEM NO.	CKTS
X	44472-0273	2	X	44472-0274	2			2			2
X	44472-0473	4	X	44472-0474	4			4			4
X	44472-0673	6	X	44472-0674	6			6			6
X	44472-0873	8	X	44472-0874	8			8			8
X	44472-1073	10	X	44472-1074	10			10			10
X	44472-1273	12	X	44472-1274	12			12			12
X	44472-1473	14	X	44472-1474	14			14			14
X	44472-1673	16	X	44472-1674	16			16			16
X	44472-1873	18	X	44472-1874	18			18			18
	44472-2073	20		44472-2074	20			20			20
X	44472-2273	22	X	44472-2274	22			22			22
X	44472-2473	24	X	44472-2474	24			24			24

PLATING:	1 (SEE NOTE 2)	PLATING:	1 (SEE NOTE 2)	PLATING:		PLATING:					
DRAINS:	WITHOUT DRAIN HOLES	DRAINS:	WITH DRAIN HOLES	DRAINS:		DRAINS:					
PEGS:	PEG #2 REMOVED	PEGS:	PEG #2 REMOVED	PEGS:	PEG #2 REMOVED	PEGS:	PEG #2 REMOVED				
MAT'L:	94V-2 [NATURAL]	MAT'L:	94V-2 [NATURAL]	MAT'L:		MAT'L:					
PACKAGING:	PK-5566-001	PACKAGING:	PK-5566-001	PACKAGING:		PACKAGING:					
	ITEM NO.	CKTS		ITEM NO.	CKTS		ITEM NO.	CKTS		ITEM NO.	CKTS
X	44472-0277	2	X	44472-0278	2			2			2
X	44472-0477	4	X	44472-0478	4			4			4
X	44472-0677	6	X	44472-0678	6			6			6
X	44472-0877	8	X	44472-0878	8			8			8
X	44472-1077	10	X	44472-1078	10			10			10
X	44472-1277	12	X	44472-1278	12			12			12
X	44472-1477	14	X	44472-1478	14			14			14
X	44472-1677	16	X	44472-1678	16			16			16
X	44472-1877	18	X	44472-1878	18			18			18
	44472-2077	20		44472-2078	20			20			20
X	44472-2277	22	X	44472-2278	22			22			22
X	44472-2477	24	X	44472-2478	24			24			24


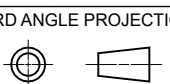
-ITEMS PRECEDED BY AN "X" ARE NOT AVAILABLE.

THIS DRAWING CONTAINS INFORMATION THAT IS PROPRIETARY TO MOLEX ELECTRONIC TECHNOLOGIES, LLC AND SHOULD NOT BE USED WITHOUT WRITTEN PERMISSION											
DIMENSION UNITS	SCALE	CURRENT REV DESC: SHEET 01 G11 TYPO ERROR CORRECTED FROM 18.00 TO 25.20 SHEET 04 H08 & E08 PLATING DETAIL ERROR CORRECTED FROM 1 TO 2									
INCH/MM	NTS	 <p>MINI-FIT VERT HDR ASSY W & W/O PEGS SINGLE AND DUAL ROW</p> <p>PRODUCT CUSTOMER DRAWING</p>									
GENERAL TOLERANCES (UNLESS SPECIFIED)											
ANGULAR TOL	± 0.5°	EC NO:	777877								
4 PLACES	±	DRWN:	VISHNM2	2024/02/20							
3 PLACES	±	CHK'D:	XQZHANG	2024/02/23							
2 PLACES	± 0.4	APPR:	XQZHANG	2024/02/23							
1 PLACE	± 0.5	INITIAL REVISION:									
0 PLACES	±	DRWN:	NGUYEN	2013/05/08							
		APPR:	FSMITH	2013/06/03							
DRAFT WHERE APPLICABLE MUST REMAIN WITHIN DIMENSIONS		THIRD ANGLE PROJECTION	DRAWING	SERIES	MATERIAL NUMBER	CUSTOMER	SHEET NUMBER				
			C-SIZE	44472	SEE TABLE	GENERAL MARKET	7 OF 8				

DUAL ROW PART NUMBERS WITH MATTE TIN PLATING
(DO NOT USE FOR NEW APPLICATION)

WITH PEGS			
PLATING:	1 (SEE NOTE 2)		
DRAINS:	WITH DRAIN HOLES		
PEGS:	WITH PEGS		
MAT'L:	94V-0 [NATURAL]		
PACKAGING:			
	ITEM NO.		CKTS
	44472-0283	O	2
	44472-0483	O	4
	44472-0683	O	6
	44472-0883	O	8
	44472-1083	O	10
	44472-1283	O	12
	44472-1483	O	14
	44472-1683	O	16
	44472-1883	O	18
	44472-2083		20
	44472-2283		22
	44472-2483	O	24

"O" OBSOLETE

THIS DRAWING CONTAINS INFORMATION THAT IS PROPRIETARY TO MOLEX ELECTRONIC TECHNOLOGIES, LLC AND SHOULD NOT BE USED WITHOUT WRITTEN PERMISSION									
DIMENSION UNITS	SCALE	CURRENT REV DESC: SHEET 01 G11 TYPO ERROR CORRECTED FROM 18.00 TO 25.20 SHEET 04 H08 & E08 PLATING DETAIL ERROR CORRECTED FROM 1 TO 2							
INCH/MM	NTS								
GENERAL TOLERANCES (UNLESS SPECIFIED)		EC NO: 777877			MINI-FIT VERT HDR ASSY W & W/O PEGS SINGLE AND DUAL ROW				
ANGULAR TOL	± 0.5°	DRWN: VISHNM2 2024/02/20			PRODUCT CUSTOMER DRAWING				
4 PLACES	±	CHK'D: XQZHANG 2024/02/23			DOCUMENT NUMBER				
3 PLACES	±	APPR: XQZHANG 2024/02/23			RSD-44472-XXXX				
2 PLACES	± 0.4	INITIAL REVISION:			DOC TYPE		DOC PART		REVISION
1 PLACE	± 0.5	DRWN: NNGUYEN 2013/05/08			PSD		001		M6
0 PLACES	±	APPR: FSMITH 2013/06/03			MATERIAL NUMBER		CUSTOMER		SHEET NUMBER
DRAFT WHERE APPLICABLE MUST REMAIN WITHIN DIMENSIONS		THIRD ANGLE PROJECTION		DRAWING	SERIES	GENERAL MARKET		8 OF 8	
				C-SIZE	44472	SEE TABLE			

DOCUMENT STATUS	P1	RELEASE DATE	2024/02/23 07:13:56
-----------------	----	--------------	---------------------