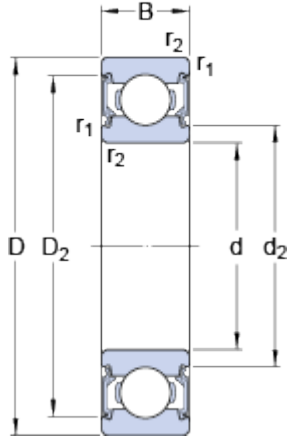


6000-2RSL

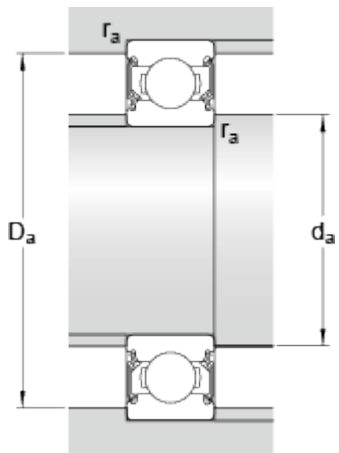
SKF Explorer

Dimensions



d	10	mm
D	26	mm
B	8	mm
d ₂	12.55	mm
D ₂	22.6	mm
r _{1,2} min.	0.3	mm

Abutment dimensions



d _a min.	12	mm
d _a max.	12.5	mm
D _a max.	24	mm
r _a max.	0.3	mm

Calculation data

Basic dynamic load rating	C	4.8	kN
Basic static load rating	C ₀	2	kN
Fatigue load limit	P _u	0.083	kN
Reference speed		67000	r/min
Limiting speed		34000	r/min
Calculation factor	k _r	0.025	
Calculation factor	f ₀	12	

Mass

