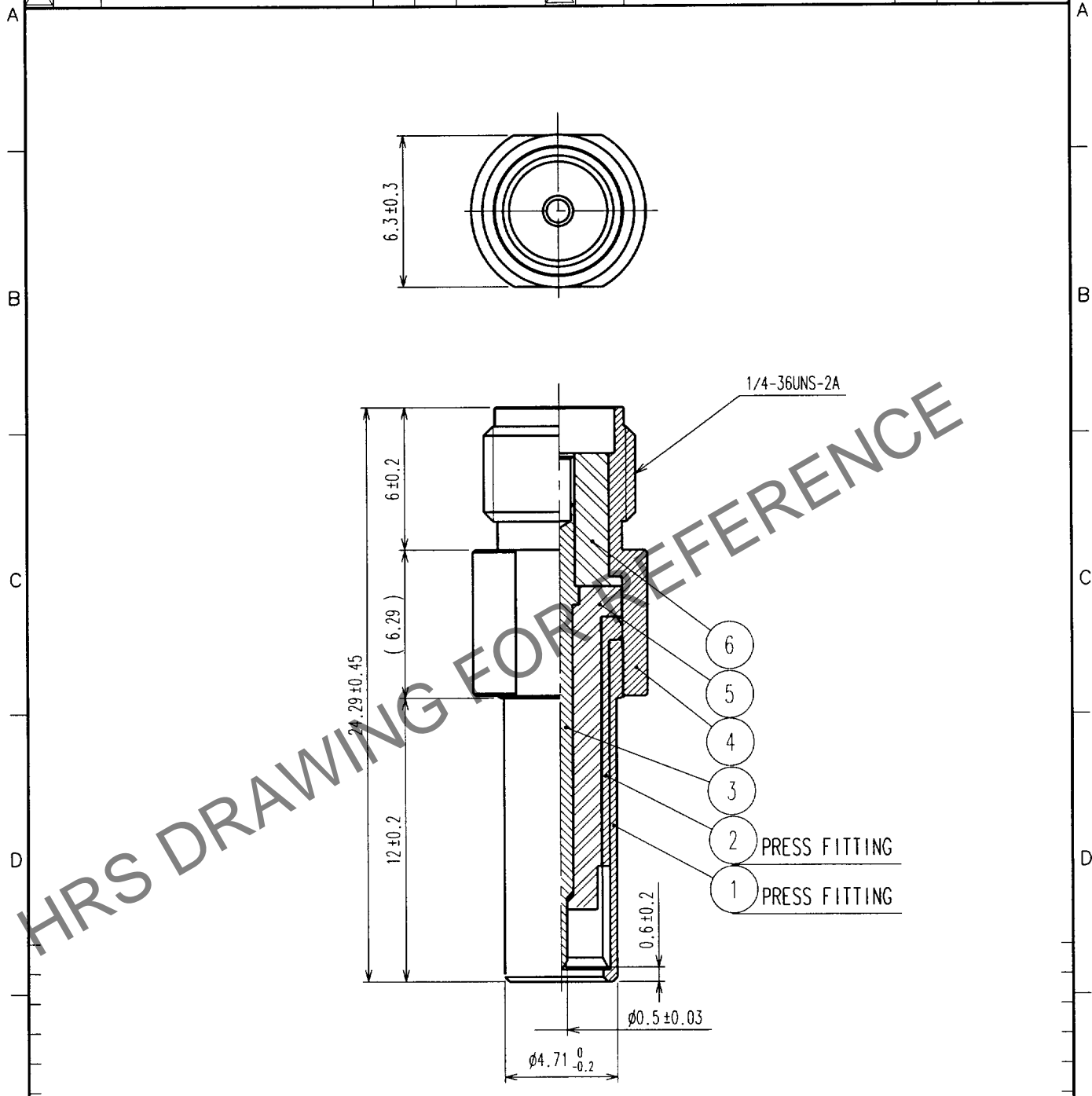


Jul.1.2024 Copyright 2024 HIROSE ELECTRIC CO., LTD. All Rights Reserved.
 In case of consideration for using Automotive equipment / device which demand high reliability, kindly contact our sales window correspondents.

1		2			3			4		
COUNT	DESCRIPTION OF REVISIONS	BY	CHKD	DATE	COUNT	DESCRIPTION OF REVISIONS	BY	CHKD	DATE	
△				..	△				..	
△					△				..	
△					△				..	



NOTE1. FOR THE USE OF THIS PRODUCT, PUSH IT ON MS-147

3	BERYLLIUM COPPER	GOLD	6	PTFE	
2	PHOSHOR BRONZE	NICKL	5	PTFE	
1	PHOSHOR BRONZE	NICKL	4	STAINLESS STEEL	PASSIVSATE
NO.	MATERIAL	FINISH, REMARKS	NO.	MATERIAL	FINISH, REMARKS

CODE NO. (OLD)	DRAWN	DESIGNED	CHECKED	APPROVED	RELEASED
	<i>K. Hida</i>	<i>K. Hida</i>	<i>R. Kano</i>	<i>Y. Miyake</i>	
	77.2.6	77.2.6	77.8.6	77.8.6	

DRAWING NO.	PART NO.
EDC4-180146	MS-147-HRMJ-1
UNITS	CODE NO.
mm	CL358-0151-8

TO
RFD

