

Label holder, flat, Frame rounded off at the bottom, black, for labeling plate 17.5 mm x 27 mm for gluing, Z=100-unit packaging

product brand name	SIRIUS ACT
product designation	Label holder
design of the product	for labeling plate 17.5 x 27 mm
product type designation	3SU1
<b>General technical data</b>	
protection class IP	IP66, IP67, IP69(IP69K)
degree of protection NEMA rating	1, 2, 3, 3R, 4, 4X, 12
shock resistance for railway applications acc. to DIN EN 61373	Category 1, Class B
vibration resistance for railway applications acc. to DIN EN 61373	Category 1, Class B
<b>Installation/ mounting/ dimensions</b>	
height	49.8 mm
width	29.8 mm
<b>Accessories</b>	
material of accessory	Plastic
shape of label holder	rounded below
color of label holder	Black
fastening method of label	stick
<b>Certificates/ approvals</b>	
<b>Further information</b>	

Information- and Downloadcenter (Catalogs, Brochures,...)

<https://www.siemens.com/ic10>

Industry Mall (Online ordering system)

<https://mall.industry.siemens.com/mall/en/en/Catalog/product?mlfb=3SU1900-0AH10-0AA0-Z X90>

Cax online generator

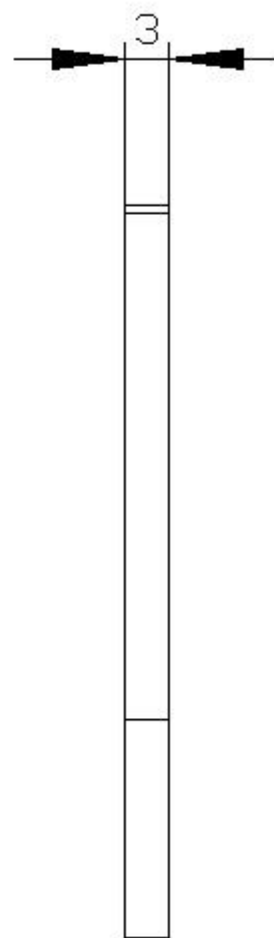
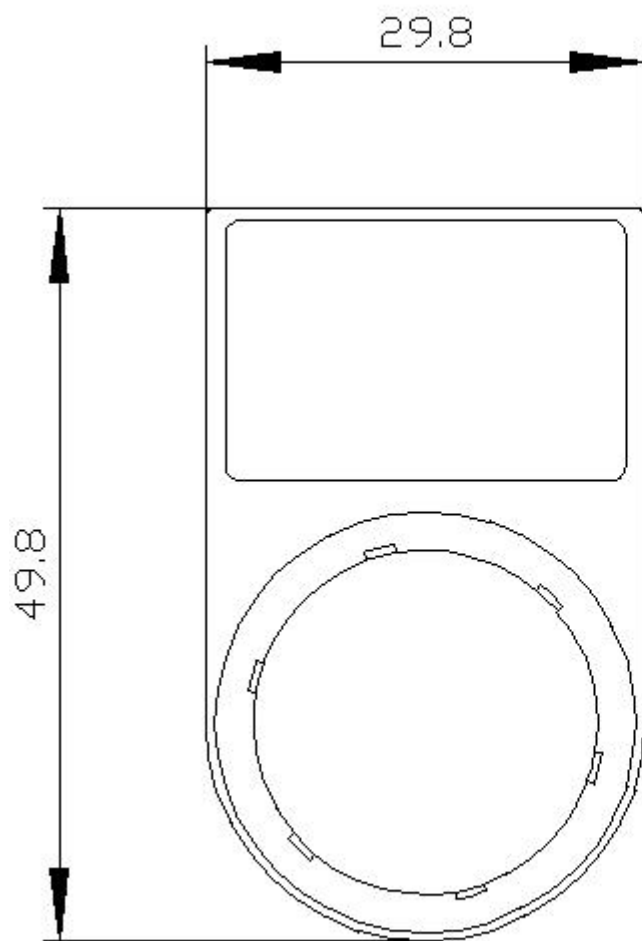
<http://support.automation.siemens.com/WW/CAXorder/default.aspx?lang=en&mlfb=3SU1900-0AH10-0AA0-Z X90>

Service&Support (Manuals, Certificates, Characteristics, FAQs,...)

<https://support.industry.siemens.com/cs/ww/en/ps/3SU1900-0AH10-0AA0-Z X90>

Image database (product images, 2D dimension drawings, 3D models, device circuit diagrams, EPLAN macros, ...)

[http://www.automation.siemens.com/bilddb/cax\\_de.aspx?mlfb=3SU1900-0AH10-0AA0-Z X90&lang=en](http://www.automation.siemens.com/bilddb/cax_de.aspx?mlfb=3SU1900-0AH10-0AA0-Z X90&lang=en)



last modified:

1/17/2021 