



Alcoswitch | Alcoswitch DIP TDS

TE Internal #: 2319747-1

Gold, Black, High Temperature Nylon, 4 Switch, -20 – 85 °C, DIP, Slide Actuator Style, Alcoswitch DIP TDS, DIP & SIP Switches

[View on TE.com >](#)

Switches > DIP & SIP Switches



Switch Contact Plating Material: **Gold**

Case Color: **Black**

Case Material: **High Temperature Nylon**

Sealed Device: **No**

Number of Switches: **4**

## Features

### Product Type Features

Sealed Device	No
DIP & SIP Switch Type	DIP
Actuator Style	Slide

### Configuration Features

Number of Positions	4
Number of Switches	4
Configuration (Pole-Throw)	Single Pole - Three Throw

### Electrical Characteristics

Contact Current Rating	.025 A
Operating Voltage	24 VDC

### Body Features

Actuator Color	White
Product Orientation	Vertical
Case Color	Black



Case Material	High Temperature Nylon
---------------	------------------------

### Contact Features

Switch Contact Plating Material	Gold
Contact Base Material	Copper Alloy

### Termination Features

Termination Method to PCB	Surface Mount
---------------------------	---------------

### Housing Features

Centerline (Pitch)	2.54 mm[.1 in]
--------------------	----------------

### Dimensions

Product Length	11.32 mm[.446 in]
Product Height	3.7 mm[.146 in]

### Usage Conditions

Operating Temperature Range	-20 – 85 °C
-----------------------------	-------------

### Packaging Features

Packaging Quantity	41
Packaging Method	Tube

## Product Compliance

[For compliance documentation, visit the product page on TE.com>](#)

EU RoHS Directive 2011/65/EU	Compliant
EU ELV Directive 2000/53/EC	Compliant
China RoHS 2 Directive MIIT Order No 32, 2016	No Restricted Materials Above Threshold
EU REACH Regulation (EC) No. 1907/2006	Current ECHA Candidate List: JUNE 2024 (241) Candidate List Declared Against: JAN 2024 (240) Does not contain REACH SVHC
Halogen Content	Low Halogen - Br, Cl, F, I < 900 ppm per homogenous material. Also BFR/CFR/PVC Free
Solder Process Capability	Not reviewed for solder process capability

#### Product Compliance Disclaimer

This information is provided based on reasonable inquiry of our suppliers and represents our current actual knowledge based on the information they provided. This information is subject to change. The part numbers that TE has identified as EU RoHS compliant have a maximum concentration of 0.1% by weight in homogenous materials for lead, hexavalent

chromium, mercury, PBB, PBDE, DBP, BBP, DEHP, DIBP, and 0.01% for cadmium, or qualify for an exemption to these limits as defined in the Annexes of Directive 2011/65/EU (RoHS2). Finished electrical and electronic equipment products will be CE marked as required by Directive 2011/65/EU. Components may not be CE marked. Additionally, the part numbers that TE has identified as EU ELV compliant have a maximum concentration of 0.1% by weight in homogenous materials for lead, hexavalent chromium, and mercury, and 0.01% for cadmium, or qualify for an exemption to these limits as defined in the Annexes of Directive 2000/53/EC (ELV). Regarding the REACH Regulation, the information TE provides on SVHC in articles for this part number is based on the latest European Chemicals Agency (ECHA) 'Guidance on requirements for substances in articles' posted at this URL: <https://echa.europa.eu/guidance-documents/guidance-on-reach>

## Compatible Parts



TE Part # 1-2319747-6  
TRI-STATE DIP 4P G RAISED T&R



TE Part # 2319747-7  
TRI-STATE DIP 5P G RECESS TUBE



TE Part # 2-2319747-7  
TRI-STATE DIP 5P G RECESS SEAL T&R



TE Part # 2-2319747-8  
TRI-STATE DIP 8P G RECESS SEAL T&R



TE Part # 2319747-4  
TRI-STATE DIP 9P G RAISED TUBE



TE Part # 2-2319747-9  
TRI-STATE DIP 9P G RECESS SEAL T&R



TE Part # 1-2319747-0  
TRI-STATE DIP 10P G RECESS TUBE



TE Part # 3-2319747-0  
TRI-STATE DIP 10P G RECESS SEAL T&R



TE Part # 2-2319747-1  
TRI-STATE DIP 4P G RECESS T&R



TE Part # 2319747-6  
TRI-STATE DIP 4P G RECESS TUBE



TE Part # 2-2319747-6  
TRI-STATE DIP 4P G RECESS SEAL T&R



TE Part # 1-2319747-1  
TRI-STATE DIP 4P G RECESS SEAL TUBE



TE Part # 1-2319747-7  
TRI-STATE DIP 5P G RAISED T&R



TE Part # 2319747-2  
TRI-STATE DIP 5P G RAISED TUBE



TE Part # 2-2319747-2  
TRI-STATE DIP 5P G RECESS T&R



TE Part # 1-2319747-2  
TRI-STATE DIP 5P G RECESS SEAL TUBE



TE Part # 1-2319747-8  
TRI-STATE DIP 8P G RAISED T&R



TE Part # 2319747-3  
TRI-STATE DIP 8P G RAISED TUBE



TE Part # 2-2319747-3  
TRI-STATE DIP 8P G RECESS T&R



TE Part # 2319747-8  
TRI-STATE DIP 8P G RECESS TUBE

Also in the Series | Alcoswitch DIP TDS



DIP & SIP Switches(30)

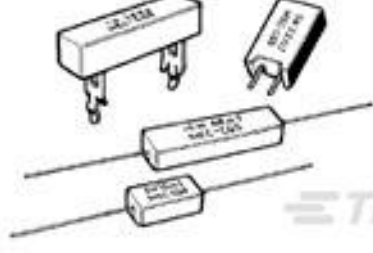
Customers Also Bought



TE Part #1367073-2  
20 POS SMT CONN, SFP, 30AU



TE Part #2-2176057-6  
RLP73K 3A R11 1% 1K RL



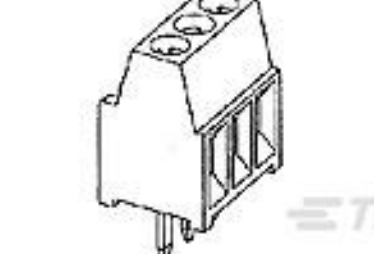
TE Part #1623785-8  
SQM10 470R 5% (WIRE)



TE Part #1558661-3  
T9GV1L14-12



TE Part #350429-1  
03P UMNL PIN HDR ASSY NATL



TE Part #282834-2  
TERMI-BLOK PCB MOUNT, 90 2P.



TE Part #1676153-1  
RN 0805 10K 0.1% 10PPM CUT LENGTH



TE Part #4-1393763-0  
V23100V4324C000



TE Part #5-146280-3  
03 MODII HDR SRST B/A .100CL



## Documents

### Product Drawings

[TRI-STATE DIP 4P G RAISED TUBE](#)

English

---

### CAD Files

[3D PDF](#)

3D

Customer View Model

[ENG\\_CVM\\_CVM\\_2319747-1\\_B.2d\\_dxf.zip](#)

English

Customer View Model

[ENG\\_CVM\\_CVM\\_2319747-1\\_B.3d\\_igs.zip](#)

English

Customer View Model

[ENG\\_CVM\\_CVM\\_2319747-1\\_B.3d\\_stp.zip](#)

English

By downloading the CAD file I accept and agree to the [Terms and Conditions](#) of use.

---

### Datasheets & Catalog Pages

[ALCOSWITCH DIP Swtich TDS Series](#)

English