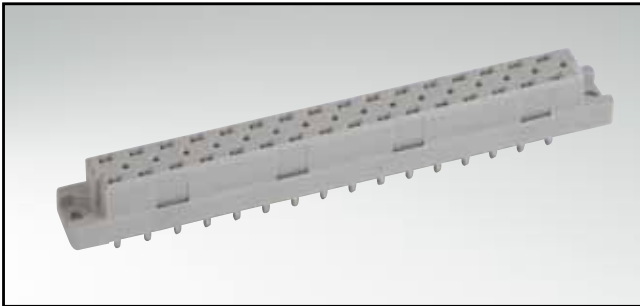


TYPE D

Female connector – straight – 16 and 32 positions

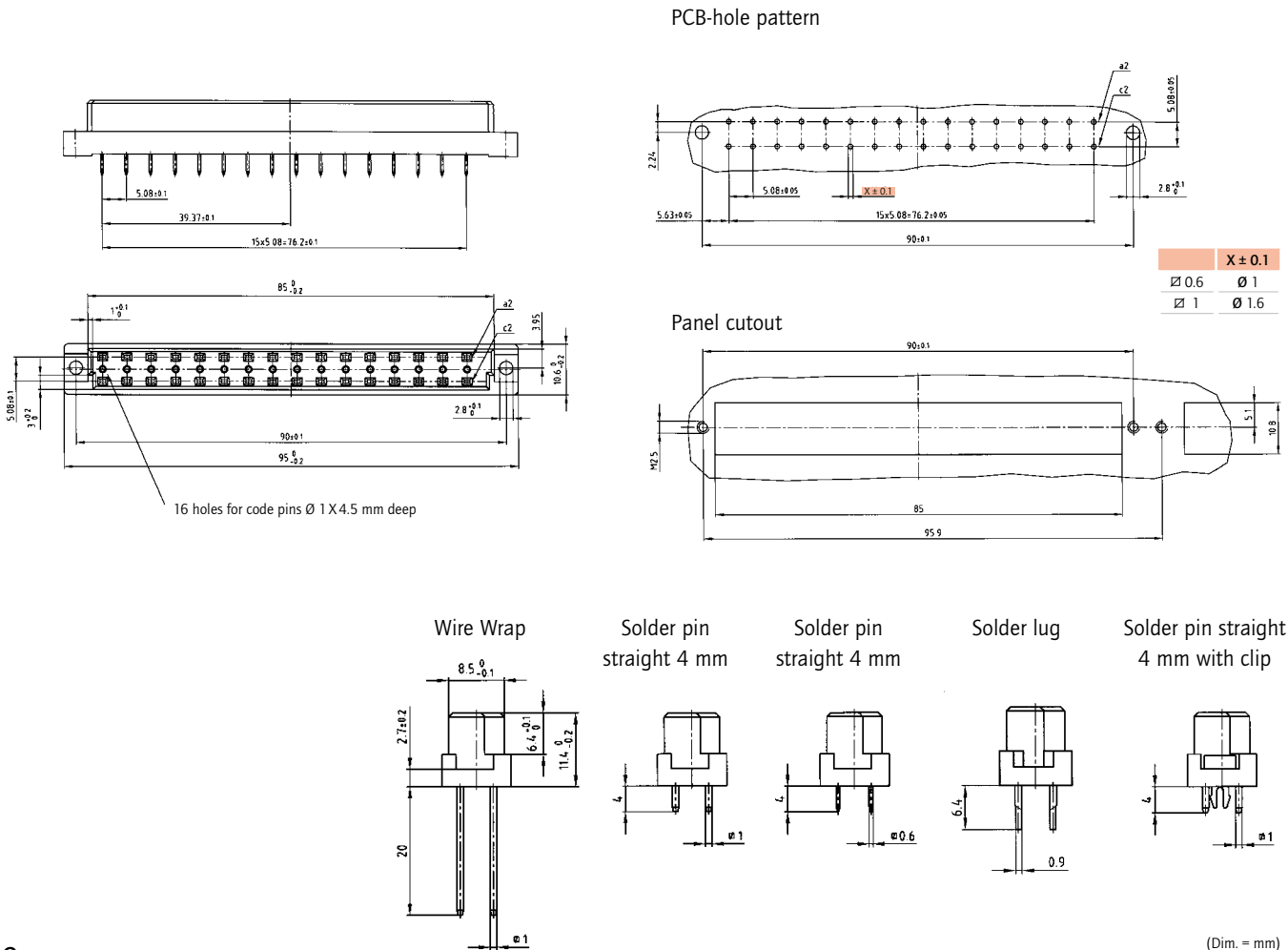


RoHS compliant

DESCRIPTION

- Solder pin, wire wrap and solder lug
- Quality class 3 (also available in quality class 2 or 1)
- Special assembly on request

PRODUCT DRAWING



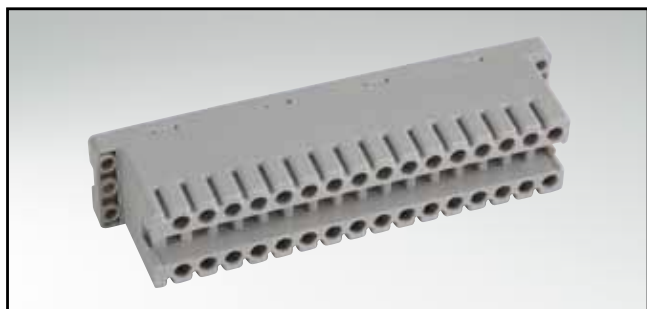
ORDER DATA

No. of Pos.	Row	• = contact, + = no contact				Wire Wrap	Solder pin straight 4.0 mm ∇ 1 mm	Solder pin straight 4.0 mm ∇ 0.6 mm	Solder lug	Solder pin straight 4mm ∇ 1mm w. clip
		Pos.	2	4	6					
16	a		•	+	•	•	•	•	•	•
	c		•	+	•	•	•	•	•	•
32	a		•	•	•	•	•	•	•	•
	c		•	•	•	•	•	•	•	•

Clip for hole diameter 2.8 + 0.1 mm, PCB thickness = 1.6 mm

TYPE D WITH SCREW TERMINATION

Female connector – straight – 32 positions

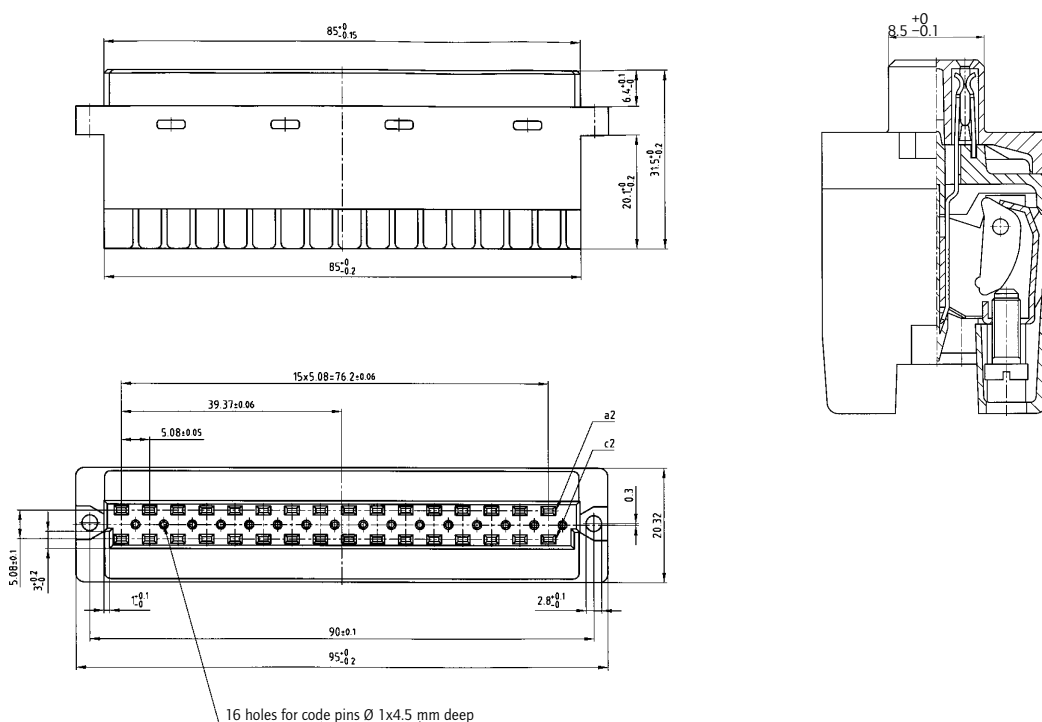


RoHS compliant

TECHNICAL DATA

Conductor size:	AWG 24 to 16
Operating voltage:	6 A
Rated voltage:	300 / 250 V~
Insulator:	PBT GF grey
Operating temperature:	-55°C to +120°C
Flammability:	UL 94 V-0
Material:	Copper alloy
Contact plating:	Quality class 2
Screw connection:	Steel

PRODUCT DRAWING



(Dim. = mm)

ORDER DATA

No. of Pos.	Row	Female connector	Latches with strain relief angled	Latches without strain relief straight
32	c a	122 B 13029 X	12-500600	12-500590