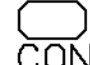
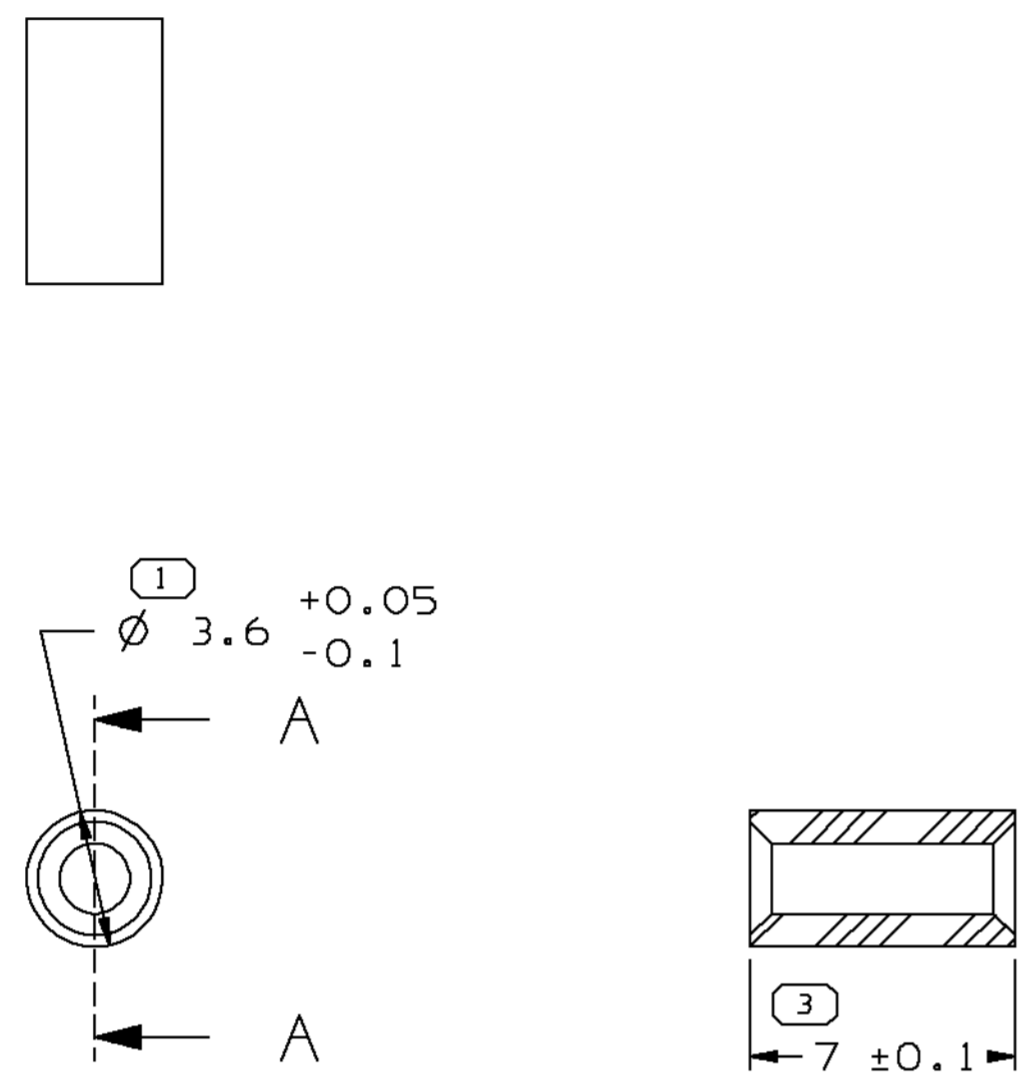


DELPHI PACKARD ELECTRIC SYSTEMS
 WARREN, OHIO 44486

| SYMBOL DEFINITION | | |
|--|----------------------------------|---|
| A DIMENSION WITHOUT AN INSPECTION REPORT SYMBOL  DOES NOT REQUIRE INSPECTION. IT MAY BE CONTROLLED ON THE INDIVIDUAL COMPONENT DRAWING. | TOTAL NO OF INSPECTIONS REQUIRED | 2 |
| | LAST NO. USED | 3 |

| MISSING SYMBOLS | DWG STATUS | | | | | ZONE | REVISION HISTORY | AUTH | DR | CK | APVD |
|-----------------|------------|-----|-----|-----|-----|------|---|--------|-----|-----|------|
| | DATE | STG | REV | CHG | N/P | | | | | | |
| 2 | 15MY01 | R | 001 | - | - | | WAS PE091183 AND RELEASED | 208914 | CJP | CJP | BS |
| | 09JA02 | R | 002 | - | - | | REVISED MATL SPEC WAS R0100256 PBT GF15 IM-GRN | 218647 | MAC | MAC | WLS |

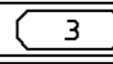


SECTION A - A


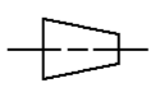
SCALE 2:1

NOTES

- UNLESS OTHERWISE SPECIFIED AND/OR INDICATED:
DIMENSIONS ARE TO FACE OF VIEW SHOWN AND AUTOMATICALLY ROUNDED BY COMPUTER FOR INSPECTION (SEE MATH MODEL FOR PRECISE DIMENSIONS). FOR ALL OTHER DIMENSIONS NOT SHOWN BUT REQUIRED FOR TOOL BUILD, SEE MATH MODEL FOR PRECISE TOOL PATH DATA.
- MATERIAL RECYCLING CODE >PBT GF15< PER SAE J1344 TO APPEAR ON PART.
- MATING COMPONENTS OR EQUIVALENT:
CONNECTOR 15359261 AND 15409454

 PROCESS SENSITIVE DIMENSION
 DIMENSIONS ENCLOSED IN () INDICATE REFERENCE DIMENSIONS AND NO TOLERANCE LIMITS ARE ESTABLISHED

| DIMENSIONAL RANGE (MM) | | CHART E | | | | |
|--------------------------------------|----|---------|------|------|------|-------|
| FROM | TO | 0 | > 20 | > 30 | > 70 | > 100 |
| TOLERANCE UNLESS OTHERWISE SPECIFIED | | ±0.15 | ±0.2 | ±0.3 | ±0.4 | ±0.5 |
| ANGULAR TOLERANCE ± 2° | | | | | | |

| | | | |
|---|---|---------------------------------|--------------------------------------|
| DELPHI Automotive Systems | | | |
| MATERIAL SPEC R0100254 PBT GF15 IM-BLUE | | | |
| SUBSTANCES OF CONCERN AND RECYCLED CONTENT PER DELPHI-A 01949001 | | | |
| PART DRAWING | | | DISTR CODE D |
| CODE NUMBER 6901 | DWG DATE 15MY01 | SCALE 5:1 | |
| QC SPEC | STYLE | VOLUME cm ³ 0.042 | |
| PART GEOMETRY 3D SOLID | UNLESS OTHERWISE SPECIFIED: THIS DOCUMENT IS IN ACCORDANCE WITH ASME Y14.5M - 1994 AS AMENDED BY THE GM GLOBAL DIMENSIONING AND TOLERANCING ADDENDUM - 1997. ALL GEOMETRIC TOLERANCES AND RELATED DATUMS APPLY RFS. RULE #1 (PERFECT FORM AT MMC) DOES NOT APPLY WHEN RELATIONSHIP BETWEEN FEATURES IS ESTABLISHED BY ORIENTATION OR LOCATION TOLERANCES. SEPARATE POSITION CALLOUTS MAY BE GAGED SEPARATELY REGARDLESS OF DATUM REFERENCES. | | |
|  CHANGE RESTRICTED NO MANUAL CHANGES | REFERENCE | DR | DATE |
| COPY OF MATH DATA DO NOT SCALE | | APVD1 CHUCK PAPAS | 15MY01 |
| | | APVD2 CHUCK PAPAS | 15MY01 |
| METRIC UNLESS OTHERWISE SPECIFIED, ALL DIMENSIONS ARE IN MILLIMETERS | | APVD3 BILL STEIN | 16MY01 |
| | | APVD4 | |
| | | APVD5 | |
| THIRD ANGLE PROJECTION  | DRAWING NAME SLEEVE | | |
| SHEET NUMBER 1 OF 1 | DRAWING NUMBER 15411630 | | DWG STATUS STG REV N/P R 002 - |
| | | | SIZE A2 |

Mouser Electronics

Authorized Distributor

Click to View Pricing, Inventory, Delivery & Lifecycle Information:

[Aptiv:](#)

[15411630](#)