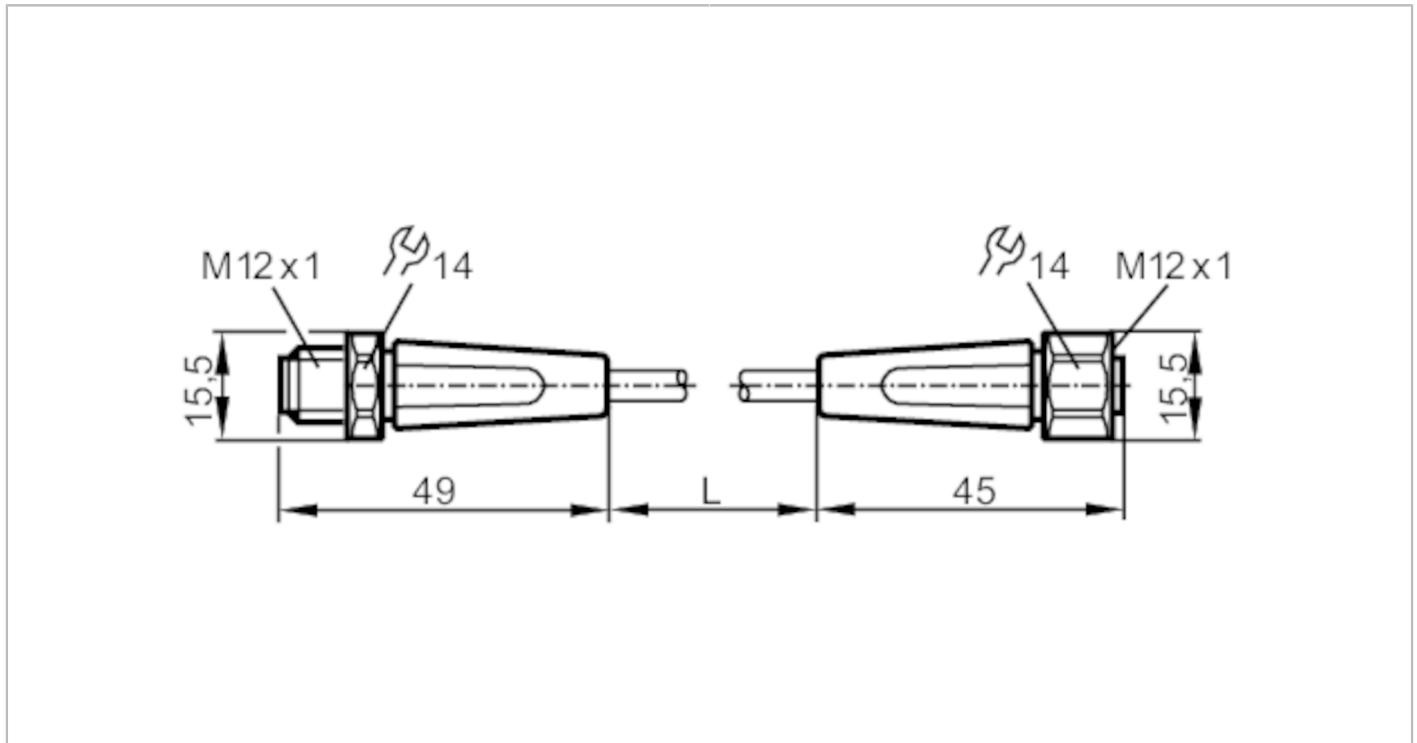


# EVT042



## Connection cable

VDOGH040VAS0001E04STGH040VAS



Application				
Application	hygienic and wet areas in the food industry			
Free from silicone	yes			
Electrical data				
Operating voltage [V]	< 250 AC / < 300 DC			
Protection class	II			
Max. current load total [A]	4			
Operating conditions				
Ambient temperature [°C]	-25...100			
Note on ambient temperature	cULus: ...50			
Ambient temperature (moving) [°C]	5...100			
Note on ambient temperature (moving)	cULus: ...50			
Protection	IP 65; IP 67; IP 68; IP 69K			
Mechanical data				
Weight [g]	67			
Materials	housing: PVC orange; Sealing: EPDM			
Material nut	stainless steel (1.4404 / 316L) / stainless steel (1.4404 / 316L)			
Drag chain suitability	bending radius for flexible use	min. 10 x cable diameter		
	travel speed	max. 3.3 m/s for a horizontal travel length of 5 m and		

# EVT042



## Connection cable

VDOGH040VAS0001E04STGH040VAS

	max. acceleration of 5 m/s <sup>2</sup>		
bending cycles		> 1 Mio.	
torsional strain		± 180 °/m	

### Remarks

Pack quantity

1 pcs.

### Electrical connection

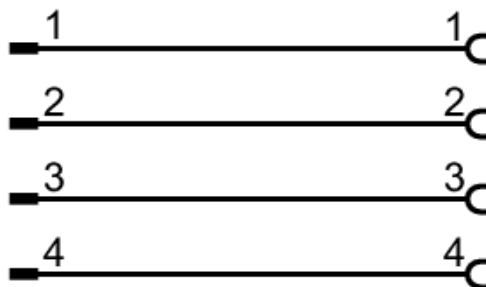
Cable: 1 m, PVC, orange, Ø 4.9 mm; 4 x 0.34 mm<sup>2</sup> (42 x Ø 0.1 mm )

### Electrical connection - plug

Connector: 1 x M12, straight; Locking: , stainless steel (1.4404 / 316L); Kontakte: gold-plated; Tightening torque: 0.6...1.5



### Connection



### Electrical connection - socket

Connector: 1 x M12, straight; Locking: , stainless steel (1.4404 / 316L); Kontakte: gold-plated; Tightening torque: 0.6...1.5

