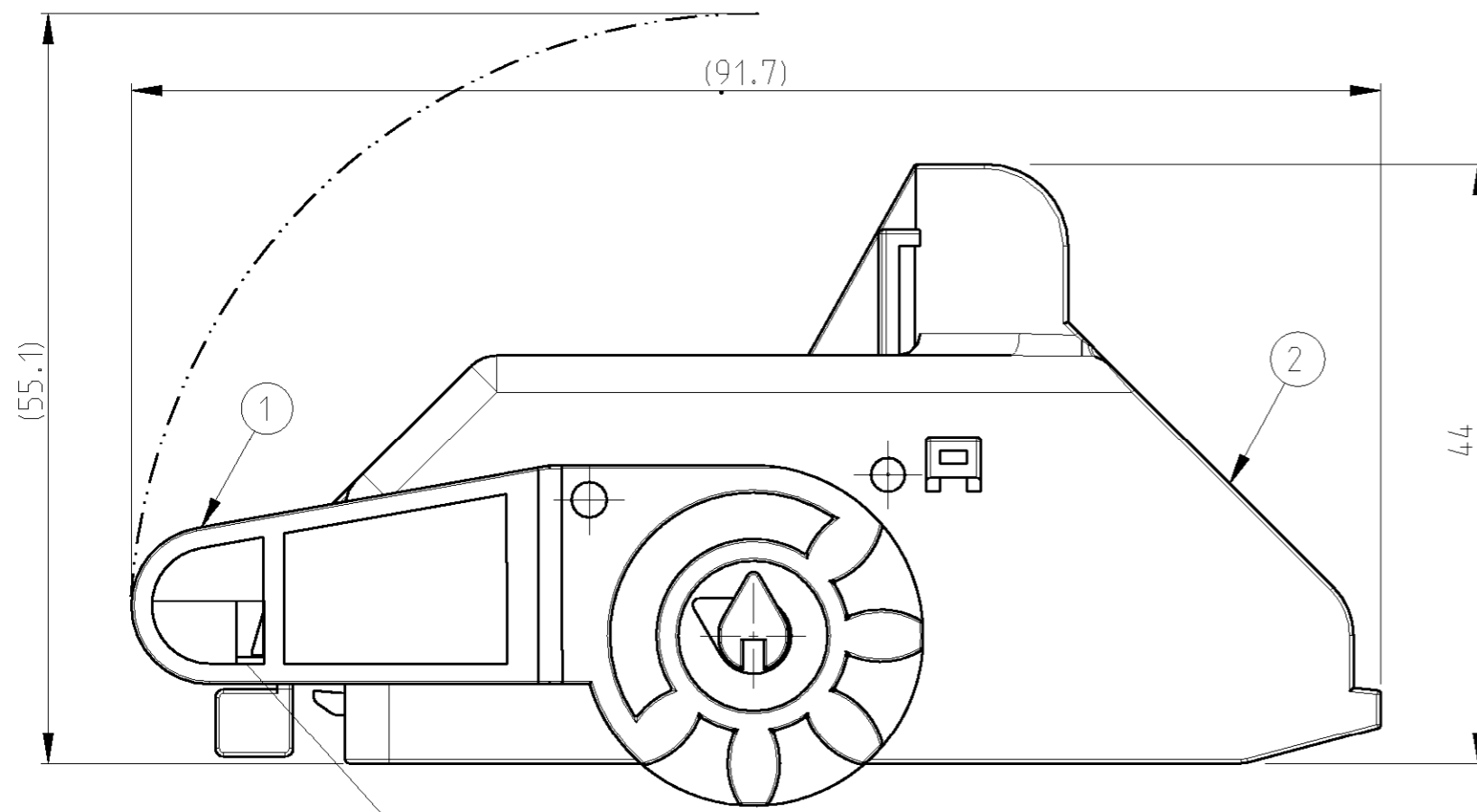
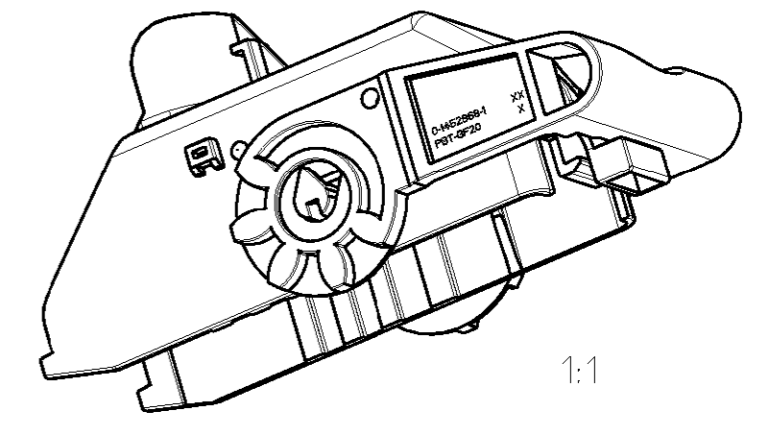


THIS DRAWING IS UNPUBLISHED
 RELEASED FOR PUBLICATION 2003
 © COPYRIGHT 2003 BY TYCO ELECTRONICS CORPORATION. ALL RIGHTS RESERVED.

| LOC | DIST | REVISIONS | | | | | |
|-----|------|-----------|-----|---------------|-----------|------|------|
| | | P | LTR | DESCRIPTION | DATE | DWN | APVD |
| A | - | | A | EGA0-0805-04 | 31MAR2004 | M.K. | K.R. |
| | | | B | ECR-05-016201 | 22NOV2005 | GP | GM |



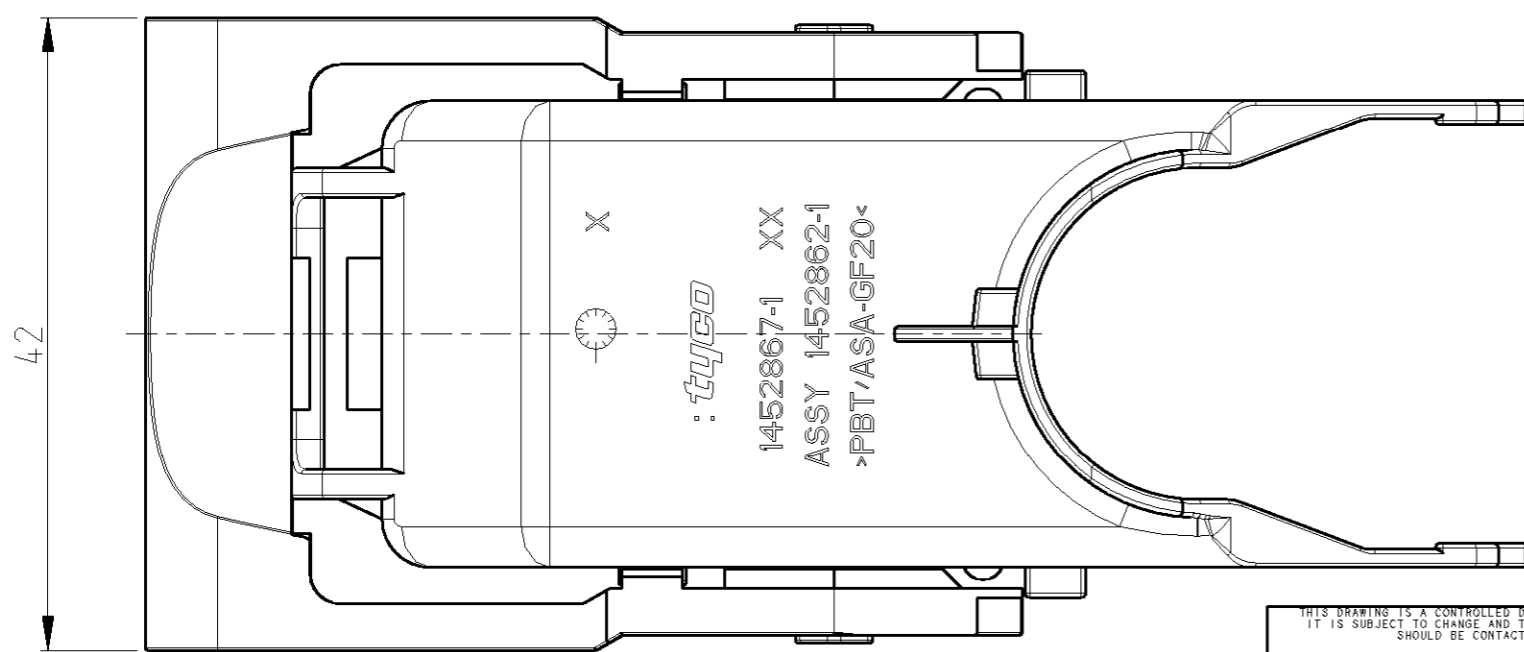
ENDLOCKPOSITION
 Endraststellung



1:1

NOTES:
 Bemerkungen:

ASSY DELIVERED WITH LEVER IN ENDOCKED POSITION
 Anlieferungszustand: Hebel in Endraststellung



| 1452862-1 | PBT/ASA-GF20 | 96 POS. CON. COVER | BLACK | 1 | 2 |
|-----------|--------------|--------------------|--------|------|---------|
| | PBT-GF20 | 96 POS. CON. LEVER | RED | 1 | 1 |
| PART NO | MATERIAL | DESCRIPTION | COLOUR | QTY. | ITEM NO |

THIS DRAWING IS A CONTROLLED DOCUMENT FOR TYCO ELECTRONICS CORPORATION
 IT IS SUBJECT TO CHANGE AND THE CONTROLLING ENGINEERING ORGANIZATION
 SHOULD BE CONTACTED FOR THE LATEST REVISION.

| | | | |
|-------------|--------|--|--|
| DIMENSIONS: | | TOLERANCES UNLESS OTHERWISE SPECIFIED: | |
| mm | | | |
| | 0 PLC | ±0,5 | |
| | 1 PLC | ±0,5 | |
| | 2 PLC | ±0,5 | |
| | 3 PLC | ± | |
| | 4 PLC | ± | |
| | ANGLES | ±1° | |
| MATERIAL | FINISH | | |

| | | | |
|------------------|--------------|---|----------------------------------|
| DWN | 31MAR2004 | tyco Electronics AMP GmbH D - 64625 Bensheim | |
| CHK | M. Kressmann | | |
| APVD | K.-H. Roth | | |
| PRODUCT SPEC | G. Mumper | | |
| APPLICATION SPEC | | NAME | 96 POS. CONNECTOR COVER 180 ASSY |
| WEIGHT | | SIZE | A3 |
| CUSTOMER DRAWING | | CAGE CODE | 00779 |
| | | DRAWING NO | C=1452862 |
| | | RESTRICTED TO | - |
| | | SCALE | 2:1 |
| | | SHEET | 1 OF 1 |
| | | REV | B |