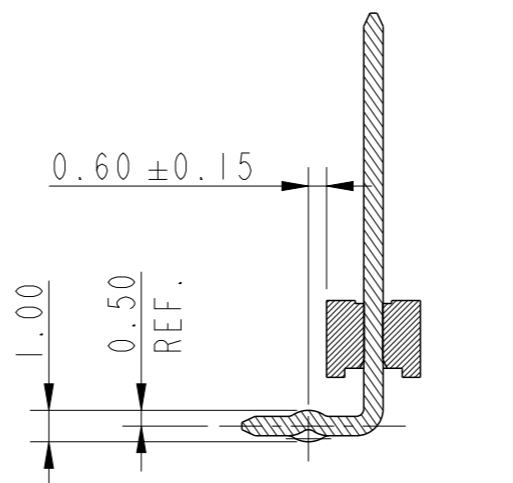
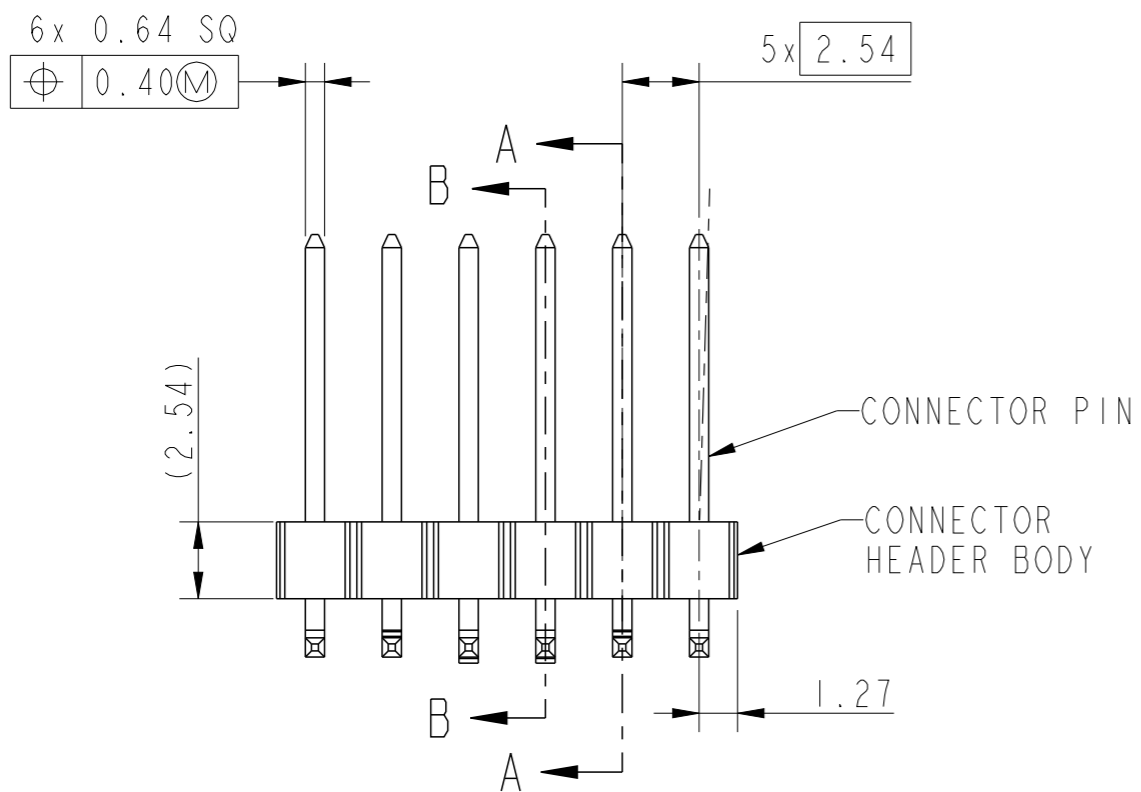
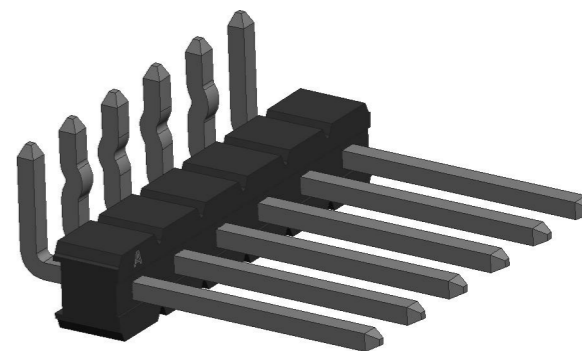
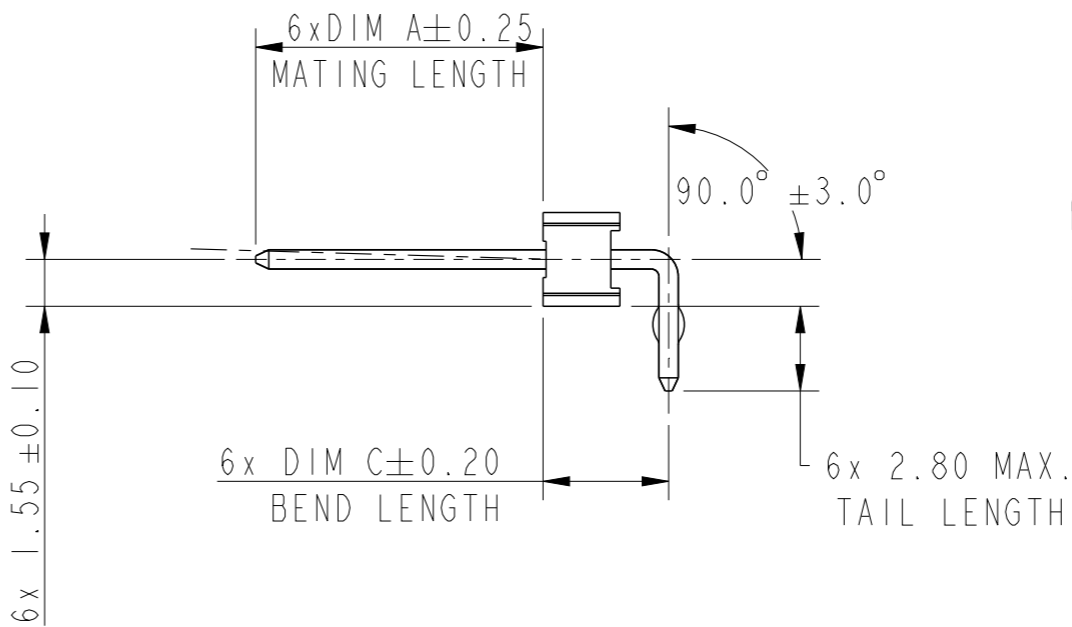
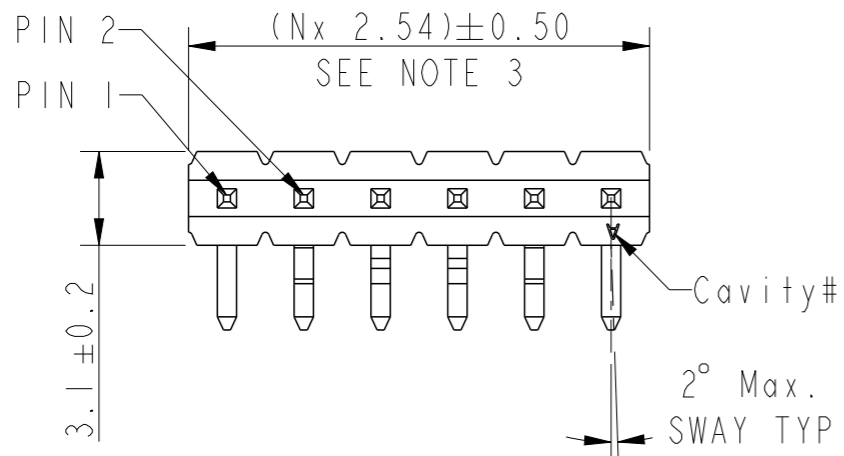
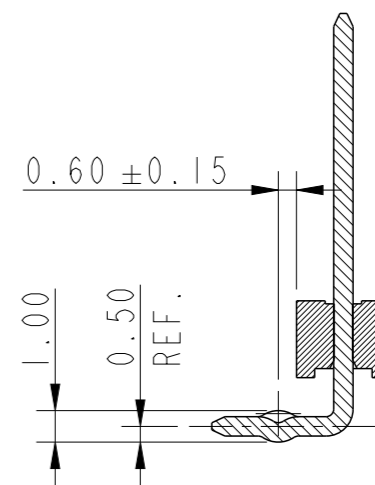


PART NUMBER
SEE TABLE



SECTION A-A
TYPICAL PIN 2 AND 5



SECTION B-B
TYPICAL PIN 3 AND 4

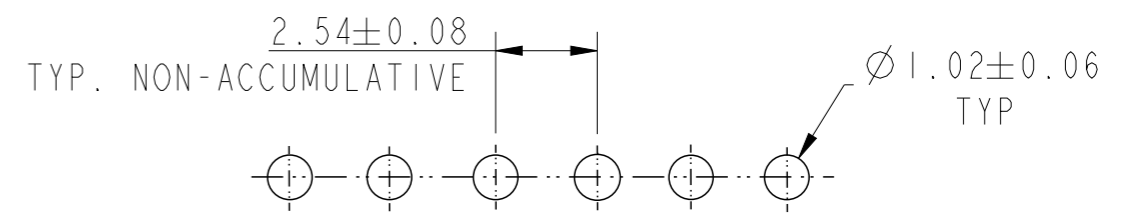
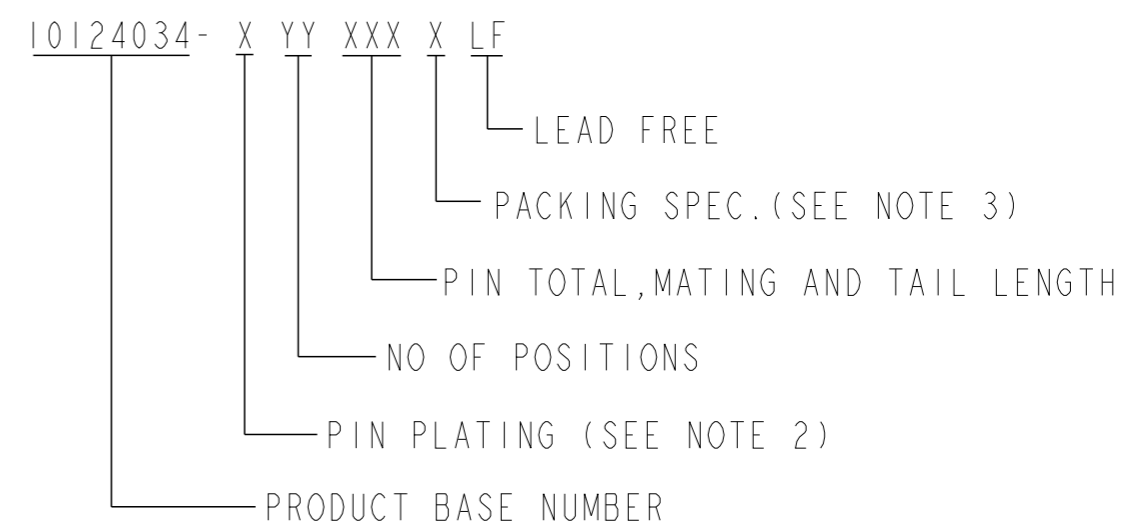
spec ref	GS-14-050	dr	Brandon Ding	2013/03/27	projection	MM	size	A3	scale	1:1			
tolerance std	TOLERANCES UNLESS OTHERWISE SPECIFIED	eng	Zheng-Kun Hu	2013/12/15			ecn no	ELX-N-16477-1	rel level	Released			
surface			chr	-							-		
			appr	Rick Bian							2013/12/18	product family	-
			ISO 1302	linear							0.X	± 0.3	BERGSTIK HEADER
	angular	0°	$\pm 2^\circ$	www.fci.com	cat. no.	-	Product - Customer Drw	sheet 1 of 2					

PART NUMBER	PLATING	MATING LENGTH	TAIL LENGTH	BEND LENGTH	RETENTION PIN POS.		PIN MATERIAL	STATUS
		DIM A	DIM B	DIM C	SECTION A-A	SECTION B-B		ACTIVE
10124034-406001LF	100u" MIN MATTE Sn OVER 50u" MIN Ni	9.5	2.80 MAX.	4.15	2, 5	3, 4	PHOSPHOR BRONZE	ACTIVE
10124034-406002LF	100u" MIN MATTE Sn OVER 50u" MIN Ni	9.5	2.80 MAX.	4.15	2, 5	3, 4	BRASS	NO TOOLED

NOTES

- MATERIAL:
CONNECTOR BODY:HIGH TEMPERATURE NYLON WITH 30% GLASS FIBER,
FLAME RETARDENT PER UL-94V-0. COLOR:BLACK.
CONNECTOR PIN:COPPER ALLOY REFER TO ABOVE TABLE.
- FINISH: CONNECTOR PIN:SEE ABOVE PLATING CODE TABLE.
- PACKAGING:
PACKAGED IN POLY BAGS WITHOUT CAP(BLANK).
EIGHT DIGIT PART NUMBERS FOLLOWED BY A "C" ARE PACKAGED
IN TAPE AND REEL WITHOUT PICKUP CAP.
- PRODUCT SPEC: BUS-12-050.
- TWO SIDES OF PIN TIPS NOT PLATED. TYPICAL BOTH ENDS.
- 2LBS/0.9KG MIN PIN RETENTION IN EITHER DIRECTION.
- 5LB/2.3KG MAX INSERTION FORCE AND .25LB/.1KG MIN RETENTION
FORCE PER RETENTIVE PIN USING 1.00mm THICK CIRCUIT BOARDS
AND RECOMMENDED HOLE PATTERN.
- PART WILL WITHSTAND EXPOSURE TO 260°C PEAK TEMPERATURE
FOR 10 SECONDS IN WAVE SOLDER, INFRA-RED OR VAPOR PHASE SOLDER PROCESS

PRODUCT NUMBER CODES



RECOMMENDED PCB LAYOUT PATTERN



Copyright FCI.

spec ref	GS-14-050			dr	Brandon Ding	2013/03/27	projection	MM	size	A3	scale	1:1
tolerance std	TOLERANCES UNLESS OTHERWISE SPECIFIED			eng	Zheng-Kun Hu	2013/12/15			ecn no ELX-N-16477-1			
surface		linear	0.X ±0.3	chr	-	-			rel level Released			
			0.XX ±0.13	appr	Rick Bian	2013/12/18	product family	-	10124034		rev	B
ISO 1302		angular	0° ±2°	www.fci.com		cat. no.	-	Product - Customer Drw		sheet 2 of 2		

Mouser Electronics

Authorized Distributor

Click to View Pricing, Inventory, Delivery & Lifecycle Information:

[FCI / Amphenol:](#)

[10124034-406001CLF](#)