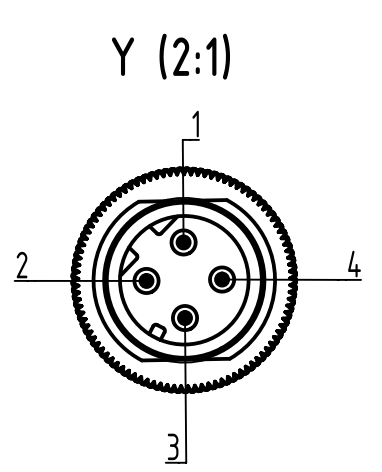
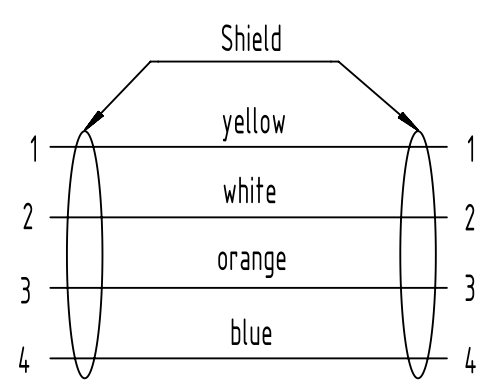


Loading-Plan:



| | | | |
|-----------|-------------|---|-----|
| 13 | 21034851440 | RJ45 Ethernet Trailing Cable AWG22/7, 2x2x0.75, PUR, Cat. 5+ | |
| 12 | 21034851425 | | |
| 11 | 21034851420 | | |
| 10 | 21034851415 | | |
| 9 | 21034851412 | | |
| 8 | 21034851410 | | |
| 7 | 21034851457 | | |
| 6 | 21034851456 | | |
| 5 | 21034851405 | | |
| 4 | 21034851403 | | |
| 3 | 21034851402 | | |
| 2 | 21034851451 | | |
| 1 | 21034851401 | | |
| Cont. no. | Part no. | Type of cable | Dim |