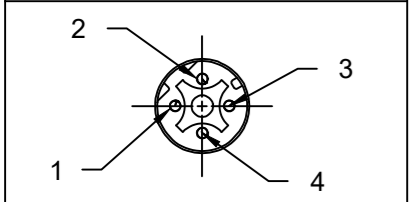


FRONT VIEW-FEMALE INSERT



- 1- WHITE/ORANGE
- 2- WHITE/GREEN
- 3- ORANGE
- 4- GREEN

NOTES:

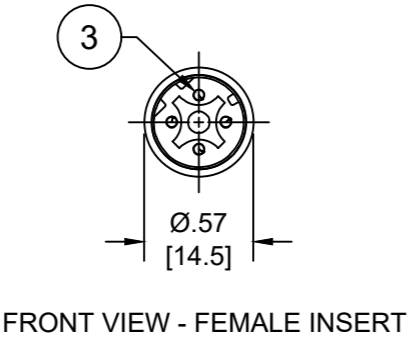
1. MATERIAL: SEE TABLE
2. FINISHES: SEE TABLE
3. ELECTRICAL:
  - VOLTAGE: 125V
  - CURRENT 1.5A
4. TEMP RATING: -20° C TO +105° C
5. PROTECTION: IP67 (WHEN MATED)
6. COUPLING THREAD: M12X1
7. UL LISTED FILE: E361772 (A1)
8. ALL DIMENSIONS ARE FOR REFERENCE UNLESS TOLERANCED OR NOTED OTHERWISE

MECHANICAL CHARACTERISTICS: (A1)

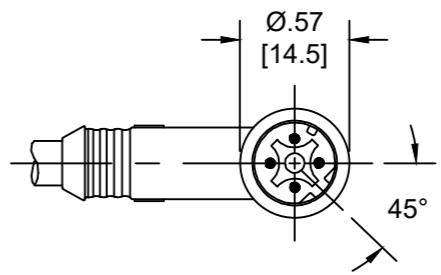
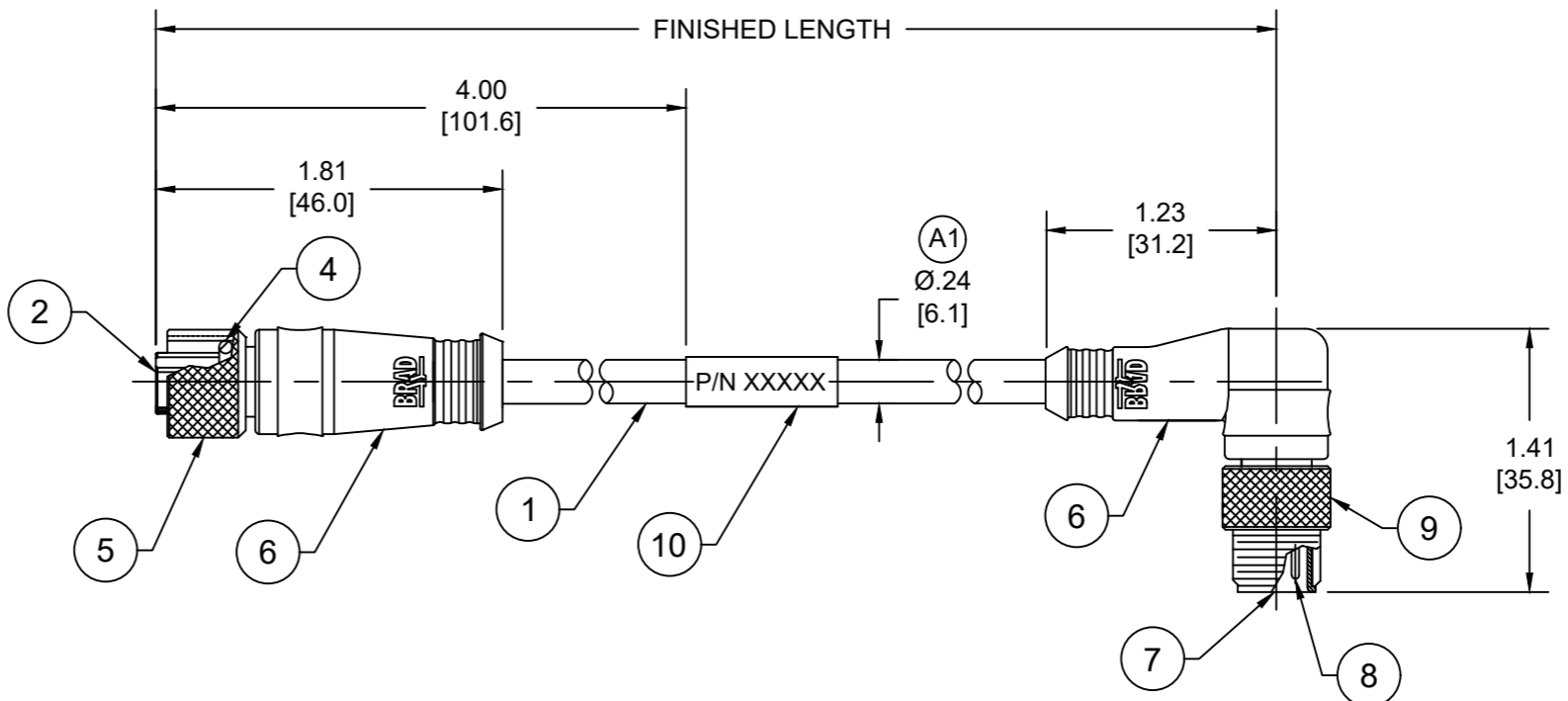
FLEX LIFE:	(126 CYCLES/MIN @ 20° C) 1 MILLION CYCLE TEST (10X CABLE O.D., MINIMUM RADIUS) 10 MILLION CYCLE TEST (20X CABLE O.D., MINIMUM RADIUS)
TORSIONAL FLEX:	(1 LB LOAD, 360°, 71 CYCLES/MIN @ 20° C) 3 MILLION CYCLE TEST

10	WRAP LABEL	VINYL	BLACK/YELLOW
9	MALE COUPLING NUT	BRASS	NICKEL PLATED
8	CONTACT PIN	COPPER ALLOY	GOLD PLATED
7	MALE INSERT	PUR	BLACK
6	OVERMOLD	PUR	BLACK
5	FEMALE COUPLING NUT	BRASS	NICKEL PLATED
4	O-RING	VITON	RED
3	CONTACT SOCKET	COPPER ALLOY	GOLD OVER NICKEL
2	FEMALE INSERT	PUR	BLACK
1	CABLE 24 AWG, 2PR	TPE JACKET	TEAL
ITEM	DESCRIPTION	MATERIAL	FINISH

PART NO.	ENGINEERING NO.	FINISHED LENGTH (A1)
1201080620	E11A03204M005	0.5M [1 FT 8 IN]

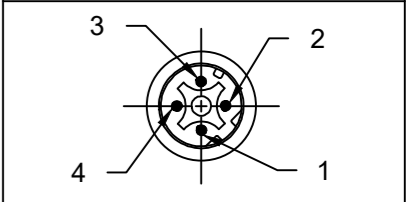


FRONT VIEW - FEMALE INSERT



FRONT VIEW - MALE INSERT

FRONT VIEW-MALE INSERT



- 1- WHITE/ORANGE
- 2- WHITE/GREEN
- 3- ORANGE
- 4- GREEN

PART NUMBER LEGEND  
E11A03204M005

FINISHED LENGTH:  
M005= 0.5 METER  
M010= 1 METER  
M100= 10 METER

CABLE LENGTH TOLERANCES

<.3M [1FT]:	+19mm-0 [ +.75in-0]
.3 - .9M [1 - 3FT]:	+44.5mm-0 [+1.75in-0]
.9 - 1.8M [3 - 6FT]:	+55.6mm-0 [+2.19in-0]
1.8 - 3.7M [6 - 12FT]:	+88.9mm-0 [+3.50in-0]
3.7 - 7.3M [12 - 24FT]:	+165.1mm-0 [+6.50in-0]
7.3-14.6M [24 - 48FT]:	+317.5mm-0 [+12.50in-0]
14.6 - 30.5M [48-100FT]:	+622.3mm-0 [+24.50in-0]
OVER 30M [100FT]	+2% OF FINISHED LENGTH

FUNCTIONAL SYMBOLS F=0 E=0 P=0	THIS DRAWING CONTAINS INFORMATION THAT IS PROPRIETARY TO MOLEX ELECTRONIC TECHNOLOGIES, LLC AND SHOULD NOT BE USED WITHOUT WRITTEN PERMISSION		CURRENT REV DESC: ADDED MECHANICAL CHARACTERISTICS, UL NUMBER, CABLE DIA, TOL CHART & PN CHART					
	DIMENSION UNITS	SCALE	EC NO: 709714					
	INCH/MM	NTS	DRWN: ABENJAMINLW	2022/04/05	<p>MICRO-CHANGE CORDSET, M12 4 POLE, MALE 90DEG - FEMALE STRAIGHT, D-CODED, #24 AWG HI-FLEX</p>			
	GENERAL TOLERANCES (UNLESS SPECIFIED)		CHK'D: RSTONE	2022/06/08				
4 PLACES	±----	APPR: BWOODMAN	2022/06/14					
3 PLACES	±----	INITIAL REVISION:						
DIVISIONAL SYMBOLS	2 PLACES	±----	DRWN: RSTONE	2016/08/18	DOCUMENT NUMBER	DOC TYPE	DOC PART	REVISION
1 PLACE	±----	±----	APPR: BWOODMAN	2016/08/29	SD-120108-096	PSD	001	A1
0 PLACES	±----	±----	DRAFT WHERE APPLICABLE MUST REMAIN WITHIN DIMENSIONS		MATERIAL NUMBER	CUSTOMER	SHEET NUMBER	
THIRD ANGLE PROJECTION		DRAWING	SERIES	120108	SEE CHART	GENERAL MARKET	1 OF 1	