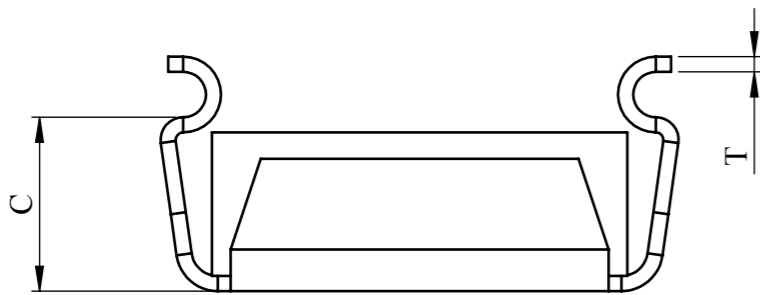
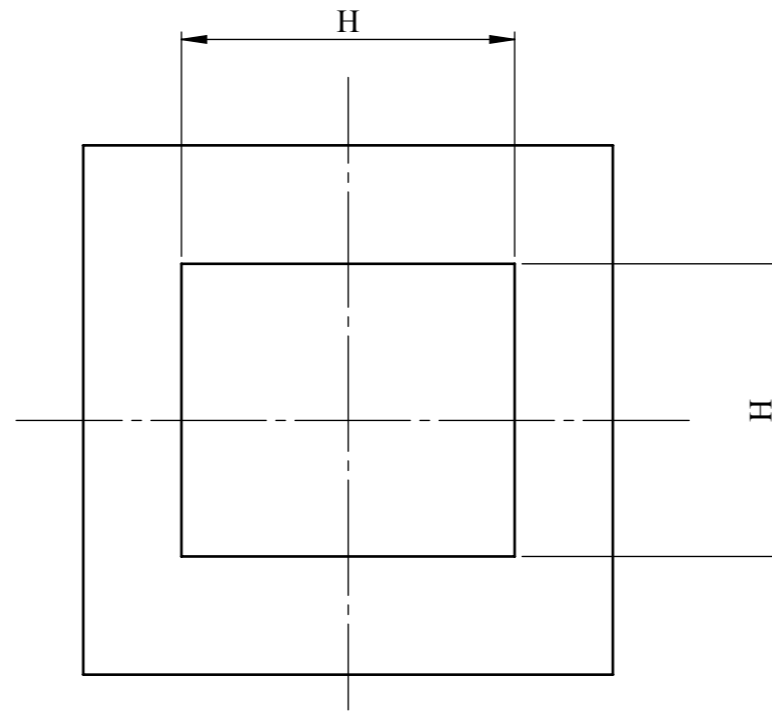
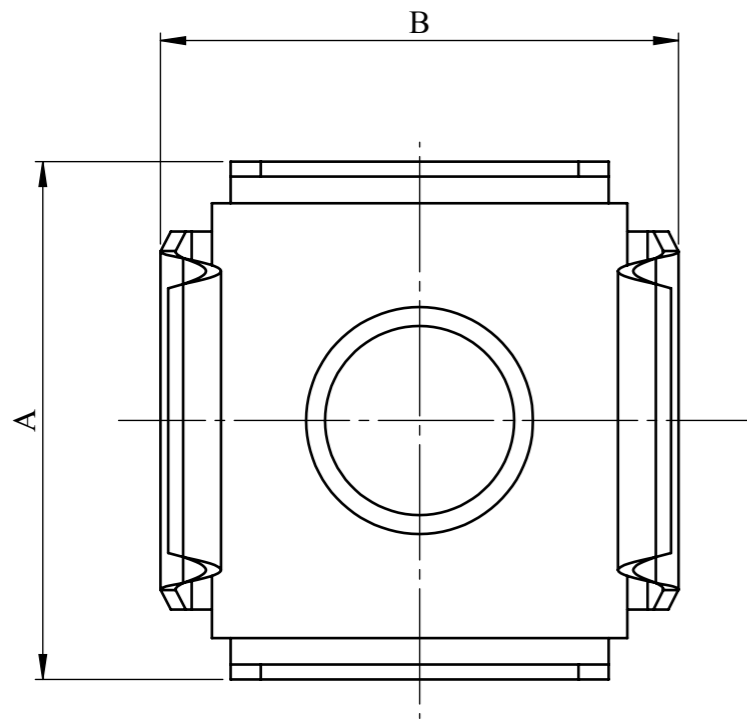


DEBUR AND BREAK SHARP EDGES

DO NOT SCALE DRAWING

REVISION



PART No	KIT QTY	TYPE	A	B	C	T	H
M5-CNSTNZ50	50	NARROW	13.14	13.84	6.00	0.38	9.53
M5-CNSTNZ25	25	NARROW	13.14	13.84	6.00	0.38	9.53
M6-CNSTNZ50	50	NARROW	13.14	13.84	6.00	0.38	9.53
M6-CNSTNZ25	25	NARROW	13.14	13.84	6.00	0.38	9.53

A DRAWN 06/07/15

NOTES

MATERIAL

CAGE - CS70 CARBON SPRING STEEL
NUT - LOW CARBON MILD STEEL



DESIGN RIGHT. TR FASTENINGS LTD, 2003
UNDER NO CIRCUMSTANCES MUST THIS
DRAWING BE COPIED OR DISCLOSED,
WITHOUT FIRST OBTAINING WRITTEN
AUTHORITY.

UNLESS OTHERWISE SPECIFIED:
DIMENSIONS ARE IN MILLIMETERS
SURFACE FINISH:
TOLERANCES:

ISO 2768 m

NAME	DATE
DRAWN MARTIN ELLIOTT	06/07/15
CHK'D	
APP'VD	

CUSTOMER PART No

MATERIAL:

SEE NOTES

HEAT TREATMENT

FINISH:

ZINC PLATED

TITLE:

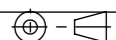
CAGE NUT NARROW

DWG NO.

M#CNSTNZXX

A3

PROJECTION



SHEET 1 OF 1