

# NS 35/ 7,5 CAP - End cap

1206560

<https://www.phoenixcontact.com/us/products/1206560>



Please be informed that the data shown in this PDF document is generated from our online catalog. Please find the complete data in the user documentation. Our general terms of use for downloads are valid.

DIN rail end piece, for DIN rail NS 35/7.5



## Your advantages

- NS 35/... CAP end caps can be attached to the ends of NS 35/7,5 and NS 35/15 DIN rails

## Commercial data

Item number	1206560
Packing unit	100 pc
Minimum order quantity	100 pc
Sales key	BE72
Product key	BE723Z
Catalog page	Page 526 (C-3-2019)
GTIN	4017918173043
Weight per piece (including packing)	0.57 g
Weight per piece (excluding packing)	0.537 g
Customs tariff number	39269097
Country of origin	DE

# NS 35/ 7,5 CAP - End cap

1206560

<https://www.phoenixcontact.com/us/products/1206560>



## Technical data

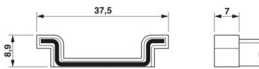
### Product properties

Product type	DIN rail
--------------	----------

### Data management status

Article revision	00
------------------	----

### Dimensions

Dimensional drawing	
Width	7 mm
Height	37.5 mm
Depth	9 mm
Length	37.5 mm

### Material specifications

Color	gray (RAL 7042)
Material	PP
Flammability rating according to UL 94	HB
Coating	uncoated

# NS 35/ 7,5 CAP - End cap

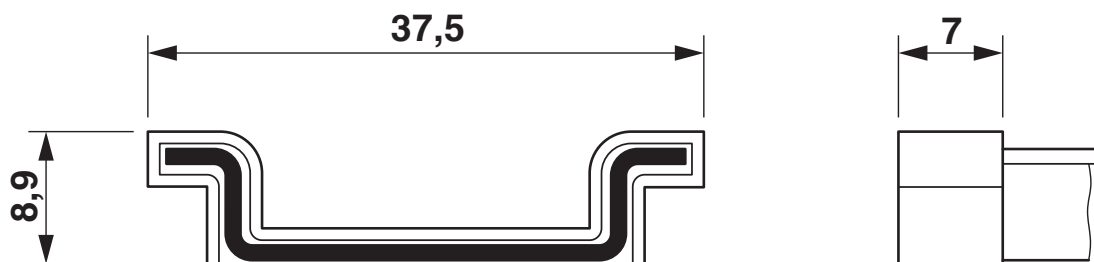
1206560

<https://www.phoenixcontact.com/us/products/1206560>



## Drawings

Dimensional drawing



# NS 35/ 7,5 CAP - End cap

1206560

<https://www.phoenixcontact.com/us/products/1206560>



## Classifications

### ECLASS

ECLASS-13.0	27400562
ECLASS-12.0	27400562
ECLASS-11.0	27400562

### ETIM

ETIM 9.0	EC000475
----------	----------

### UNSPSC

UNSPSC 21.0	39121700
-------------	----------

# NS 35/ 7,5 CAP - End cap



1206560

<https://www.phoenixcontact.com/us/products/1206560>

## Environmental product compliance

### EU RoHS

Fulfills EU RoHS substance requirements	Yes, No exemptions
---	--------------------

### China RoHS

Environment friendly use period (EFUP)	EFUP-E
	No hazardous substances above the limits

### EU REACH SVHC

REACH candidate substance (CAS No.)	No substance above 0.1 wt%
-------------------------------------	----------------------------

Phoenix Contact 2024 © - all rights reserved  
<https://www.phoenixcontact.com>

Phoenix Contact USA  
586 Fulling Mill Road  
Middletown, PA 17057, United States  
(+717) 944-1300  
[info@phoenixcon.com](mailto:info@phoenixcon.com)