

SMD Seam Crystal Units 5.0x3.2x0.90mm Series



Features

- Extremely small SMD type crystal units.
- Application for smart phone, sip module , variety of compact portable consumer products reference clocks.
- High reliable environmental performance



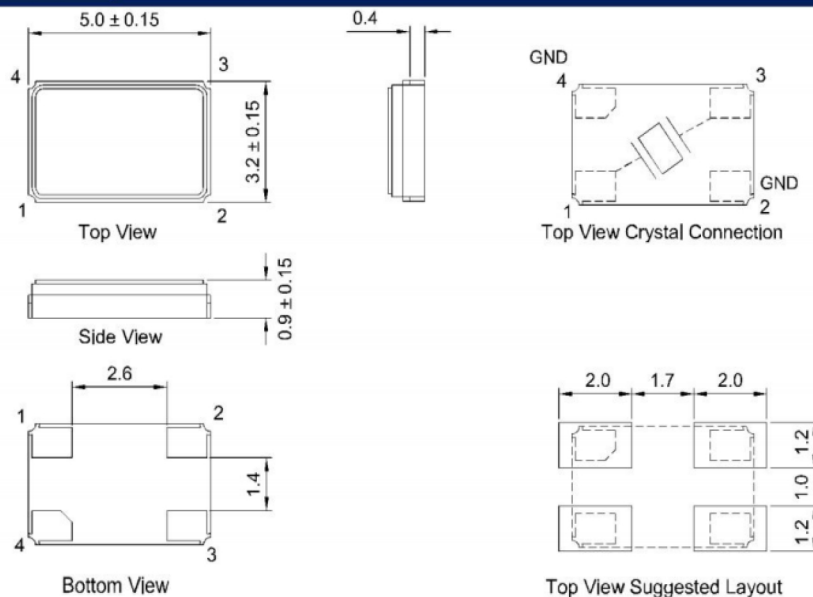
Electrical Specifications

Item / Type	
Frequency Range 频率范围	8.00 ~ 54.00MHz
Frequency Tolerance (at 25 °C) 调频偏差	± 10 ppm ± 20 ppm, or specify
Frequency Stability 频率温度特性	± 10 ppm ± 20 ppm, or specify
Operating Temperature Range 工作温度	-40 ~ +85 °C -40 ~ +105 °C, or specify
Shunt Capacitance (C0) 静态电容	5 pF Max.
Drive Level 激励功率	10 μW~200μW (Max 100 μW)
Load Capacitance 负载电容	6pF 8pF 9pF 10pF 12pF 20pF, or specify
Aging (at 25 °C) 老化率	± 3 ppm year Max.
Storage Temperature Range 存储温度	- 5 5 ~ + 125 °C

Equivalent Series Resistance(ESR)

Fundamental			
8~12 MHz	60 ~80Ω Max.	13~25 MHz	40~60 Ω Max.
26~54 MHz	30~40 Ω Max.		

Dimensions



Units: mm