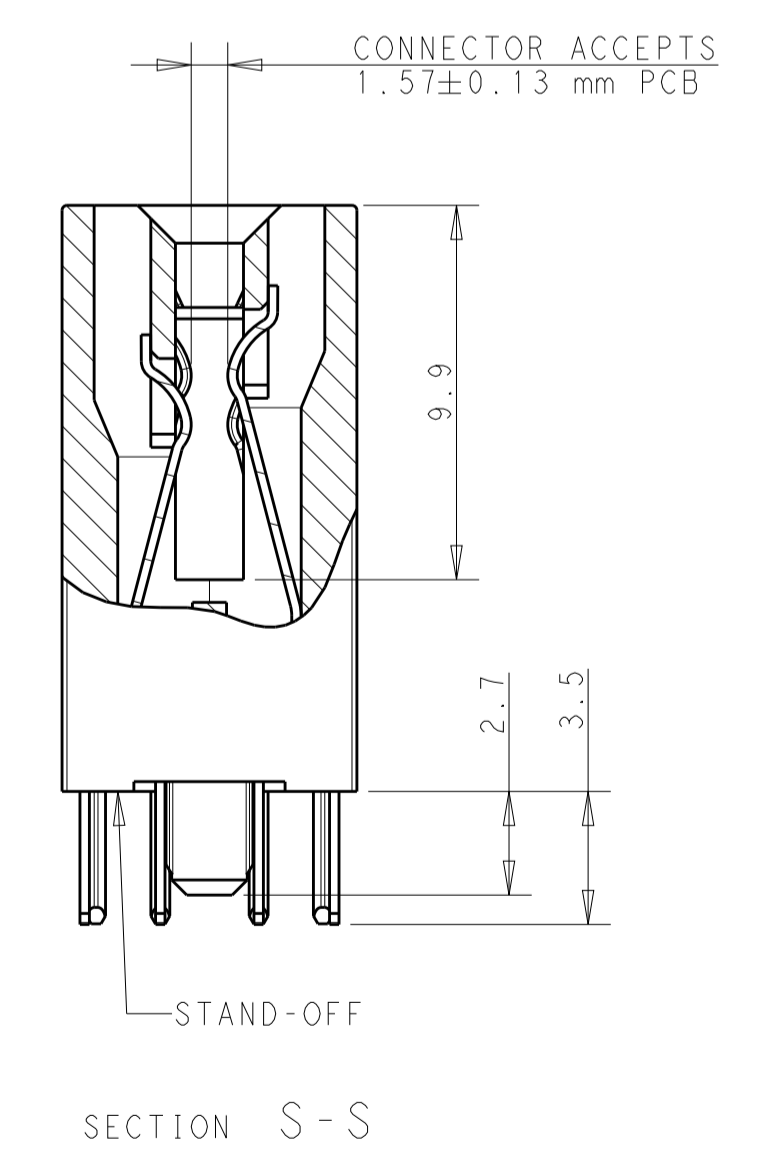
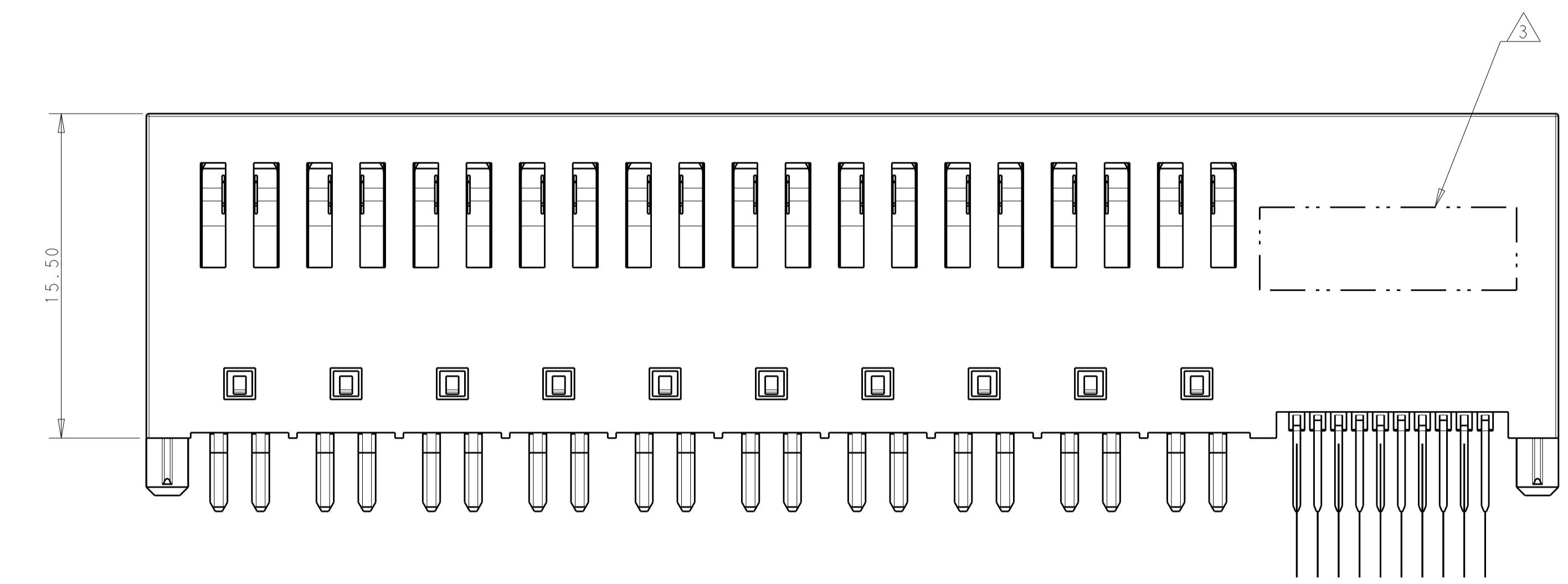
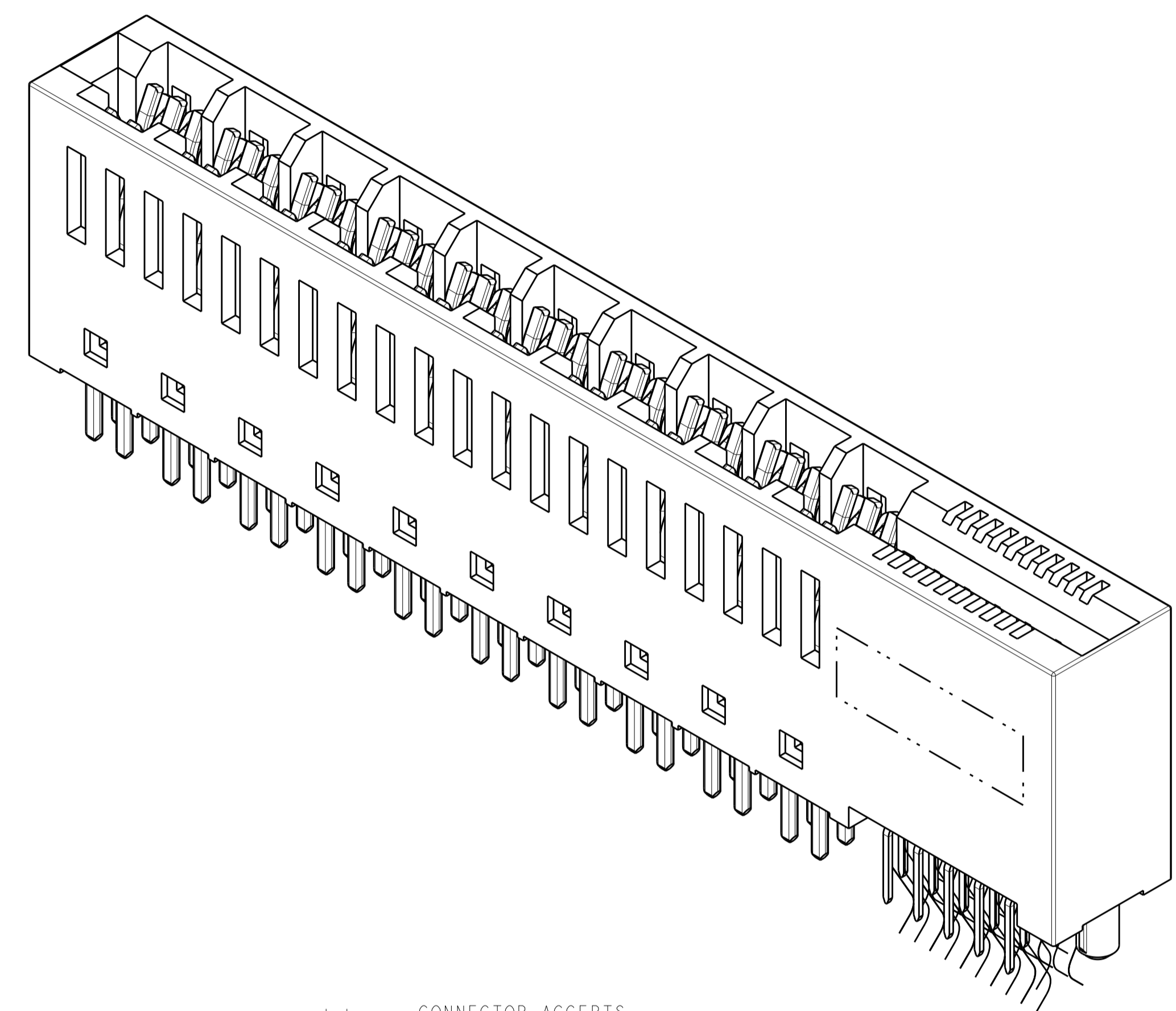
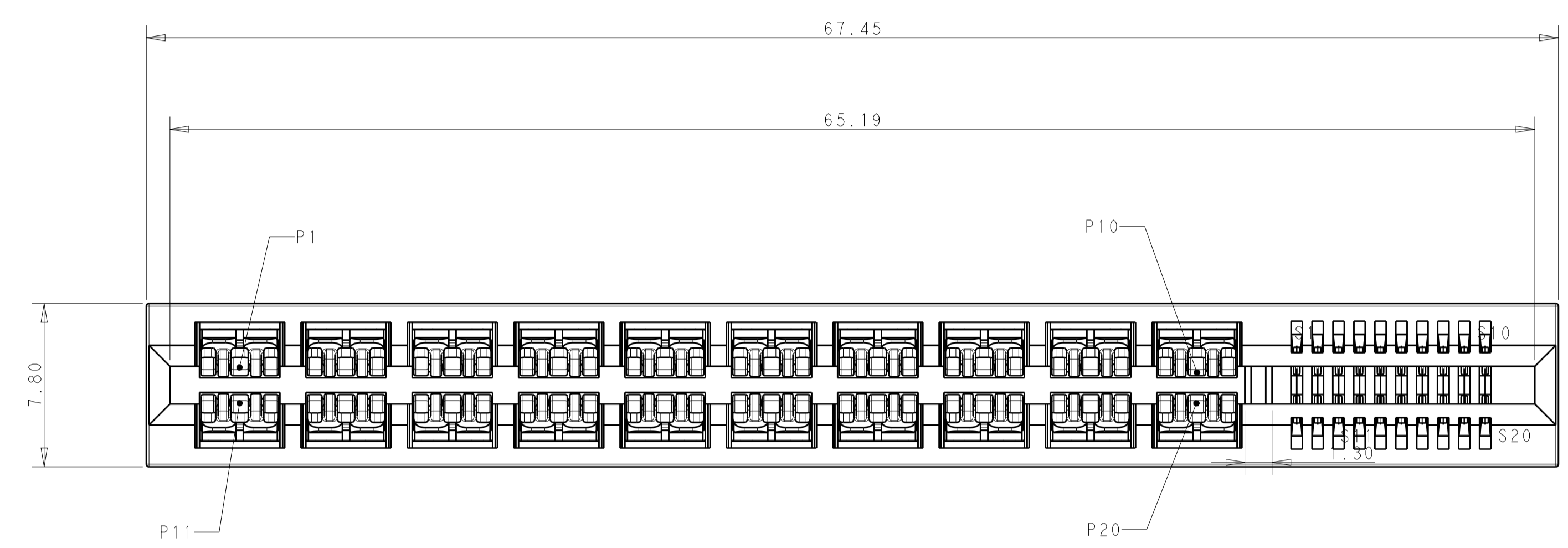


REVISIONS				
P.	LTN.	DESCRIPTION	DATE	APVD.
1		PROPOSAL	18OCT2018	SZ SZ

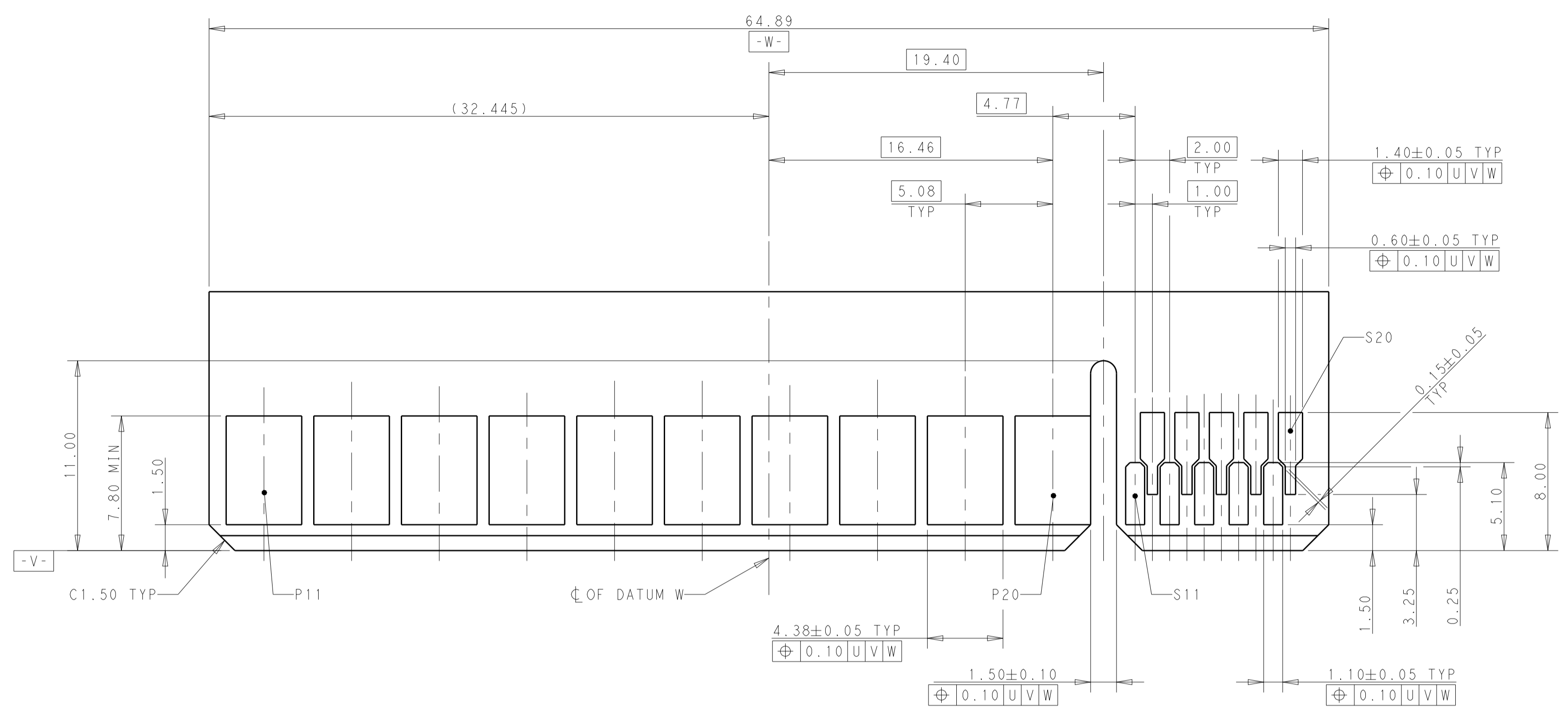
NOTES, UNLESS OTHERWISE SPECIFIED  
 1. MATERIAL:  
 HOUSING - THERMOPLASTIC, GLASS PREINFORCED, COLOR, BLACK, UL 94V-0  
 CONTACTS- COPPER ALLOY.  
 2. FINISH:  
 MATING AREA - NOBLE METAL OVERALL NICKEL.  
 SOLDER TAIL - MATTE TIN OVERALL NICKEL.  
 ⚠️ MARK P/N AND DATA CODE IN APPROX. AREA AS SHOWN.



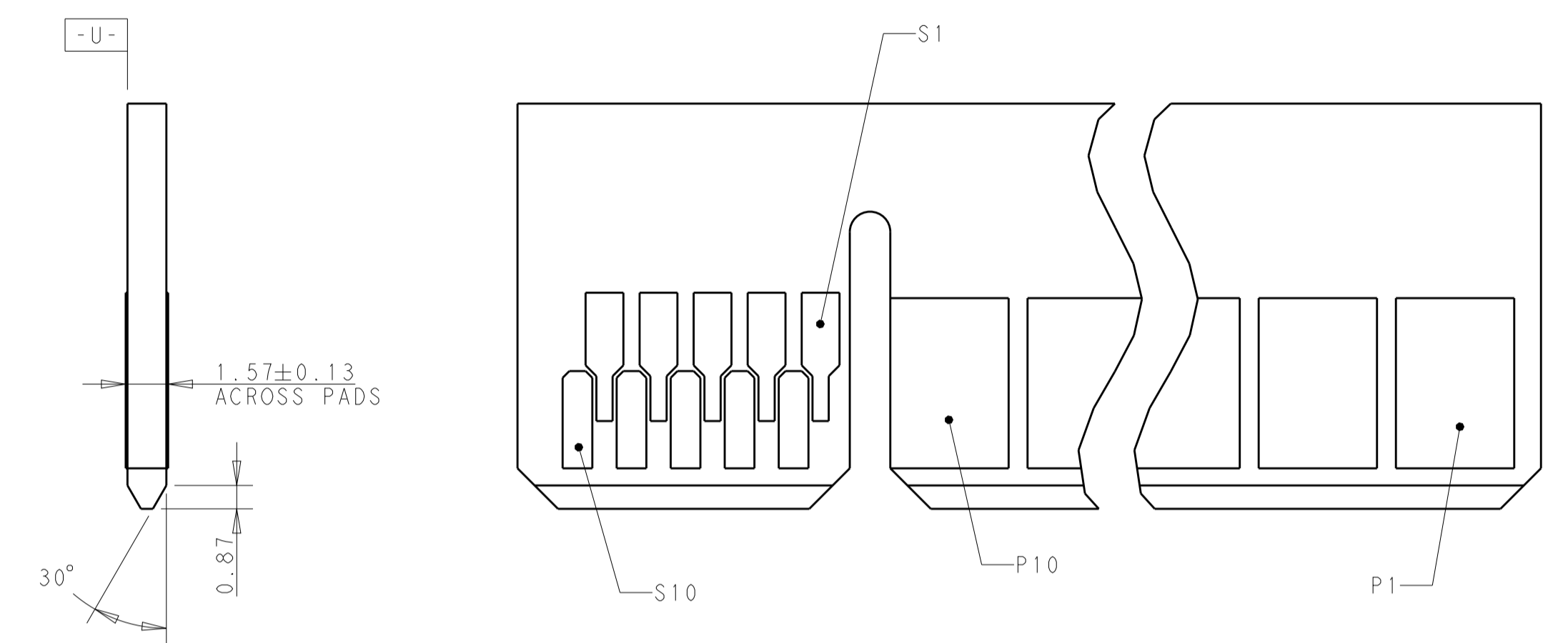
PART NUMBER 2345246-1

THIS DRAWING IS A CONTROLLED DOCUMENT.		DWN: SEAN_ZHANG 18OCT2018	TE Connectivity	
DIMENSIONS: mm		CHK: SUNYI_ZHAO 18OCT2018	NAME: HD+ CARD EDGE VERTICAL, 2X10P-2X10S	
TOLERANCES UNLESS OTHERWISE SPECIFIED:		APVD: SUNYI_ZHAO 18OCT2018	PRODUCT SPEC	
0 PLC ±0.50		APPLICATION SPEC	SIZE: A100779	
1 PLC ±0.25		WEIGHT	CAGE CODE: 2345246	
2 PLC ±0.25		CUSTOMER DRAWING	SCALE: 5:1	
3 PLC ±0.25			SHEET 1 OF 2	
4 PLC ±0.25			REV A	
ANGLES ±0.5				
FINISH: SEE NOTE				

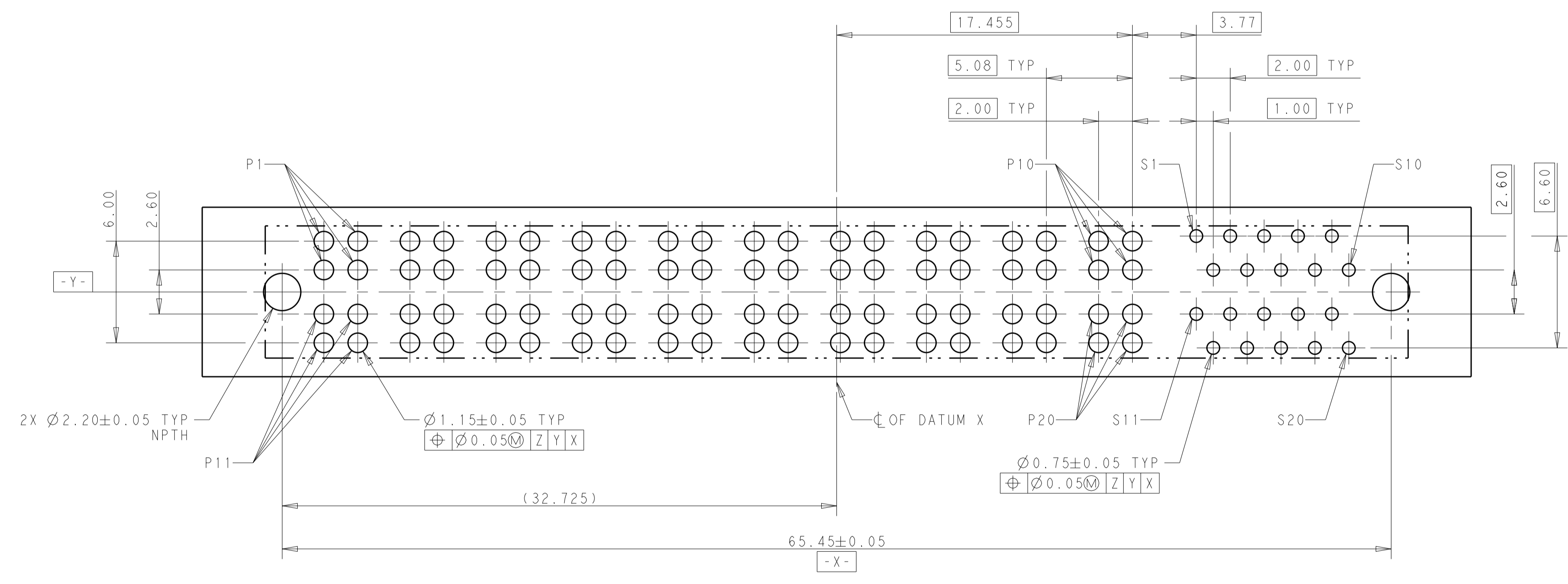
REVISIONS				
P.	LTM	DESCRIPTION	DATE	APVD
-	-	SEE SHEET 1	-	-



RECOMMENDED MATING BOARD EDGE CONFIGURATION (PRIMARY SIDE SHOWN)



RECOMMENDED MATING BOARD EDGE CONFIGURATION (SECONDARY SIDE SHOWN)



RECOMMENDED MOUNTING BOARD CONFIGURATION LAYOUT VIEW FROM COMPONENT SIDE

- NOTES FOR MOUNTING BOARD, UNLESS OTHERWISE SPECIFIED:
1. PLATED THROUGH HOLE, SIGNAL:  
 FINISHED HOLE SIZE: 0.75mm.  
 DRILL HOLE SIZE: 0.85±0.025mm.
  2. PLATED THROUGH HOLE, POWER:  
 FINISHED HOLE SIZE: 1.15mm.  
 DRILL HOLE SIZE: 1.25±0.025mm.
  3. COPPER PLATING THICKNESS: 0.025-0.05mm.
  4. SURFACE FINISH: OSP OR IMMERSION TIN PLATING IS RECOMMENDED.

THIS DRAWING IS A CONTROLLED DOCUMENT.		DWN: SEAN_ZHANG	18OCT2018	TE Connectivity
DIMENSIONS: mm		CHK: SUNY_ZHAO	18OCT2018	
TOLERANCES UNLESS OTHERWISE SPECIFIED: 0 PLC ± 1 PLC ±0.20 2 PLC ±0.10 3 PLC ± 4 PLC ± ANGLES ±		NAME: HD+ CARD EDGE VERTICAL, 2X10P-2X10S	PRODUCT SPEC	SIZE: A100779 CAGE CODE: C=2345246 DRAWING NO:
MATERIAL: SEE NOTE		FINISH: SEE NOTE	APPLICATION SPEC	
CUSTOMER DRAWING		SCALE: 5:1	SHEET: 2 OF 2	REV: A