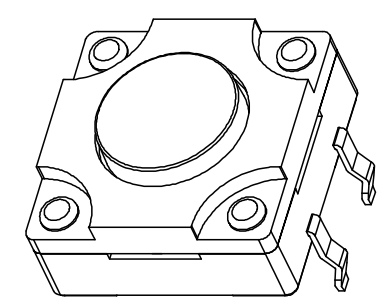
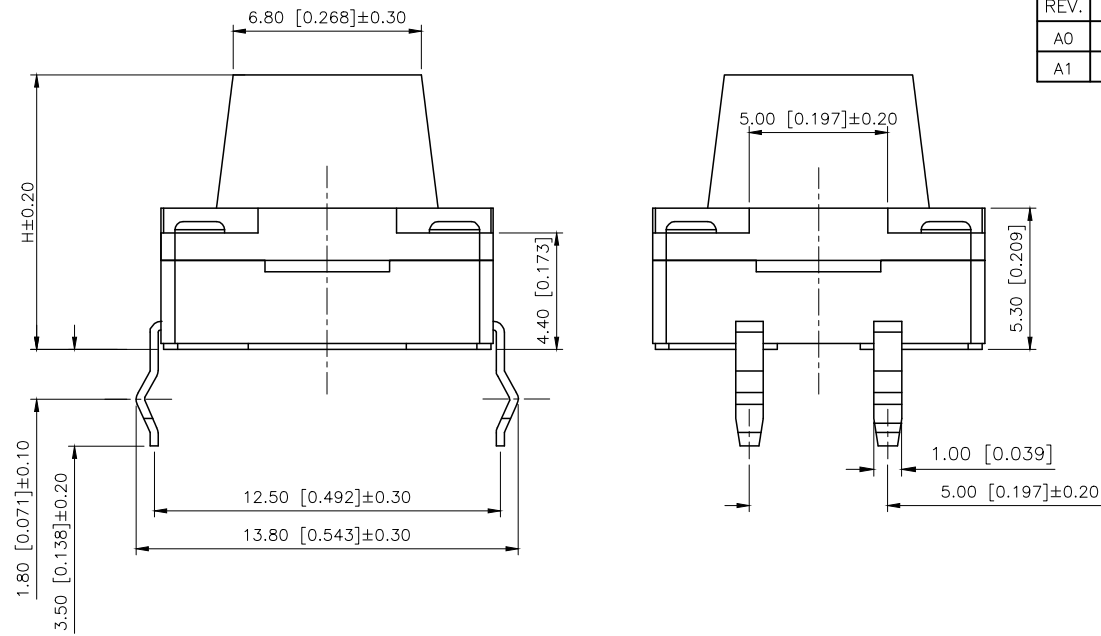
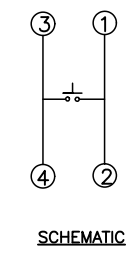
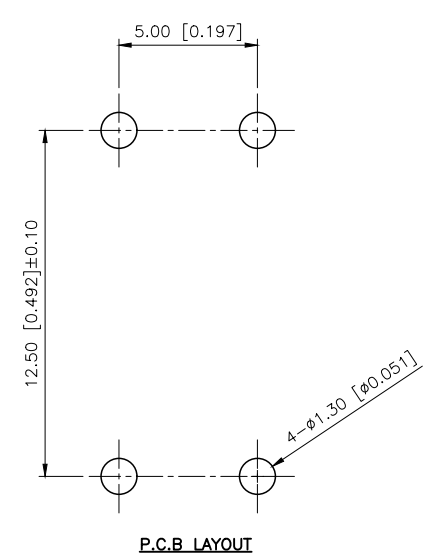
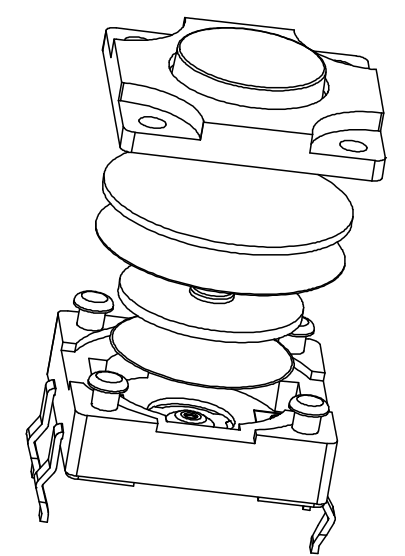
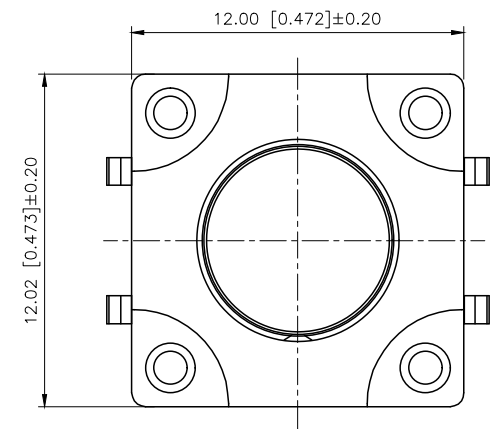


REVISIONS					
REV.	ECN NO.	LOCATION	DESCRIPTION	DATE	DESIGN
A0	N/A		INITIAL RELEASE	/	/
A1	N/A		图面升级整理图面	2025.05.28	阿树



Code-x	H	Code-x	H
E	6.00	Q	12.00
F	6.50	R	12.50
G	7.00	S	13.00
H	7.50	T	13.50
I	8.00	U	14.00
J	8.50	V	14.50
K	9.00	W	15.00
L	9.50	X	15.50
M	10.00	Y	16.00
N	10.50	Z	17.00
O	11.00	18	18.00
P	11.50	19	19.00



SPECIFICATION
 Contact Rating: 50mA,12V DC
 Contact Resistance: 100mΩ max
 Insulation Resistance: 100MΩ min,500V DC
 Dielectric Strength: 250V AC/1minute
 Travel: 0.25mm
 Operating Temp: -25℃~+80℃
 Storage Temp: -30℃~+80℃

PAPT NO	TC-FS1212D-X-X
Operating Force	A:100gf B:160gf C:260gf
Height	Code-X

ITEM	PAPT NAMF	QTY	MATERIAL	FINISHING
⑤	Terminal	4	Brass (0.30t)	Plating silvering
④	Contact	1	F.ag/SUS	Natural
③	Base	1	Pa46	
②	Cover	1	Pa46	
①	Keystake	1	Pa46	

AuGLAR	±5°
X.	±0.40
X.x	±0.30
X.xx	±0.20
X.xxx	±0.15
UNSPECIFIED TOLERAuCES	



DESIGN	阿树
CHECKED	
APPROVED	

VIEW:

UNIT: mm/in

SIZE: A4

MODEL TYPE:	TACT SWITCH
PART NO.:	TC-FS1212D-X-X
DWG NO.:	