

**PLEASE CHECK WWW.MOLEX.COM FOR LATEST PART INFORMATION**

**Part Number:** [2002140030](#)  
**Status:** **Active**  
**Overview:** [Application Tooling](#)  
**Description:** 2-by-6 zQSFP+ Tight EMI Footprint Insertion Tool

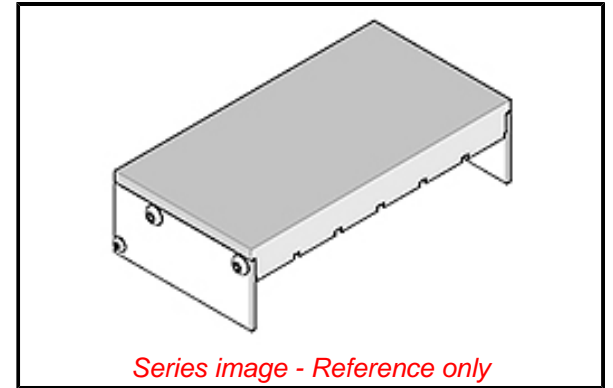
**Documents:**  
[RoHS Certificate of Compliance \(PDF\)](#)

**General**

Product Family	Application Tooling
Series	<a href="#">207123</a>
Comments	See Tooling Specification (PDF) Above, See Tooling Specification (PDF) Above
Function	Insertion
Geographic Area	Global
Level of Automation	Manual
More Detailed Tech Information	<a href="mailto:applicationtooling@molex.com">applicationtooling@molex.com</a>
Overview	<a href="#">Application Tooling</a>
Product Name	zQSFP Plus, zQSFP+
Tool Type	Press-Fit Insertion Tool
UPC	889056290104
Warranty Disclaimer	CAUTION: Molex tooling crimp specifications are valid only when used with Molex terminals and tooling manufactured by Molex and sold by Molex or authorized distributors ("Molex Tooling"). When using tooling other than Molex Tooling with Molex specific connector systems listed in our ATS documents, the Molex tooling qualification does not apply and the responsibility for full qualification of the connector system is that of the customer. Molex accepts no liability for connector performance or tooling support where tooling other than Molex Tooling is used or where Molex Tooling is modified.

**Material Info**

**Reference - Drawing Numbers**  
Application Tooling Documents [2002140030-000](#)



**EU ELV**

**Not Reviewed**

**EU RoHS**

**Not Reviewed**

**REACH SVHC**

Not Reviewed

**Halogen-Free**

**Status**

**Not Reviewed**

For more information, please visit [Contact US](#)

China ROHS

Not Reviewed

ELV

Not Reviewed

RoHS Phthalates

Not Reviewed

**Search Parts in this Series**

[207123 Series](#)

**Application Tooling** | [FAQ](#)  
**Description** | **Product #**

1.57mm Diameter, Standard .062" Pin and Socket Crimp Terminal, Female, with Tin (Sn) Plated Brass Contact, 18-24 AWG, Reel	<a href="#">2061101</a>
1.57mm Diameter, Standard .062" Pin and Socket Crimp Terminal, Female, with Tin (Sn) Plated Brass Contact, 18-24 AWG, Bag	<a href="#">2061103</a>
1.57mm Diameter, Standard .062" Pin and Socket Crimp Terminal, Series 4529, Female, with Tin (Sn) Plated Phosphor Bronze	<a href="#">2061104</a>

Contact, 18-24 AWG,  
Reel  
1.57mm Diameter, 2061118  
Standard .062" Pin  
and Socket Crimp  
Terminal, Series  
1561, Female, with  
Tin (Sn) Plated Brass  
Contact, Without  
Locking Tabs,  
18-24 AWG, Reel  
Packaged  
1.57mm Diameter, 2061131  
Standard .062" Pin  
and Socket Crimp  
Terminal, Series  
1855, Female, with  
Tin (Sn) Plated Brass  
Contact, 24-30 AWG,  
Reel  
1.57mm Diameter, 2061132  
Standard .062" Pin  
and Socket Crimp  
Terminal, Series  
1855, Female, with  
Tin (Sn) Plated Brass  
Contact, 24-30 AWG,  
Bag  
1.57mm Diameter, 2061141  
Standard .062" Pin  
and Socket Crimp  
Terminal, Series  
1855, Female, with  
Tin (Sn) Plated  
Brass Contact,  
24-30 AWG, Without  
Locking Tabs, Reel  
Packaged  
1.57mm Diameter, 2061143  
Standard .062" Pin  
and Socket Crimp  
Terminal, Series  
1855, Female, with  
Tin (Sn) Plated Brass  
Contact, 24-30 AWG,  
Reel Packaged with  
Interleaf Paper  
1.57mm Diameter, 2062101  
Standard .062" Pin  
and Socket Crimp  
Terminal, Series  
1560, Male, with Tin  
(Sn) Plated Brass  
Contact, 18-24 AWG,  
Reel  
1.57mm Diameter, 2062103  
Standard .062" Pin  
and Socket Crimp  
Terminal, Series  
1560, Male, with Tin  
(Sn) Plated Brass  
Contact, 18-24 AWG,  
Bag  
1.57mm Diameter, 2062131  
Standard .062" Pin

and Socket Crimp  
Terminal, Series  
1854, Male, with Tin  
(Sn) Plated Brass  
Contact, 24-30 AWG,  
Reel

1.57mm Diameter, 2062132

Standard .062" Pin  
and Socket Crimp  
Terminal, Series  
1854, Male, with Tin  
(Sn) Plated Brass  
Contact, 24-30 AWG,  
Bag

1.57mm Diameter, 2065100

Standard .062" Pin  
and Socket Crimp  
Terminal, Female,  
with 0.38 $\mu$ m Gold  
(Au) Plated Brass  
Contact, 18-24 AWG,  
Reel

1.57mm Diameter, 2065101

Standard .062" Pin  
and Socket Crimp  
Terminal, Female,  
with 0.76 $\mu$ m Gold  
(Au) Plated Brass  
Contact, 18-24 AWG,  
Reel

1.57mm Diameter, 2065102

Standard .062" Pin  
and Socket Crimp  
Terminal, Female,  
with 0.76 $\mu$ m Gold  
(Au) Plated Brass  
Contact, 18-24 AWG,  
Bag

1.57mm Diameter, 2065103

Standard .062" Pin  
and Socket Crimp  
Terminal, Female,  
with 0.38 $\mu$ m Gold  
(Au) Plated Brass  
Contact, 18-24 AWG,  
Bag

1.57mm Diameter, 2065104

Standard .062" Pin  
and Socket Crimp  
Terminal, Series  
1561, Female,  
with 1.27 $\mu$ m Gold  
Max. Insulation  
Diameter, Loose in  
Bag Packaged

1.57mm Diameter, 2065105

Standard .062" Pin  
and Socket Crimp  
Terminal, Series  
1561, Female, with  
1.27 $\mu$ m Gold Max.  
Insulation Diameter,  
Reel

1.57mm Diameter, 2065108

Standard .062" Pin

and Socket Crimp  
Terminal, Female,  
with Selective Gold  
(Au) Plated Brass  
Contact, 18-24 AWG,  
Reel

1.57mm Diameter, [2065109](#)

Standard .062" Pin  
and Socket Crimp  
Terminal, Female,  
with Selective Gold  
(Au) Plated Brass  
Contact, 18-24 AWG,  
Bag

1.57mm Diameter, [2065130](#)

Standard .062" Pin  
and Socket Crimp  
Terminal, Series  
1855, Female,  
with 0.38 $\mu$ m Gold  
(Au) Plated Brass  
Contact, 24-30 AWG,  
Reel

1.57mm Diameter, [2065135](#)

Standard .062" Pin  
and Socket Crimp  
Terminal, Series  
1855, Female,  
with 0.38 $\mu$ m Gold  
(Au) Plated Brass  
Contact, 24-30 AWG,  
Bag

1.57mm Diameter, [2065138](#)

Standard .062" Pin  
and Socket Crimp  
Terminal, Series  
1855, Female,  
with 0.76 $\mu$ m Gold  
(Au) Plated Brass  
Contact, 24-30 AWG,  
Reel

1.57mm Diameter, [2065139](#)

Standard .062" Pin  
and Socket Crimp  
Terminal, Series  
1855, Female,  
with 0.76 $\mu$ m Gold  
(Au) Plated Brass  
Contact, 24-30 AWG,  
Bag

1.57mm Diameter, [2065147](#)

Standard .062" Pin  
and Socket Crimp  
Terminal, Series  
1855, Female, with  
Selective Gold  
(Au) Plated Brass  
Contact, 24-30 AWG,  
Reel

1.57mm Diameter, [2065148](#)

Standard .062" Pin  
and Socket Crimp  
Terminal, Series  
1855, Female, with  
Selective Gold

(Au) Plated Brass  
Contact, 24-30 AWG,  
Bag  
1.57mm Diameter, 2066100  
Standard .062" Pin  
and Socket Crimp  
Terminal, Series  
1560, Male, with  
Gold (Au) Plated  
Brass Contact, 18-24  
AWG, Reel  
1.57mm Diameter, 2066101  
Standard .062"  
Pin and Socket  
Crimp Terminal,  
Series 1560, Male,  
with .76µm Selective  
Gold (Au) Plated  
Brass Contact,  
18-24 AWG, Reel  
Packaged  
1.57mm Diameter, 2066102  
Standard .062"  
Pin and Socket  
Crimp Terminal,  
Series 1560, Male,  
with .76µm Selective  
Gold (Au) Plated  
Brass Contact, 18-24  
AWG, Bag Packaged  
1.57mm Diameter, 2066103  
Standard .062" Pin  
and Socket Crimp  
Terminal, Series  
1560, Male, with  
Gold (Au) Plated  
Brass Contact, 18-24  
AWG, Bag  
1.57mm Diameter, 2066104  
Standard .062"  
Pin and Socket  
Crimp Terminal,  
Series 1560, Male,  
with Selective  
1.27µm Select Gold  
(Au) Plated Brass  
Contact, 18-24 AWG,  
Bag Packaged  
1.57mm Diameter, 2066118  
Standard .062" Pin  
and Socket Crimp  
Terminal, Series  
1560, Male, with  
Selective Gold  
(Au) Plated Brass  
Contact, Tin/Lead  
Plated Crimp Area,  
18-24 AWG, Reel  
1.57mm Diameter, 2066119  
Standard .062" Pin  
and Socket Crimp  
Terminal, Series  
1560, Male, with  
Selective Gold  
(Au) Plated Brass

Contact, Tin/Lead  
Plated Crimp Area,  
18-24 AWG, Bag  
1.57mm Diameter, 2066122  
Standard .062"  
Pin and Socket  
PC Tail Terminal,  
Series 1778, Male,  
with Selective Gold  
(Au) Plated Brass  
Contact, Bag  
1.57mm Diameter, 2066130  
Standard .062" Pin  
and Socket Crimp  
Terminal, Series  
1854, Male, with  
Gold (Au) Plated  
Brass Contact, 24-30  
AWG, Reel  
1.57mm Diameter, 2066135  
Standard .062" Pin  
and Socket Crimp  
Terminal, Series  
1854, Male, with  
Gold (Au) Plated  
Brass Contact, 24-30  
AWG, Bag  
1.57mm Diameter, 2066138  
Standard .062" Pin  
and Socket Crimp  
Terminal, Series  
1854, Male, with  
Selective Gold  
(Au) Plated Brass  
Contact, 24-30 AWG,  
Reel  
1.57mm Diameter, 2066139  
Standard .062" Pin  
and Socket Crimp  
Terminal, Series  
1854, Male, with  
Selective Gold  
(Au) Plated Brass  
Contact, 24-30 AWG,  
Bag  
1.57mm Diameter, 2066143  
Standard .062" Pin  
and Socket Crimp  
Terminal, Series  
1854, Male, with  
Selective Gold  
(Au) Plated Brass  
Contact, Tin (Sn)  
Plated Crimp Area,  
24-30 AWG, Reel  
1.57mm Diameter, 2066144  
Standard .062" Pin  
and Socket Crimp  
Terminal, Series  
1854, Male, with  
Selective Gold  
(Au) Plated Brass  
Contact, Tin (Sn)  
Plated Crimp Area,  
24-30 AWG, Bag

1.57mm Diameter, 2067103  
Standard .062" Pin  
and Socket PC Tail  
Terminal, Series  
1779, Female,  
with 2.54µm Tin  
(Sn) Plated Brass  
Contact, Bag  
Packaged

1.57mm Diameter, 2067104  
Standard .062" Pin  
and Socket PC Tail  
Terminal, Series  
1779, Female,  
with .76µm Selective  
Gold (Au) Plated  
Brass Contact, Bag  
Packaged

1.57mm Diameter, 2068103  
Standard .062" Pin  
and Socket PC Tail  
Terminal, Series  
1778, Male, with Tin  
(Sn) Plated Brass  
Contact, Bag  
Clascon Crimp 2081101  
Terminal Socket, Tin  
(Sn) Plated Brass  
Contact, 16-24 AWG,  
Reel  
MLX Crimp Terminal 2082008  
42023, 14-20 AWG,  
Bag Selective Gold  
(Au)

2.36mm Diameter, 2091102  
Standard .093" Pin  
and Socket Crimp  
Terminal, Series  
1189, Female, with  
Tin (Sn) Plated Brass  
Contact, 14-20 AWG,  
Reel

2.36mm Diameter, 2091104  
Standard .093" Pin  
and Socket Crimp  
Terminal, Series  
1189, Female, with  
Tin (Sn) Plated Brass  
Contact, 14-20 AWG,  
Bag

2.36mm Diameter, 2091117  
Standard .093" Pin  
and Socket Crimp  
Terminal, Series  
1381, Female, with  
Tin (Sn) Plated Brass  
Contact, 18-22 AWG,  
Reel

2.36mm Diameter, 2091119  
Standard .093" Pin  
and Socket Crimp  
Terminal, Series  
1381, Female, with  
Tin (Sn) Plated Brass

Contact, 18-22 AWG,  
Bag  
2.36mm Diameter, 2091122  
Standard .093" Pin  
and Socket Crimp  
Terminal, Series  
2273, Female, with  
Tin (Sn) Plated  
Contact, Low  
Engagement Force,  
18-22 AWG, Reel  
2.36mm Diameter, 2091123  
Standard .093" Pin  
and Socket Crimp  
Terminal, Series  
2273, Female, with  
Tin (Sn) Plated  
Contact, Low  
Engagement Force,  
18-22 AWG, Bag  
2.36mm Diameter, 2091134  
Standard .093" Pin  
and Socket PC Tail  
Terminal, Series  
1377, Female, with  
Tin (Sn) Plated  
Contact, Bag  
2.36mm Diameter, 2091155  
Standard .093" Pin  
and Socket Crimp  
Terminal, Series  
41483, Female, with  
Tin (Sn) Plated Brass  
Contact, 14-18 AWG  
with Large Insulation  
Diameter, Chain  
2.36mm Diameter, 2091205  
Standard .093" Pin  
and Socket Crimp  
Terminal, Series  
4550, Female, with  
Tin (Sn) Plated  
Phosphor Bronze  
Contact, 14-20 AWG,  
Reel  
2.36mm Diameter, 2091206  
Standard .093" Pin  
and Socket Crimp  
Terminal, Series  
4550, Female, with  
Tin (Sn) Plated  
Phosphor Bronze  
Contact, 14-20 AWG,  
Bag  
2.36mm Diameter, 2091615  
Standard .093"  
Pin and Socket  
Crimp Terminal,  
Series 42477,  
Female, with Tin  
(Sn) Plated Contact,  
High Current/Low  
Engagement Force,  
14-18 AWG, Reel



2.36mm Diameter, [2092101](#)  
Standard .093" Pin  
and Socket Crimp  
Terminal, Series  
1190, Male, with Tin  
(Sn) Plated Brass  
Contact, 14-20 AWG,  
Reel

2.36mm Diameter, [2092103](#)  
Standard .093" Pin  
and Socket Crimp  
Terminal, Series  
1190, Male, with Tin  
(Sn) Plated Brass  
Contact, 14-20 AWG,  
Bag

Vertical Solder Relief [2092105](#)  
(VSR) Direct-Solder  
Crimp Terminal,  
Series 4706, Male,  
Tin (Sn) Plated Brass  
Contact, 16-18 AWG,  
11.20mm Terminal  
Progression

2.36mm Diameter, [2092116](#)  
Standard .093" Pin  
and Socket Crimp  
Terminal, Series  
1380, Male, with Tin  
(Sn) Plated Brass  
Contact, 18-22 AWG,  
Reel

2.36mm Diameter, [2092117](#)  
Standard .093" Pin  
and Socket Crimp  
Terminal, Series  
1380, Male, with Tin  
(Sn) Plated Brass  
Contact, without  
Dents, 18-22 AWG,  
Reel

2.36mm Diameter, [2092118](#)  
Standard .093" Pin  
and Socket Crimp  
Terminal, Series  
1380, Male, with Tin  
(Sn) Plated Brass  
Contact, 18-22 AWG,  
Bag

2.36mm Diameter, [2092133](#)  
Standard .093" Pin  
and Socket PC Tail  
Terminal, Series  
1376, Male, with Tin/  
Lead (Sn/Pb) Plated  
Contact, With Detent,  
Bag Packaged

2.36mm Diameter, [2092134](#)  
Standard .093" Pin  
and Socket PC Tail  
Terminal, Series  
1376, Male, with Tin  
(Sn) Plated Contact,  
Without Detent, Bag  
Packaged

2.36mm Diameter, [2092166](#)  
Standard .093" Pin  
and Socket Crimp  
Terminal, Series  
4549, Male, with  
Tin (Sn) Plated  
Phosphor Bronze  
Contact, 14-20 AWG,  
Reel Packaged

2.36mm Diameter, [2092167](#)  
Standard .093" Pin  
and Socket Crimp  
Terminal, Series  
4549, Male, with  
Tin (Sn) Plated  
Phosphor Bronze  
Contact, 14-20 AWG,  
Bag Packaged

2.36mm Diameter, [2092170](#)  
Standard .093" Pin  
and Socket Crimp  
Terminal, Series  
1190, Male, with Tin  
(Sn) Plated Brass  
Contact, 14-18 AWG,  
Large Insulation  
Crimp, Reel

2.36mm Diameter, [2092171](#)  
Standard .093" Pin  
and Socket Crimp  
Terminal, Series  
1190, Male, with Tin  
(Sn) Plated Brass  
Contact, 14-18 AWG,  
Large Insulation  
Crimp, Bag

2.36mm Diameter, [2092611](#)  
Standard .093" Pin  
and Socket Crimp  
Terminal, Series  
42478, Male, with Tin  
(Sn) Plated Contact,  
High Current/Low  
Engagement Force,  
14-18 AWG, Reel

2.36mm Diameter, [2095100](#)  
Standard .093" Pin  
and Socket Crimp  
Terminal, Series  
1189, Female, with  
Gold (Au) Plated  
Brass Contact, 14-20  
AWG, Reel

2.36mm Diameter, [2095101](#)  
Standard .093" Pin  
and Socket Crimp  
Terminal, Series  
1190, Male, with Tin  
(Sn) Plated Brass  
Contact, 14-20 AWG,  
Chain

2.36mm Diameter, [2095102](#)  
Standard .093" Pin  
and Socket Crimp  
Terminal, Series

1189, Female, with  
Selective Gold  
(Au) Plated Brass  
Contact, 14-20 AWG,  
Reel

2.36mm Diameter, 2095106  
Standard .093" Pin  
and Socket Crimp  
Terminal, Series

1189, Female, with  
Gold (Au) Plated  
Brass Contact, 14-20  
AWG, Bag

2.36mm Diameter, 2095111  
Standard .093" Pin  
and Socket Crimp  
Terminal, Series

1189, Female, with  
Selective Gold  
(Au) Plated Brass  
Contact, 14-20 AWG,  
Bag

2.36mm Diameter, 2095130  
Standard .093" Pin  
and Socket Crimp  
Terminal, Series

1381, Female, with  
Selective Gold  
(Au) Plated Brass  
Contact, 18-22 AWG,  
Reel

2.36mm Diameter, 2095132  
Standard .093" Pin  
and Socket PC Tail  
Terminal, Series

1377, Female, with  
Gold (Au) Plated  
Contact, Bag

2.36mm Diameter, 2095133  
Standard .093" Pin  
and Socket Crimp  
Terminal, Series

1381, Female, with  
Selective Gold  
(Au) Plated Brass  
Contact, 18-22 AWG,  
Bag

2.36mm Diameter, 2095142  
Standard .093" Pin  
and Socket Crimp  
Terminal, Series

1381, Female, with  
Gold (Au) Plated  
Brass Contact, 18-22  
AWG, Bag

2.36mm Diameter, 2095143  
Standard .093" Pin  
and Socket Crimp  
Terminal, Series

1381, Female, with  
Gold (Au) Plated  
Brass Contact, 18-22  
AWG, Reel

2.36mm Diameter, 2095169  
Standard .093" Pin

and Socket Crimp  
Terminal, Series  
4550, Female, with  
Gold (Au) Plated  
Phosphor Bronze  
Contact, 14-20 AWG,  
Reel

2.36mm Diameter, 2095170

Standard .093" Pin  
and Socket Crimp  
Terminal, Series  
4550, Female, with  
Gold (Au) Plated  
Phosphor Bronze  
Contact, 14-20 AWG,  
Bag

2.36mm Diameter, 2096100

Standard .093" Pin  
and Socket Crimp  
Terminal, Series  
1190, Male, with  
Gold (Au) Plated  
Brass Contact, 14-20  
AWG, Reel

2.36mm Diameter, 2096101

Standard .093" Pin  
and Socket Crimp  
Terminal, Series  
1190, Male, with  
Selective Gold  
(Au) Plated Brass  
Contact, 14-20 AWG,  
Reel

2.36mm Diameter, 2096102

Standard .093" Pin  
and Socket Crimp  
Terminal, Series  
1189, Female, with  
Tin (Sn) Plated Brass  
Contact, 14-20 AWG,  
Reel

2.36mm Diameter, 2096106

Standard .093" Pin  
and Socket Crimp  
Terminal, Series  
1190, Male, with  
Gold (Au) Plated  
Brass Contact, 14-20  
AWG, Bag

2.36mm Diameter, 2096110

Standard .093" Pin  
and Socket Crimp  
Terminal, Series  
1190, Male, with  
Selective Gold  
(Au) Plated Brass  
Contact, 14-20 AWG,  
Bag

2.36mm Diameter, 2096122

Standard .093" Pin  
and Socket Crimp  
Terminal, Series  
1380, Male, with  
Gold (Au) Plated

Brass Contact, 18-22  
AWG, Reel  
2.36mm Diameter, 2096123  
Standard .093" Pin  
and Socket Crimp  
Terminal, Series  
1380, Male, with  
Gold (Au) Plated  
Brass Contact, 18-22  
AWG, Bag  
2.36mm Diameter, 2096125  
Standard .093" Pin  
and Socket Crimp  
Terminal, Series  
1380, Male, with  
Selective Gold  
(Au) Plated Brass  
Contact, 18-22 AWG,  
Reel  
2.36mm Diameter, 2096126  
Standard .093" Pin  
and Socket Crimp  
Terminal, Series  
1380, Male, with  
Selective Gold  
(Au) Plated Brass  
Contact, 18-22 AWG,  
Bag  
2.36mm Diameter, 2096132  
Standard .093"  
Pin and Socket  
PC Tail Terminal,  
Series 1376, Male,  
with Gold (Au)  
Plated Contact,  
Without Detent, Bag  
Packaged  
2.36mm Diameter, 2098103  
Standard .093" Pin  
and Socket Crimp  
Grounding Terminal,  
Series 1973, Male,  
with Tin (Sn) Plated  
Brass Contact, 18-22  
AWG, Reel  
2.36mm Diameter, 2098104  
Standard .093" Pin  
and Socket Crimp  
Grounding Terminal,  
Series 1973, Male,  
with Tin (Sn) Plated  
Brass Contact, 18-22  
AWG, Bag  
2.36mm Diameter, 2098108  
Standard .093" Pin  
and Socket Crimp  
Grounding Terminal,  
Series 1973, Male,  
with Tin (Sn) Plated  
Brass Contact, 14-18  
AWG, Reel  
2.36mm Diameter, 2098109  
Standard .093" Pin  
and Socket Crimp  
Grounding Terminal,

Series 1973, Male,  
with Tin (Sn) Plated  
Brass Contact, 14-18  
AWG, Bag  
Mini-Fit Jr. 3044052  
Receptacle Housing,  
Single Row, 5  
Circuits, UL 94V-2,  
Natural  
1.57mm Diameter 3061011  
Standard .062"  
Pin and Socket  
Receptacle Housing,  
1 Circuits, Natural  
1.57mm Diameter 3061022  
Standard .062"  
Pin and Socket  
Receptacle Housing,  
2 Circuits, with Pre-  
bent Mounting Ears,  
Natural  
1.57mm Diameter 3061023  
Standard .062"  
Pin and Socket  
Receptacle Housing,  
2 Circuits, without  
Mounting Ears,  
Natural  
1.57mm Diameter 3061031  
Standard .062"  
Pin and Socket  
Receptacle Housing,  
3 Circuits, with  
Standard Mounting  
Ears  
1.57mm Diameter 3061032  
Standard .062"  
Pin and Socket  
Receptacle Housing,  
3 Circuits, without  
Mounting Ears,  
Natural  
1.57mm Diameter 3061038  
Standard .062"  
Pin and Socket  
Receptacle Housing,  
3 Circuits, with Pre-  
bent Mounting Ears,  
Natural  
1.57mm Diameter 3061041  
Standard .062"  
Pin and Socket  
Receptacle Housing,  
4 Circuits, with  
Standard Mounting  
Ears  
1.57mm Diameter 3061042  
Standard .062"  
Pin and Socket  
Receptacle Housing,  
4 Circuits, without  
Mounting Ears,  
Natural  
1.57mm Diameter 3061044  
Standard .062"

Pin and Socket Receptacle Housing, Dual Row, without Mounting Ears, PA Polyamide Nylon 6/6, UL 94V-2, 4 Circuits, Natural 1.57mm Diameter Standard .062"	<u>3061062</u>
Pin and Socket Receptacle Housing, 6 Circuits, without Mounting Ears, Natural 1.57mm Diameter Standard .062"	<u>3061092</u>
Pin and Socket Receptacle Housing, 9 Circuits, without Mounting Ears, Natural 1.57mm Diameter Standard .062"	<u>3061121</u>
Pin and Socket Receptacle Housing, 12 Circuits, with Standard Mounting Ears, Natural 1.57mm Diameter Standard .062"	<u>3061122</u>
Pin and Socket Receptacle Housing, 12 Circuits, without Mounting Ears, Natural 1.57mm Diameter Standard .062" Pin and Socket Plug Housing, 1 Circuits, Natural	<u>3062011</u>
1.57mm Diameter Standard .062" Pin and Socket Plug Housing, 2 Circuits, without Mounting Ears, Natural	<u>3062023</u>
1.57mm Diameter Standard .062" Pin and Socket Plug Housing, 2 Circuits, with Pre- bent Mounting Ears, Natural	<u>3062024</u>
1.57mm Diameter Standard .062" Pin and Socket Plug Housing, 3 Circuits, with Standard Mounting Ears, Natural	<u>3062031</u>
1.57mm Diameter Standard .062" Pin and Socket Plug Housing, 3 Circuits,	<u>3062032</u>

without Mounting Ears, Natural 1.57mm Diameter Standard .062" Pin and Socket Plug Housing, 3 Circuits, with Pre- bent Mounting Ears, Natural	<u>3062033</u>
1.57mm Diameter Standard .062" Pin and Socket Plug Housing, 4 Circuits, with Standard Mounting Ears	<u>3062041</u>
1.57mm Diameter Standard .062" Pin and Socket Plug Housing, 4 Circuits, without Mounting Ears, Natural	<u>3062042</u>
1.57mm Diameter Standard .062" Pin and Socket Plug Housing, Dual Row, without Mounting Ears, PA Polyamide Nylon 6/6, UL 94V-2, 4 Circuits, Natural	<u>3062044</u>
1.57mm Diameter Standard .062" Pin and Socket Plug Housing, 6 Circuits, without Mounting Ears, Natural	<u>3062061</u>
1.57mm Diameter Standard .062" Pin and Socket Plug Housing, 9 Circuits, without Mounting Ears, Natural	<u>3062092</u>
1.57mm Diameter Standard .062" Pin and Socket Plug Housing, 12 Circuits, with Pre- bent Mounting Ears, Natural	<u>3062121</u>
1.57mm Diameter Standard .062" Pin and Socket Plug Housing, 12 Circuits, without Mounting Ears, Natural	<u>3062122</u>
1.57mm Diameter Standard .062" Pin and Socket Receptacle Housing, 2 Circuits, without Mounting Ears, Black	<u>3066023</u>
1.57mm Diameter Standard .062" Pin and Socket Receptacle Housing,	<u>3066062</u>



6 Circuits, without  
Mounting Ears, Black  
1.57mm Diameter 3067023  
Standard .062" Pin  
and Socket Plug  
Housing, Black, 2  
Circuits, without  
Mounting Ears, Black  
1.57mm Diameter 3067044  
Standard .062" Pin  
and Socket Plug  
Housing, Dual Row,  
without Mounting  
Ears, PA Polyamide  
Nylon 6/6, UL 94V-2,  
4 Circuits, Black  
1.57mm Diameter 3067061  
Standard .062" Pin  
and Socket Plug  
Housing, 6 Circuits,  
without Mounting  
Ears, Black  
2.36mm Diameter 3091011  
Standard .093"  
Pin and Socket  
Receptacle Housing,  
1 Circuit, Friction  
Lock, Natural  
2.36mm Diameter 3091022  
Standard .093"  
Pin and Socket  
Receptacle Housing,  
2 Circuits, without  
Mounting Ears, with  
Ramps, Natural  
2.36mm Diameter 3091027  
Standard .093"  
Pin and Socket  
Receptacle Housing,  
2 Circuits, with Pre-  
bent Mounting Ears,  
with Ramps, Natural  
2.36mm Diameter 3091030  
Standard Receptacle  
Housing, 3 Circuit,  
Natural  
2.36mm Diameter 3091031  
Standard .093"  
Pin and Socket  
Receptacle Housing,  
3 Circuits, Single  
Row, Natural  
2.36mm Diameter 3091032  
Standard .093"  
Pin and Socket  
Receptacle Housing,  
3 Circuits, Single  
Row, Natural  
2.36mm Diameter 3091033  
Standard .093"  
Pin and Socket  
Receptacle Housing,  
3 Circuits, Single  
Row, Free-Hanging,

without Passive Lock  
Ramps, Natural  
2.36mm Diameter 3091041  
Standard .093"  
Pin and Socket  
Receptacle Housing,  
4 Circuits, Single  
Row, Natural  
2.36mm Diameter 3091042  
Standard .093"  
Pin and Socket  
Receptacle Housing,  
4 Circuits, Single  
Row, Natural  
2.36mm Diameter 3091049  
Standard .093"  
Pin and Socket  
Receptacle Housing,  
4 Circuits, Dual Row,  
without Mounting  
Ears, Natural  
2.36mm Diameter 3091061  
Standard .093"  
Pin and Socket  
Receptacle Housing,  
6 Circuits, Dual Row,  
Natural  
2.36mm Diameter 3091062  
Standard .093"  
Pin and Socket  
Receptacle Housing,  
6 Circuits, Dual Row,  
Natural  
2.36mm Diameter 3091063  
Standard .093"  
Pin and Socket  
Receptacle Housing,  
6 Circuits, Dual Row,  
without Panel Mount  
Ears, without Friction  
Lock Ramp  
2.36mm Diameter 3091064  
Standard .093"  
Pin and Socket  
Receptacle Housing,  
6 Circuits, Dual Row,  
Natural  
2.36mm Diameter 3091081  
Standard .093"  
Pin and Socket  
Receptacle Housing,  
3 Circuits, Single  
Row, Natural  
2.36mm Diameter 3091091  
Standard .093"  
Pin and Socket  
Receptacle  
Housings, 9 Circuits,  
3 Rows, Natural  
2.36mm Diameter 3091092  
Standard .093"  
Pin and Socket  
Receptacle  
Housings, 9 Circuits,  
3 Rows, with Panel

Mount Ears, without  
Passive Lock Ramp  
2.36mm Diameter 3091093  
Standard .093"  
Pin and Socket  
Receptacle  
Housings, 9 Circuits,  
3 Rows, without  
Panel Mount Ears,  
without Passive Lock  
Ramp  
2.36mm Diameter 3091094  
Standard .093"  
Pin and Socket  
Receptacle  
Housings, 9 Circuits,  
3 Rows, Natural  
2.36mm Diameter 3091121  
Standard .093"  
Pin and Socket  
Receptacle Housing,  
12 Circuits, 3 Rows,  
Panel Mountable,  
without Passive  
Locking Ramps  
2.36mm Diameter 3091125  
Standard .093"  
Pin and Socket  
Receptacle Housing,  
12 Circuits, 3 Rows,  
Natural  
2.36mm Diameter 3091126  
Standard .093"  
Pin and Socket  
Receptacle Housing,  
12 Circuits, 3 Rows,  
Natural  
2.36mm Diameter 3091151  
Standard .093"  
Pin and Socket  
Receptacle Housing,  
15 Circuits, 3 Rows,  
with Pre-Bent  
Mounting Ears,  
without Lock Ramps  
2.36mm Diameter 3091152  
Standard .093"  
Pin and Socket  
Receptacle Housing,  
15 Circuits, 3 Rows,  
without Mounting  
Ears, without Lock  
Ramps  
2.36mm Diameter 3091153  
Standard .093"  
Pin and Socket  
Receptacle Housing,  
15 Circuits, 3 Rows,  
with Pre-bent  
Mounting Ears, with  
Lock Ramps  
2.36mm Diameter 3091157  
Standard .093"  
Pin and Socket  
Receptacle Housing,

15 Circuits, 3 Rows, without Mounting Ears, with Lock Ramps	
2.36mm Diameter Standard .093" Pin and Socket Receptacle Housing without Mounting Ears, Positive Lock, 2 Circuits	<u>3091161</u>
2.36mm Diameter Standard .093" Pin and Socket Plug Housing, 1 Circuit, Friction Lock, Natural	<u>3092011</u>
2.36mm Diameter Standard .093" Pin and Socket Plug Housing, 2 Circuits, with Standard Mounting Ears, Natural	<u>3092021</u>
2.36mm Diameter Standard .093" Pin and Socket Plug Housing, 2 Circuits, without Mounting Ears, Natural	<u>3092022</u>
2.36mm Diameter Standard .093" Pin and Socket Plug Housing, 3 Circuits, Single Row, Natural	<u>3092031</u>
2.36mm Diameter Standard .093" Pin and Socket Plug Housing, 3 Circuits, Single Row, Natural	<u>3092032</u>
2.36mm Diameter Standard .093" Pin and Socket Plug Housing, 4 Circuits, Single Row	<u>3092041</u>
2.36mm Diameter Standard .093" Pin and Socket Plug Housing, 4 Circuits, Single Row	<u>3092042</u>
2.36mm Diameter Standard .093" Pin and Socket Plug Housing, 4 Circuits, Dual Row, without Mounting Ears, Natural	<u>3092049</u>
2.36mm Diameter Standard .093" Pin and Socket Plug Housing, 6 Circuits, Dual Row	<u>3092061</u>
2.36mm Diameter Standard .093" Pin and Socket Plug	<u>3092062</u>

Housing, 6 Circuits, Dual Row 2.36mm Diameter Standard .093" Pin and Socket Plug	<u>3092092</u>
Housings, 9 Circuits, 3 Rows 2.36mm Diameter Standard .093" Pin and Socket Plug	<u>3092121</u>
Housing, 12 Circuits, 3 Rows 2.36mm Diameter Standard .093" Pin and Socket Plug	<u>3092122</u>
Housing, 12 Circuits, 3 Rows 2.36mm Diameter Standard .093" Pin and Socket Plug	<u>3092151</u>
Housing, 15 Circuits, 3 Rows, without Mounting Ears, with Pull Tabs, without Lock Windows	<u>3092159</u>
2.36mm Diameter Standard .093" Pin and Socket Plug Housing, 15 Circuits, 3 Rows, with Pre- Bent Mounting Ears, without Pull Tabs, with Lock Windows	<u>3092161</u>
2.36mm Diameter Standard .093" Pin and Socket Plug Housing without Mounting Ears, Positive Lock, 2 Circuits	<u>3096021</u>
2.36mm Diameter Standard .093" Pin and Socket Receptacle Housing, 2 Circuits, with Pre- bent Mounting Ears, with Ramps, Black	<u>3097022</u>
2.36mm Diameter Standard .093" Pin and Socket Plug Housing, 2 Circuits, without Mounting Ears, Black	<u>3097024</u>
2.36mm Diameter Standard .093" Pin and Socket Plug Housing, 2 Circuits, without Mounting Ears, Red	<u>3097032</u>
2.36mm Diameter Standard .093" Pin and Socket Plug Housing, 3 Circuits, Single Row, Black	

3.18mm Diameter, [3121022](#)  
HCS125, Pin and  
Socket Receptacle  
Housing, 2 Circuits,  
Single Row, with and  
without Panel Mount  
Ears

3.18mm Diameter, [3121026](#)  
HCS125, Pin and  
Socket Receptacle  
Housing, Single  
Row, 2 Circuits,  
Natural (Translucent)

3.18mm Diameter, [3121036](#)  
HCS125, Pin and  
Socket Receptacle  
Housing, Single  
Row, without Panel  
Mount Ears, 3  
Circuits, Natural,  
Nylon 94V-2

3.18mm Diameter, [3121046](#)  
HCS125, Pin and  
Socket Receptacle  
Housing, Single  
Row, 4 Circuits,  
Natural (Translucent)

3.18mm Diameter, [3122022](#)  
HCS125, Pin  
and Socket Plug  
Housing, 2 Circuits,  
Single Row, with and  
without Panel Mount  
Ears

3.18mm Diameter, [3122025](#)  
HCS125, Pin  
and Socket Plug  
Housing, Single  
Row, with Panel  
Mount Ears, 2  
Circuits, Natural  
(Translucent)

3.18mm Diameter, [3122026](#)  
HCS125, Pin  
and Socket Plug  
Housing, Single  
Row, without Panel  
Mount Ears, 2  
Circuits, Natural  
(Translucent)

3.18mm Diameter, [3122035](#)  
HCS125, Pin  
and Socket Plug  
Housing, Single  
Row, with Panel  
Mount Ears, 3  
Circuits, Natural,  
Nylon 94V-2

3.18mm Diameter, [3122036](#)  
HCS125, Pin  
and Socket Plug  
Housing, Single  
Row, without Panel  
Mount Ears, 3

Circuits, Natural,  
 Nylon 94V-2  
 3.18mm Diameter, 3122045  
 HCS125, Pin  
 and Socket Plug  
 Housing, Single  
 Row, with Panel  
 Mount Ears, 4  
 Circuits, Natural  
 (Translucent)  
 3.18mm Diameter, 3122046  
 HCS125, Pin  
 and Socket Plug  
 Housing, Single  
 Row, without Panel  
 Mount Ears, 4  
 Circuits, Natural  
 (Translucent)  
 Crimp Terminal 5121004  
 2482, 10-16 AWG,  
 Reel  
 Crimp Terminal 5121005  
 2482, 10-16 AWG,  
 Bag  
 Crimp Terminal 5121006  
 2482, 10-16 AWG,  
 Reel  
 Crimp Terminal 5121008  
 2482, 10-16 AWG,  
 Reel  
 Crimp Terminal 5121104  
 6482, 14-18 AWG,  
 Reel  
 Flat Blade Appliance 6021103  
 Motor Switch Crimp  
 Housing, 10 Circuits  
 Flat Blade Appliance 6022030  
 Water Valve Crimp  
 Housing, 3 Circuit,  
 Natural  
 Flat Blade Appliance 6023042  
 Defrost Timer Crimp  
 Housing, 4 Circuit, 4  
 Circuits  
 Flat Blade Appliance 6023103  
 Motor Switch Crimp  
 Housing, 10 Circuit,  
 10 Circuits  
 Flat Blade Appliance 6023104  
 Dryer Motor Crimp  
 Housing, 10 Circuit  
 KK 254 Cat Ear 8500030  
 Crimp Terminal  
 4809, 22-30 AWG,  
 Hot Tin Dip, 2.20mm  
 Insulation Crimp,  
 Reel  
 KK 254 Cat Ear 8500031  
 Crimp Terminal  
 4809, 22-30 AWG,  
 Hot Tin Dip, Reel  
 KK 254 Cat Ear 8500032  
 Crimp Terminal  
 4809, 22-30 AWG,  
 Hot Tin Dip, Bag

KK 254 Crimp Terminal, 22-30 AWG, Hot Tin (Sn) Dip Plating	<u>8500113</u>
KK 254 Crimp Terminal, 22-30 AWG, Bag, Hot Tin (Sn) Dip Plating	<u>8500114</u>
KK 254 Crimp Terminal 4809, 22-30 AWG, Hot Tin Dip, Reel	<u>8500135</u>
KK 254 Crimp Terminal 4809, 22-30 AWG, Tin, Bag	<u>8500136</u>
KK 254 Crimp Terminal, 22-30 AWG, Reel, Tin (Sn) Plating, Nickel (Ni) Under Plating	<u>8500159</u>
KK 254 Crimp Terminal, 22-30 AWG, Bag, Tin (Sn) Plating, Nickel (Ni) Under Plating	<u>8500160</u>
KK 100 Crp Term Std 22-30 Awg Unplt	<u>8510101</u>
KK 254 Crimp Terminal, 22-30 AWG, Reel, Tin (Sn), Nickel (Ni) Under Plating	<u>8510108</u>
KK 254 Crimp Terminal 6459, 22-30 AWG, Reel, Phosphor Bronze Tin (Sn)	<u>8520101</u>
KK .100 CRIMP TERMINAL 100MI MATTE TIN	<u>8520118</u>
KK 254 Crimp Terminal 6459, 22-30 AWG, Bag, Phosphor Bronze Tin (Sn)	<u>8520123</u>
3.96mm Pitch KK Crimp Terminal 2878, 18-20 AWG, Bag, Phosphor Bronze, Tin (Sn), Bifurcated	<u>8520127</u>
KK 156 TERMINAL CRIMP 1820 AWG	<u>8530814</u>
KK 254 Crimp Terminal, 22-30 AWG, Reel, Selective Gold (Au), Nickel (Ni) Under Plating	<u>8550101</u>
KK 254 Crimp Terminal, 22-30 AWG, Bag, Selective Gold (Au), Nickel (Ni) Under Plating	<u>8550102</u>



KK 254 Crimp Terminal 4809, 22-30 AWG, Selective Gold (Au), Reel	<u>8550110</u>
KK 254 Crimp Terminal 4809, 22-30 AWG, Selective Gold (Au), Bag	<u>8550111</u>
KK 254 Cat Ear Crimp Terminal 4809, 22-30 AWG, Selective Gold, Reel	<u>8550112</u>
KK 254 Crimp Terminal, 22-30 AWG, Reel, Selective Gold (Au), Nickel (Ni) Under Plating	<u>8550130</u>
KK 254 Crimp Terminal, 22-30 AWG, Bag, Selective Gold (Au), Nickel (Ni) Under Plating	<u>8550131</u>
KK 254 Crimp Terminal, 22-30 AWG, Reel, Gold (Au), Nickel (Ni) Under Plating	<u>8560109</u>
KK 254 Crimp Terminal, 22-30 AWG, Bag, Gold (Au), Nickel (Ni) Under Plating	<u>8560110</u>
KK 254 Crimp Terminal 4809, 22-30 AWG, Selective Gold (Au), Bag	<u>8560115</u>
KK 254 Crimp Terminal 4809, 22-30 AWG, Selective Gold (Au), Reel	<u>8560120</u>
KK 100 Crp Term Std 22-30 Awg SGold	<u>8650801</u>
KK 100 Crp Term Std 22-30 Awg SGold	<u>8650811</u>
KK 100 Crp Term Std 22-30 Awg SGold	<u>8650812</u>
KK 254 Crimp Terminal 6459, 22-30 AWG, Reel, Phosphor Bronze Gold (Au)	<u>8650813</u>
KK 254 Crimp Terminal 6459, 22-30 AWG, Bag, Phosphor Bronze Gold (Au)	<u>8650814</u>
KK 254 Crimp Terminal 6459, 22-30 AWG, Reel, Phosphor Bronze Selective Gold (Au)	<u>8650815</u>

KK 254 Crimp Terminal 6459, 22-30 AWG, Bag, Phosphor Bronze Selective Gold (Au)	<u>8650816</u>
KK 100 Crp Term Std 22-30 Awg SGold	<u>8650817</u>
3.96 and 5.08mm Pitch KK Cat Ear Crimp Terminal, Female, 18-24 AWG, Reel	<u>8700012</u>
SPOX Crimp Terminal, 18-24 AWG, Brass, Bag	<u>8701030</u>
3.96mm Pitch KK Crimp Housing, Edge Card Connector, Single-Sided, Polarized, Positive Lock, with Probe Hole, 3 Circuits	<u>9011036</u>
KK 396 PC Board Connector, Right Angle, Polyester Connector, 5.00µm Tin (Sn), 2 Circuits	<u>9481024</u>
KK 396 PC Board Connector, Right Angle, Polyester Connector, 5.00µm Tin (Sn), 2 Circuits	<u>9481104</u>
KK 396 PC Board Connector, Right Angle, Polyester Connector, 5.00µm Tin (Sn), 10 Circuits	<u>9481105</u>
KK 396 PC Board Connector, Top Entry, Polyester Connector, Gold (Au) Selective, 10 Circuits	<u>9483024</u>
KK 396 PC Board Connector, Bottom Entry, Polyester Connector, Gold (Au) Selective, 2 Circuits	<u>9483025</u>
KK 396 PC Board Connector, Right Angle, Polyester Connector, Gold (Au) Selective, 2 Circuits	<u>9483026</u>
KK 396 PC Board Connector, Top Entry, Polyester Connector, Gold (Au) Selective, 2 Circuits	<u>9483104</u>
KK 396 PC Board Connector, Bottom Entry, Polyester Connector, Gold (Au) Selective, 10 Circuits	<u>9483105</u>
KK 396 PC Board Connector, Right-Angle, Polyester Connector, Gold (Au) Selective, 10 Circuits	<u>9483106</u>
KK 396 PC Board Connector, Top	

Entry, Polyester  
Connector, Gold (Au)  
Selective, 10 Circuits  
KK 396 PC Board 9484028  
Connector, Top  
Entry, Polyester  
Connector, 5.00µm  
Tin (Sn), 2 Circuits  
KK 396 PC Board 9484029  
Connector, Bottom  
Entry, Polyester  
Connector, 5.00µm  
Tin (Sn), 2 Circuits  
KK 396 PC Board 9484039  
Connector, Bottom  
Entry, Polyester  
Connector, 5.00µm  
Tin (Sn), 3 Circuits  
KK 396 PC Board 9484099  
Connector, Bottom  
Entry, Polyester  
Connector, 5.00µm  
Tin (Sn), 9 Circuits  
KK 396 PC Board 9484108  
Connector, Top  
Entry, Polyester  
Connector, 5.00µm  
Tin (Sn), 10 Circuits  
KK 396 PC Board 9484109  
Connector, Bottom  
Entry, Polyester  
Connector, 5.00µm  
Tin (Sn), 10 Circuits  
KK 396 PC Board 9484118  
Connector, Top  
Entry, Polyester  
Connector, 5.00µm  
Tin (Sn), 11 Circuits  
KK 396 PC Board 9484149  
Connector, Bottom  
Entry, Polyester  
Connector, 5.00µm  
Tin (Sn), 14 Circuits  
3.96mm Pitch SPOX 9501021  
Crimp Housing,  
Female, with Friction  
Ramp, 2 Circuits,  
Natural  
3.96mm Pitch SPOX 9501023  
Crimp Housing,  
Female, with Friction  
Ramp and Void, 2  
Circuits, Natural  
3.96mm Pitch SPOX 9501031  
Crimp Housing,  
Female, with Friction  
Ramp, 3 Circuits,  
Natural  
3.96mm Pitch SPOX 9501033  
Crimp Housing,  
Female, with Friction  
Ramp and Void, 3  
Circuits, Natural  
3.96mm Pitch SPOX 9501041  
Crimp Housing,

Female, with Friction  
Ramp, 4 Circuits,  
Natural  
3.96mm Pitch SPOX [9501043](#)  
Crimp Housing,  
Female, with Friction  
Ramp and Void, 4  
Circuits, Natural  
3.96mm Pitch SPOX [9501051](#)  
Crimp Housing,  
Female, with Friction  
Ramp, 5 Circuits,  
Natural  
3.96mm Pitch SPOX [9501053](#)  
Crimp Housing,  
Female, with Friction  
Ramp and Void, 5  
Circuits, Natural  
3.96mm Pitch SPOX [9501061](#)  
Crimp Housing,  
Female, with Friction  
Ramp, 6 Circuits,  
Natural  
3.96mm Pitch SPOX [9501063](#)  
Crimp Housing,  
Female, with Friction  
Ramp and Void, 6  
Circuits, Natural  
3.96mm Pitch SPOX [9501071](#)  
Crimp Housing,  
Female, with Friction  
Ramp, 7 Circuits,  
Natural  
3.96mm Pitch SPOX [9501073](#)  
Crimp Housing,  
Female, with Friction  
Ramp and Void, 7  
Circuits, Natural  
3.96mm Pitch SPOX [9501081](#)  
Crimp Housing,  
Female, with Friction  
Ramp, 8 Circuits,  
Natural  
3.96mm Pitch SPOX [9501083](#)  
Crimp Housing,  
Female, with Friction  
Ramp and Void, 8  
Circuits, Natural  
3.96mm Pitch SPOX [9501091](#)  
Crimp Housing,  
Female, with Friction  
Ramp, 9 Circuits,  
Natural  
3.96mm Pitch SPOX [9501101](#)  
Crimp Housing,  
Female, with Friction  
Ramp, 10 Circuits,  
Natural  
3.96mm Pitch SPOX [9501103](#)  
Crimp Housing,  
Female, with Friction  
Ramp and Void, 10  
Circuits, Natural  
3.96mm Pitch SPOX [9501111](#)  
Crimp Housing,

Female, with Friction  
Ramp, 11 Circuits,  
Natural  
3.96mm Pitch SPOX 9501113  
Crimp Housing,  
Female, with Friction  
Ramp and Void, 11  
Circuits, Natural  
3.96mm Pitch SPOX 9501121  
Crimp Housing,  
Female, with Friction  
Ramp, 12 Circuits,  
Natural  
KK 3.96mm Crimp 9503021  
Terminal Housing,  
Friction Ramp, 2  
Circuits, Natural  
KK 3.96mm Crimp 9503031  
Terminal Housing,  
Friction Ramp, 3  
Circuits, Natural  
KK 3.96mm Crimp 9503041  
Terminal Housing,  
Friction Ramp, 4  
Circuits, Natural  
KK 3.96mm Crimp 9503051  
Terminal Housing,  
Friction Ramp, 5  
Circuits, Natural  
KK 3.96mm Crimp 9503061  
Terminal Housing,  
Friction Ramp, 6  
Circuits, Natural  
KK 3.96mm Crimp 9503071  
Terminal Housing,  
Friction Ramp, 7  
Circuits, Natural  
KK 3.96mm Crimp 9503081  
Terminal Housing,  
Friction Ramp, 8  
Circuits, Natural  
KK 3.96mm Crimp 9503091  
Terminal Housing,  
Friction Ramp, 9  
Circuits, Natural  
KK 3.96mm Crimp 9503101  
Terminal Housing,  
Friction Ramp, 10  
Circuits, Natural  
KK 3.96mm Crimp 9503111  
Terminal Housing,  
Friction Ramp, 11  
Circuits, Natural  
KK 3.96mm Crimp 9503121  
Terminal Housing,  
Friction Ramp, 12  
Circuits, Natural  
KK 3.96mm Crimp 9503131  
Terminal Housing,  
Friction Ramp, 13  
Circuits, Natural  
KK 3.96mm Crimp 9503141  
Terminal Housing,  
Friction Ramp, 14  
Circuits, Natural

KK 3.96mm Crimp Terminal Housing, Friction Ramp, 15 Circuits, Natural	<u>9503151</u>
KK 3.96mm Crimp Terminal Housing, Friction Ramp, 16 Circuits, Natural	<u>9503161</u>
KK 3.96mm Crimp Terminal Housing, Friction Ramp, 17 Circuits, Natural	<u>9503171</u>
KK 3.96mm Crimp Terminal Housing, Friction Ramp, 18 Circuits, Natural	<u>9503181</u>
KK 3.96mm Crimp Terminal Housing, Friction Ramp, 19 Circuits, Natural	<u>9503191</u>
KK 3.96mm Crimp Terminal Housing, Friction Ramp, 20 Circuits, Natural	<u>9503201</u>
KK 3.96mm Crimp Terminal Housing, Friction Ramp, 21 Circuits, Natural	<u>9503211</u>
KK 3.96mm Crimp Terminal Housing, Friction Ramp, 22 Circuits, Natural	<u>9503221</u>
KK 3.96mm Crimp Terminal Housing, Friction Ramp, 23 Circuits, Natural	<u>9503231</u>
KK 3.96mm Crimp Terminal Housing, Friction Ramp, 24 Circuits, Natural	<u>9503241</u>
KK 3.96mm Crimp Terminal Housing, 2 Circuits, Natural	<u>9507021</u>
KK 3.96mm Crimp Terminal Housing, 3 Circuits, Natural	<u>9507031</u>
KK 3.96mm Crimp Terminal Housing, 4 Circuits, Natural	<u>9507041</u>
KK 3.96mm Crimp Terminal Housing, 5 Circuits, Natural	<u>9507051</u>
KK 3.96mm Crimp Terminal Housing, 6 Circuits, Natural	<u>9507061</u>
KK 3.96mm Crimp Terminal Housing, 7 Circuits, Natural	<u>9507071</u>
KK 3.96mm Crimp Terminal Housing, 8 Circuits, Natural	<u>9507081</u>
KK 3.96mm Crimp Terminal Housing, 9 Circuits, Natural	<u>9507091</u>

KK 3.96mm Crimp 9507101  
Terminal Housing, 10  
Circuits, Natural  
KK 3.96mm Crimp 9507111  
Terminal Housing, 11  
Circuits, Natural  
KK 3.96mm Crimp 9507121  
Terminal Housing, 12  
Circuits, Natural  
KK 3.96mm Crimp 9507131  
Terminal Housing, 13  
Circuits, Natural  
KK 3.96mm Crimp 9507141  
Terminal Housing, 14  
Circuits, Natural  
KK 3.96mm Crimp 9507151  
Terminal Housing, 15  
Circuits, Natural  
KK 3.96mm Crimp 9507161  
Terminal Housing, 16  
Circuits, Natural  
KK 3.96mm Crimp 9507171  
Terminal Housing, 17  
Circuits, Natural  
KK 3.96mm Crimp 9507181  
Terminal Housing, 18  
Circuits, Natural  
KK 3.96mm Crimp 9507191  
Terminal Housing, 19  
Circuits, Natural  
KK 3.96mm Crimp 9507201  
Terminal Housing, 20  
Circuits, Natural  
KK 3.96mm Crimp 9507211  
Terminal Housing, 21  
Circuits, Natural  
KK 3.96mm Crimp 9507221  
Terminal Housing, 22  
Circuits, Natural  
KK 3.96mm Crimp 9507231  
Terminal Housing, 23  
Circuits, Natural  
KK 3.96mm Crimp 9507241  
Terminal Housing, 24  
Circuits, Natural  
KK 3.96mm Crimp 9508020  
Terminal Housing, 2  
Circuits, Natural  
KK 3.96mm Crimp 9508021  
Terminal Housing,  
Friction Ramp, 2  
Circuits, Natural  
KK 3.96mm Crimp 9508023  
Terminal Housing,  
Friction Ramp, 2  
Circuits, Natural  
KK 3.96mm Crimp 9508030  
Terminal Housing, 3  
Circuits, Natural  
KK 3.96mm Crimp 9508033  
Terminal Housing,  
Friction Ramp, 3  
Circuits, Natural  
KK 3.96mm Crimp 9508041  
Terminal Housing,

Friction Ramp, 4 Circuits, Natural KK 3.96mm Crimp Terminal Housing, 5	<u>9508050</u>
Circuits, Natural KK 3.96mm Crimp Terminal Housing, Friction Ramp, 5	<u>9508051</u>
Circuits, Natural KK 3.96mm Crimp Terminal Housing, Friction Ramp, 5	<u>9508053</u>
Circuits, Natural KK 3.96mm Crimp Terminal Housing, Friction Ramp, 6	<u>9508063</u>
Circuits, Natural KK 3.96mm Crimp Terminal Housing, Friction Ramp, 7	<u>9508071</u>
Circuits, Natural KK 3.96mm Crimp Terminal Housing, 8	<u>9508080</u>
Circuits, Natural KK 3.96mm Crimp Terminal Housing, Friction Ramp, 9	<u>9508093</u>
Circuits, Natural KK 3.96mm Crimp Terminal Housing, 10	<u>9508100</u>
Circuits, Natural KK 3.96mm Crimp Terminal Housing, Friction Ramp, 10	<u>9508101</u>
Circuits, Natural KK 3.96mm Crimp Terminal Housing, Friction Ramp, 10	<u>9508103</u>
Circuits, Natural KK 3.96mm Crimp Terminal Housing, Friction Ramp, 11	<u>9508111</u>
Circuits, Natural KK 3.96mm Crimp Terminal Housing, 12	<u>9508120</u>
Circuits, Natural KK 3.96mm Crimp Terminal Housing, Friction Ramp, 12	<u>9508123</u>
Circuits, Natural KK 3.96mm Crimp Terminal Housing, Friction Ramp, 13	<u>9508131</u>
Circuits, Natural KK 3.96mm Crimp Terminal Housing, Friction Ramp, 13	<u>9508133</u>
Circuits, Natural KK 3.96mm Crimp Terminal Housing, Friction Ramp, 14	<u>9508141</u>
Circuits, Natural 3.96mm Pitch KK Crimp Housing, Female, Friction	<u>9524024</u>



Ramp, 2 Circuits, Natural	
3.96mm Pitch KK Crimp Housing, Female, Friction	<u>9524034</u>
Ramp, 3 Circuits, Natural	
3.96mm Pitch KK Crimp Housing, Female, Friction	<u>9524044</u>
Ramp, 4 Circuits, Natural	
3.96mm Pitch KK Crimp Housing, Female, Friction	<u>9524054</u>
Ramp, 5 Circuits, Natural	
3.96mm Pitch KK Crimp Housing, Female, Friction	<u>9524064</u>
Ramp, 6 Circuits, Natural	
SPOX and KK 396 Wire-to-Board Header, Vertical, with Friction Lock, 2 Circuits	<u>9652028</u>
SPOX and KK 396 Wire-to-Board Header, Vertical, with Friction Lock, with Void, 2 Circuits	<u>9652029</u>
SPOX and KK 396 Wire-to-Board Header, Vertical, with Friction Lock, 3 Circuits	<u>9652038</u>
SPOX and KK 396 Wire-to-Board Header, Vertical, with Friction Lock, with Void, 3 Circuits	<u>9652039</u>
SPOX and KK 396 Wire-to-Board Header, Vertical, with Friction Lock, 4 Circuits	<u>9652048</u>
SPOX and KK 396 Wire-to-Board Header, Vertical, with Friction Lock, with Void, 4 Circuits	<u>9652049</u>
SPOX and KK 396 Wire-to-Board Header, Vertical, with Friction Lock, 5 Circuits	<u>9652058</u>
SPOX and KK 396 Wire-to-Board Header, Vertical, with Friction Lock, 6 Circuits	<u>9652068</u>
SPOX and KK 396 Wire-to-Board Header, Vertical, with	<u>9652069</u>

Friction Lock, with Void, 6 Circuits SPOX and KK	<u>9652078</u>
396 Wire-to-Board Header, Vertical, with Friction Lock, 7 Circuits SPOX and KK	<u>9652079</u>
396 Wire-to-Board Header, Vertical, with Friction Lock, with Void, 7 Circuits SPOX and KK	<u>9652088</u>
396 Wire-to-Board Header, Vertical, with Friction Lock, 8 Circuits SPOX and KK	<u>9652089</u>
396 Wire-to-Board Header, Vertical, with Friction Lock, with Void, 8 Circuits KK 3.96mm Crimp	<u>9930200</u>
Terminal Housing, Friction Ramp, 2 Circuits, Glow-Wire Capable KK 3.96mm Crimp	<u>9930300</u>
Terminal Housing, Friction Ramp, 3 Circuits, Glow-Wire Capable KK 3.96mm Crimp	<u>9930400</u>
Terminal Housing, Friction Ramp, 4 Circuits, Glow-Wire Capable KK 3.96mm Crimp	<u>9930500</u>
Terminal Housing, Friction Ramp, 5 Circuits, Glow-Wire Capable KK 3.96mm Crimp	<u>9930600</u>
Terminal Housing, Friction Ramp, 6 Circuits, Glow-Wire Capable KK 3.96mm Crimp	<u>9930700</u>
Terminal Housing, Friction Ramp, 7 Circuits, Glow-Wire Capable KK 3.96mm Crimp	<u>9930800</u>
Terminal Housing, Friction Ramp, 8 Circuits, Glow-Wire Capable KK 3.96mm Crimp	<u>9930900</u>
Terminal Housing, Friction Ramp, 9 Circuits, Glow-Wire Capable KK 3.96mm Crimp	<u>9931000</u>
Terminal Housing, Friction Ramp, 10	

Circuits, Glow-Wire Capable	
KK 3.96mm Crimp Terminal Housing, Friction Ramp, 11	<u>9931100</u>
Circuits, Glow-Wire Capable	
KK 3.96mm Crimp Terminal Housing, Friction Ramp, 12	<u>9931200</u>
Circuits, Glow-Wire Capable	
15 PIN MICRO-D FEMAL ASSY M8351309B11	<u>10008503</u>
15/C METALSHELL RECEPT.WIRED	<u>10008637</u>
15/C METAL SHELL PLUG WIRED	<u>10008638</u>
25/C RECEPT. HARNESS ASSY	<u>10008645</u>
37/C RECEPT. HARNESS ASSY	<u>10008647</u>
STAT. 3CKT RECEPT. PIN 1/4 IN 1 FT	<u>10008653</u>
R/A 3CKT PLUG SOC. INSERT PUR 12 FEET	<u>10008654</u>
15/C M SHELL RECEPT. WIRED 72.0	<u>10008655</u>
5.08mm Pitch KK Crimp Terminal Housing, 2 Circuits, Natural	<u>10011024</u>
5.08mm Pitch KK Crimp Terminal Housing, 3 Circuits, Natural	<u>10011034</u>
5.08mm Pitch KK Crimp Terminal Housing, 4 Circuits, Natural	<u>10011044</u>
5.08mm Pitch KK Crimp Terminal Housing, 5 Circuits, Natural	<u>10011054</u>
5.08mm Pitch KK Crimp Terminal Housing, 6 Circuits, Natural	<u>10011064</u>
5.08mm Pitch KK Crimp Terminal Housing, 7 Circuits, Natural	<u>10011074</u>
5.08mm Pitch KK Crimp Terminal Housing, 8 Circuits, Natural	<u>10011084</u>
5.08mm Pitch KK Crimp Terminal Housing, 9 Circuits, Natural	<u>10011094</u>

5.08mm Pitch KK [10011104](#)  
Crimp Terminal  
Housing, 10 Circuits,  
Natural

5.08mm Pitch KK [10011114](#)  
Crimp Terminal  
Housing, 11 Circuits,  
Natural

5.08mm Pitch KK [10011124](#)  
Crimp Terminal  
Housing, 12 Circuits,  
Natural

5.08mm Pitch SPOX [10013026](#)  
Crimp Terminal  
Housing, 2 Circuits,  
Natural

5.08mm Pitch SPOX [10013036](#)  
Crimp Terminal  
Housing, 3 Circuits,  
Natural

5.08mm Pitch SPOX [10013046](#)  
Crimp Terminal  
Housing, 4 Circuits,  
Natural

5.08mm Pitch SPOX [10013056](#)  
Crimp Terminal  
Housing, 5 Circuits,  
Natural

5.08mm Pitch SPOX [10013066](#)  
Crimp Terminal  
Housing, 6 Circuits,  
Natural

5.08mm Pitch SPOX [10013076](#)  
Crimp Terminal  
Housing, 7 Circuits,  
Natural

5.08mm Pitch SPOX [10013086](#)  
Crimp Terminal  
Housing, 8 Circuits,  
Natural

5.08mm Pitch SPOX [10013096](#)  
Crimp Terminal  
Housing, 9 Circuits,  
Natural

KK PC Board [10021022](#)  
Connector, Bottom  
Entry Mount Style B,  
1.00µm Tin (Sn), 2  
Circuits

KK PC Board [10021032](#)  
Connector, Bottom  
Entry Mount Style B,  
1.00µm Tin (Sn), 3  
Circuits

KK PC Board [10021042](#)  
Connector, Bottom  
Entry Mount Style B,  
1.00µm Tin (Sn), 4  
Circuits

KK PC Board [10021052](#)  
Connector, Bottom  
Entry Mount Style B,  
1.00µm Tin (Sn), 5  
Circuits

KK PC Board Connector, Bottom Entry Mount Style B, 1.00µm Tin (Sn), 6 Circuits	<u>10021062</u>
KK PC Board Connector, Bottom Entry Mount Style B, 1.00µm Tin (Sn), 7 Circuits	<u>10021072</u>
KK PC Board Connector, Bottom Entry Mount Style B, 1.00µm Tin (Sn), 8 Circuits	<u>10021082</u>
KK PC Board Connector, Bottom Entry Mount Style B, 1.00µm Tin (Sn), 9 Circuits	<u>10021092</u>
KK PC Board Connector, Bottom Entry Mount Style B, 1.00µm Tin (Sn), 10 Circuits	<u>10021102</u>
KK PC Board Connector, Bottom Entry Mount Style B, 1.00µm Tin (Sn), 11 Circuits	<u>10021112</u>
KK PC Board Connector, Bottom Entry Mount Style B, 1.00µm Tin (Sn), 12 Circuits	<u>10021122</u>
5.08mm Pitch KK Header, Right Angle, Square Pin, 4 Circuits, Tin (Sn) Plating	<u>10061045</u>
KK Header, Right Angle, Square Pin, 5 Circuits, Tin (Sn) Plating	<u>10061055</u>
KK Header, Vertical, Round Pin, 2 Circuits, Tin (Sn) Plating, Pin Length 19.05mm	<u>10081021</u>
KK Header, Vertical, Round Pin, 2 Circuits, Tin (Sn) Plating, Pin Length 23.80mm	<u>10081022</u>
KK Header, Vertical, Round Pin, 2 Circuits, Tin (Sn) Plating, Pin Length 20.32mm	<u>10081029</u>
KK Header, Vertical, Round Pin, 3 Circuits, Tin (Sn) Plating, Pin Length 19.05mm	<u>10081031</u>

KK Header, Vertical, [10081039](#)  
Round Pin, 3  
Circuits, Tin (Sn)  
Plating, Pin Length  
20.32mm

KK Header, Vertical, [10081041](#)  
Round Pin, 4  
Circuits, Tin (Sn)  
Plating, Pin Length  
19.05mm

KK Header, Vertical, [10081049](#)  
Round Pin, 4  
Circuits, Tin (Sn)  
Plating, Pin Length  
20.32mm

KK Header, Vertical, [10081051](#)  
Round Pin, 5  
Circuits, Tin (Sn)  
Plating, Pin Length  
19.05mm

KK Header, Vertical, [10081061](#)  
Round Pin, 6  
Circuits, Tin (Sn)  
Plating, Pin Length  
19.05mm

KK Header, Vertical, [10081069](#)  
Round Pin, 6  
Circuits, Tin (Sn)  
Plating, Pin Length  
20.32mm

KK Header, Vertical, [10081071](#)  
Round Pin, 7  
Circuits, Tin (Sn)  
Plating, Pin Length  
19.05mm

KK Header, Vertical, [10081081](#)  
Round Pin, 8  
Circuits, Tin (Sn)  
Plating, Pin Length  
19.05mm

KK Header, Vertical, [10081082](#)  
Round Pin, 8  
Circuits, Tin (Sn)  
Plating, Pin Length  
23.80mm

KK Header, Vertical, [10081089](#)  
Round Pin, 8  
Circuits, Tin (Sn)  
Plating, Pin Length  
20.32mm

KK Header, Vertical, [10081091](#)  
Round Pin, 9  
Circuits, Tin (Sn)  
Plating, Pin Length  
19.05mm

KK Header, Vertical, [10081101](#)  
Round Pin, 10  
Circuits, Tin (Sn)  
Plating, Pin Length  
19.05mm

KK Header, Vertical, [10081102](#)  
Round Pin, 10  
Circuits, Tin (Sn)  
Plating, Pin Length  
23.80mm

KK Header, Vertical, 10081111  
Round Pin, 11  
Circuits, Tin (Sn)  
Plating, Pin Length  
19.05mm

KK Header, Vertical, 10081112  
Round Pin, 11  
Circuits, Tin (Sn)  
Plating, Pin Length  
23.80mm

KK Header, Vertical, 10081121  
Round Pin, 12  
Circuits, Tin (Sn)  
Plating, Pin Length  
19.05mm

KK Header, Vertical, 10085021  
with Polarizing  
Backwall, 2 Circuits,  
Tin (Sn) Plating

KK Header, Vertical, 10085031  
with Polarizing  
Backwall, 3 Circuits,  
Tin (Sn) Plating

KK Header, Vertical, 10085041  
with Polarizing  
Backwall, 4 Circuits,  
Tin (Sn) Plating

KK Header, Vertical, 10085051  
with Polarizing  
Backwall, 5 Circuits,  
Tin (Sn) Plating

KK Header, Vertical, 10085061  
with Polarizing  
Backwall, 6 Circuits,  
Tin (Sn) Plating

KK Header, Vertical, 10085071  
with Polarizing  
Backwall, 7 Circuits,  
Tin (Sn) Plating

KK Header, Vertical, 10085081  
with Polarizing  
Backwall, 8 Circuits,  
Tin (Sn) Plating

KK Header, Vertical, 10085091  
with Polarizing  
Backwall, 9 Circuits,  
Tin (Sn) Plating

KK Header, Vertical, 10085101  
with Polarizing  
Backwall, 10 Circuits,  
Tin (Sn) Plating

KK Header, Vertical, 10085111  
with Polarizing  
Backwall, 11 Circuits,  
Tin (Sn) Plating

KK Header, Vertical, 10085121  
with Polarizing  
Backwall, 12 Circuits,  
Tin (Sn) Plating

KK PC Board 10101021  
Connector, Right-  
Angle Mount Style A,  
1.00µm Tin (Sn), 2  
Circuits

KK PC Board Connector, Top Entry Mount Style C, 1.00µm Tin (Sn), 2 Circuits	<u>10101023</u>
KK PC Board Connector, Right- Angle Mount Style A, 1.00µm Tin (Sn), 3 Circuits	<u>10101031</u>
KK PC Board Connector, Top Entry Mount Style C, 1.00µm Tin (Sn), 3 Circuits	<u>10101033</u>
KK PC Board Connector, Right- Angle Mount Style A, 1.00µm Tin (Sn), 4 Circuits	<u>10101041</u>
KK PC Board Connector, Top Entry Mount Style C, 1.00µm Tin (Sn), 4 Circuits	<u>10101043</u>
KK PC Board Connector, Right- Angle Mount Style A, 1.00µm Tin (Sn), 5 Circuits	<u>10101051</u>
KK PC Board Connector, Top Entry Mount Style C, 1.00µm Tin (Sn), 5 Circuits	<u>10101053</u>
KK PC Board Connector, Right- Angle Mount Style A, 1.00µm Tin (Sn), 6 Circuits	<u>10101061</u>
KK PC Board Connector, Top Entry Mount Style C, 1.00µm Tin (Sn), 6 Circuits	<u>10101063</u>
KK PC Board Connector, Right- Angle Mount Style A, 1.00µm Tin (Sn), 7 Circuits	<u>10101071</u>
KK PC Board Connector, Top Entry Mount Style C, 1.00µm Tin (Sn), 7 Circuits	<u>10101073</u>
KK PC Board Connector, Right- Angle Mount Style A, 1.00µm Tin (Sn), 8 Circuits	<u>10101081</u>
KK PC Board Connector, Top Entry Mount Style C, 1.00µm Tin (Sn), 8 Circuits	<u>10101083</u>



KK PC Board Connector, Right- Angle Mount Style A, 1.00µm Tin (Sn), 9 Circuits	<u>10101091</u>
KK PC Board Connector, Top Entry Mount Style C, 1.00µm Tin (Sn), 9 Circuits	<u>10101093</u>
KK PC Board Connector, Right- Angle Mount Style A, 1.00µm Tin (Sn), 10 Circuits	<u>10101101</u>
KK PC Board Connector, Top Entry Mount Style C, 1.00µm Tin (Sn), 10 Circuits	<u>10101103</u>
KK PC Board Connector, Right- Angle Mount Style A, 1.00µm Tin (Sn), 11 Circuits	<u>10101111</u>
KK PC Board Connector, Top Entry Mount Style C, 1.00µm Tin (Sn), 11 Circuits	<u>10101113</u>
KK PC Board Connector, Right- Angle Mount Style A, 1.00µm Tin (Sn), 12 Circuits	<u>10101121</u>
KK PC Board Connector, Top Entry Mount Style C, 1.00µm Tin (Sn), 12 Circuits	<u>10101123</u>
KK 254 Crimp Housing, High Pressure, 2 Circuits, Natural	<u>10112023</u>
KK 254 Crimp Housing, High Pressure, 3 Circuits, Natural	<u>10112033</u>
KK 254 Crimp Housing, High Pressure, 4 Circuits, Natural	<u>10112043</u>
KK 254 Crimp Housing, High Pressure, 5 Circuits, Natural	<u>10112053</u>
KK 254 Crimp Housing, High Pressure, 6 Circuits, Natural	<u>10112063</u>
KK 254 Crimp Housing, High Pressure, 7 Circuits, Natural	<u>10112073</u>

KK 254 Crimp Housing, High Pressure, 8 Circuits, Natural	<u>10112083</u>
KK 254 Crimp Housing, High Pressure, 9 Circuits, Natural	<u>10112093</u>
KK 254 Crimp Housing, High Pressure, 10 Circuits, Natural	<u>10112103</u>
KK 254 Crimp Housing, High Pressure, 11 Circuit	<u>10112113</u>
KK 254 Crimp Housing, High Pressure, 12 Circuits, Natural	<u>10112123</u>
KK 254 Crimp Housing, High Pressure, 13 Circuits, Natural	<u>10112133</u>
KK 254 Crimp Housing, High Pressure, 14 Circuits, Natural	<u>10112143</u>
KK 254 Crimp Housing, High Pressure, 15 Circuits, Natural	<u>10112153</u>
KK 254 Crimp Housing, High Pressure, 16 Circuits, Natural	<u>10112163</u>
KK 254 Crimp Housing, High Pressure, 17 Circuits, Natural	<u>10112173</u>
KK 254 Crimp Housing, High Pressure, 18 Circuits, Natural	<u>10112183</u>
2.36mm Diameter Standard .093" Pin and Socket Header, Shrouded, 3 Circuits, 2 Male Terminals	<u>10181031</u>
2.36mm Diameter Standard .093" Pin and Socket Header, Shrouded, 3 Circuits, 3 Male Terminals	<u>10181032</u>
2.36mm Diameter Standard .093" Pin and Socket Header, Shrouded, 3 Circuits, 1 Female Terminal, 2 Male Terminals	<u>10181033</u>
2.36mm Diameter Standard .093" Pin and Socket Header, Shrouded, 3 Circuits, 1 Female Terminal, 2 Male Terminals	<u>10181034</u>

2.36mm Diameter Standard .093" Pin and Socket Header, Shrouded, 3 Circuits, 2 Male Terminals, 1 Female Terminal	<u>10181035</u>
2.36mm Diameter Standard .093" Pin and Socket Header, Shrouded, 3 Circuits, 1 Female Terminal, 1 Male Terminal	<u>10181036</u>
2.36mm Diameter Standard .093" Pin and Socket Header, Shrouded, 3 Circuits, 2 Female Terminals, 1 Male Terminal	<u>10181037</u>
2.36mm Diameter Standard .093" Pin and Socket Header, Shrouded, 3 Circuits, 3 Female Terminals	<u>10181038</u>
2.36mm Diameter Standard .093" Pin and Socket Header, Shrouded, 4 Circuits, 1 Female Terminal, 1 Male Terminal	<u>10181040</u>
2.36mm Diameter Standard .093" Pin and Socket Header, Shrouded, 4 Circuits, 4 Male Terminals	<u>10181041</u>
2.36mm Diameter Standard .093" Pin and Socket Header, Shrouded, 4 Circuits, 4 Female Terminals	<u>10181042</u>
2.36mm Diameter Standard .093" Pin and Socket Header, Shrouded, 4 Circuits, 1 Female Terminal, 3 Male Terminals	<u>10181043</u>
2.36mm Diameter Standard .093" Pin and Socket Header, Shrouded, 4 Circuits, 3 Female Terminals, 1 Male Terminals	<u>10181044</u>
2.36mm Diameter Standard .093" Pin and Socket Header, Shrouded, 4 Circuits, 2 Male Terminals, 2 Female Terminals	<u>10181045</u>
2.36mm Diameter Standard .093" Pin and Socket Header, Shrouded, 4 Circuits, 3 Male Terminals, 1 Female Terminal	<u>10181046</u>
2.36mm Diameter Standard .093" Pin	<u>10181047</u>

and Socket Header, Shrouded, 4 Circuits, 1 Female Terminal, 3 Male Terminals 2.36mm Diameter	<u>10181048</u>
Standard .093" Pin and Socket Header, Shrouded, 4 Circuits, 1 Female Terminal, 2 Male Terminals, 1 Female Terminal, 1 Male Terminal 2.36mm Diameter	<u>10181049</u>
Standard .093" Pin and Socket Header, Shrouded, 4 Circuits, 2 Female Terminals, 1 Male Terminal, 1 Female Terminal, 1 Male Terminal, 1 Female Terminal 2.36mm Diameter	<u>10181050</u>
Standard .093" Pin and Socket Header, Shrouded, 4 Circuits, 2 Female Terminals, 2 Male Terminals 2.36mm Diameter	<u>10181090</u>
Standard .093" Pin and Socket Header, Shrouded, 9 Circuits, 9 Male Terminals 2.36mm Diameter	<u>10181091</u>
Standard .093" Pin and Socket Header, 3 Rows, Shrouded, Unfilled Polyester, UL 94V-0, 9 Circuits, 9 Female Terminals 2.36mm Diameter	<u>10181120</u>
Standard .093" Pin and Socket Header, Shrouded, 12 Circuits, 12 Male Terminals 2.36mm Diameter	<u>10181122</u>
Standard .093" Pin and Socket Header, 3 Rows, Shrouded, Unfilled Polyester, UL 94V-0, 12 Circuits, 12 Female Terminals	

This document was generated on 09/21/2019

**PLEASE CHECK WWW.MOLEX.COM FOR LATEST PART INFORMATION**

# Mouser Electronics

Authorized Distributor

Click to View Pricing, Inventory, Delivery & Lifecycle Information:

[Molex:](#)

[200214-0030](#)