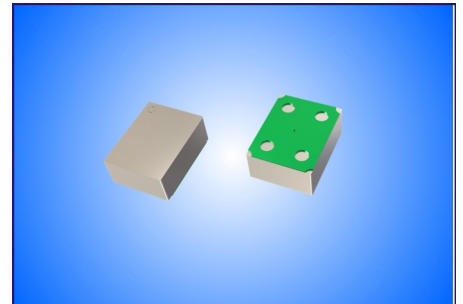


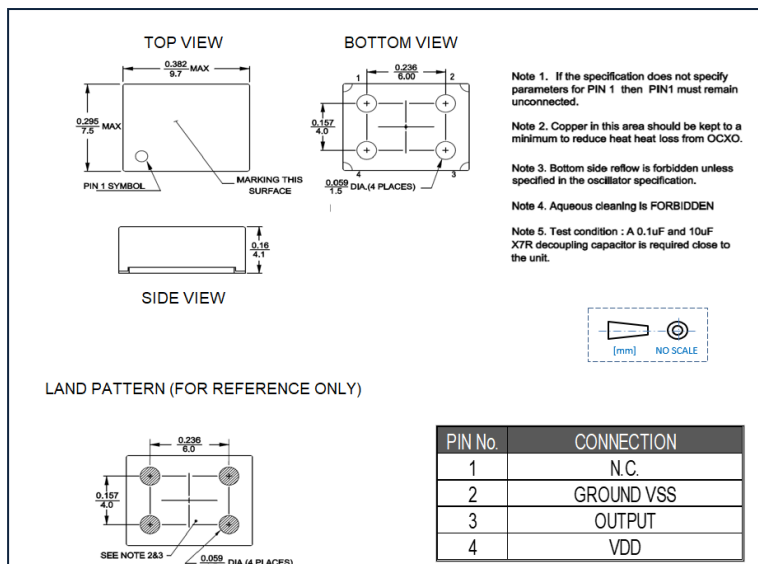
**O C X O UNIT WITH HCMOS OUTPUT IN SMD 9.7x7.5MM PACKAGE.**
**PRODUCT FEATURES**

- Small dimensions 9.7x7.5x4.1 with 4 solder pads.
- Tight stabilities over temperature range.
- RoHS compliant, LEAD-FREE.

**PRODUCT PHOTO (NOT IN SCALE)**

**PRODUCT SPECIFICATIONS**

PARAMETER	SUPPLY VOLTAGE	REMARKS
	3.3V	
Frequency range	10 ~ 40MHz	--
Frequency tolerance	±200ppb	Initial tol. @+25°C
Frequency stability	±5ppb / 20ppb / ±50ppb	See note below table
Operating temperature range	-20 to +70°C / -40 to +85°C	In combination to above stabilities.
Aging per year	±0.6ppm	@+25°C
Output waveform and load	CMOS 15pF	--
Output voltage level HIGH	2.4	Minimum
Output voltage level LOW	0.4	Maximum
Rise and Fall times	8ns	@10~90% of V <sub>CC</sub>
Symmetry (duty cycle)	45~55%	@ 50%V <sub>CC</sub>
Phase noise (example 10MHz)	-125dBc/Hz / -145dBc/Hz / -150dBc/Hz	@100Hz / 1kHz / 10kHz
Phase jitter RMS	<1ps	12kHz≤F <sub>j</sub> ≤20MHz
Power consumption (warm up) (steady state)	1.5W	Max
	0.4W	Max

Note: Frequency stability is the frequency deviation over temperature range in reference to +25°C

**PACKAGE OUTLINE / DIMENSIONS**

**PACKAGING INFORMATION**

- Tape & Reel compliant to EIA-481.
- Embossed carrier width 24mm.
- Component pitch in carrier 4mm.
- Reel diameter 330mm.
- QTY per reel: 250pcs

**RECOMMENDED REFLOW PROFILE**
