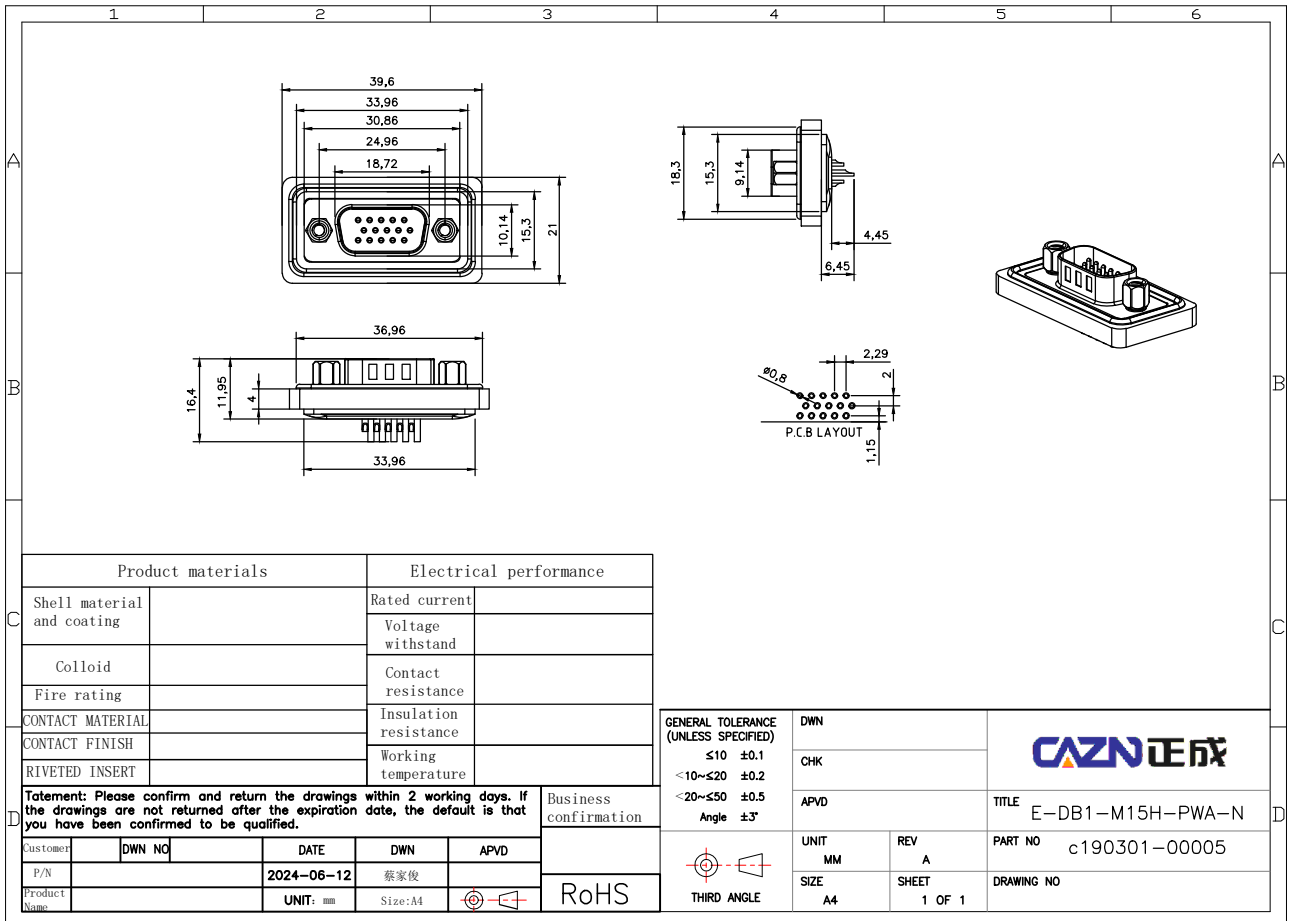


产品材料		电气性能	
外壳材料及镀层		额定电流	
胶体		耐电压	
防火等级		接触电阻	
插针材料		绝缘电阻	
插针镀层		工作温度	
六角螺母			

声明: 请贵司在2个工作日内确认并回传图纸, 过期未回传的, 默认为贵司已确认合格					业务确认
客户	图号	日期	制图	审核	
料号		2024-06-12	蔡家俊		
品名		单位: mm	Size:A4		RoHS

GENERAL TOLERANCE (UNLESS SPECIFIED)	DWN	CAZN 正成	
	CHK		
	APVD		
N/A		TITLE E-DB1-M15H-PWA-N	
THIRD ANGLE	UNIT MM	REV A	PART NO c190301-00005
	SIZE A4	SHEET 1 OF 1	DRAWING NO



Product materials		Electrical performance	
Shell material and coating		Rated current	
Colloid		Voltage withstand	
Fire rating		Contact resistance	
CONTACT MATERIAL		Insulation resistance	
CONTACT FINISH		Working temperature	
RIVETED INSERT			

Statement: Please confirm and return the drawings within 2 working days. If the drawings are not returned after the expiration date, the default is that you have been confirmed to be qualified.					Business confirmation
Customer	DWN NO	DATE	DWN	APVD	
P/N		2024-06-12	蔡家俊		
Product Name		UNIT: mm	Size:A4		RoHS

GENERAL TOLERANCE (UNLESS SPECIFIED)	DWN	CAZN 正成	
	CHK		
	APVD		
		TITLE E-DB1-M15H-PWA-N	
THIRD ANGLE	UNIT MM	REV A	PART NO c190301-00005
	SIZE A4	SHEET 1 OF 1	DRAWING NO