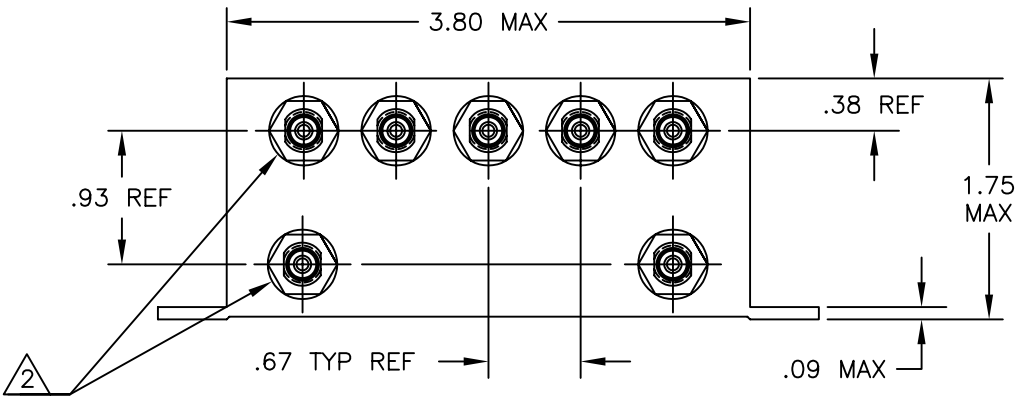
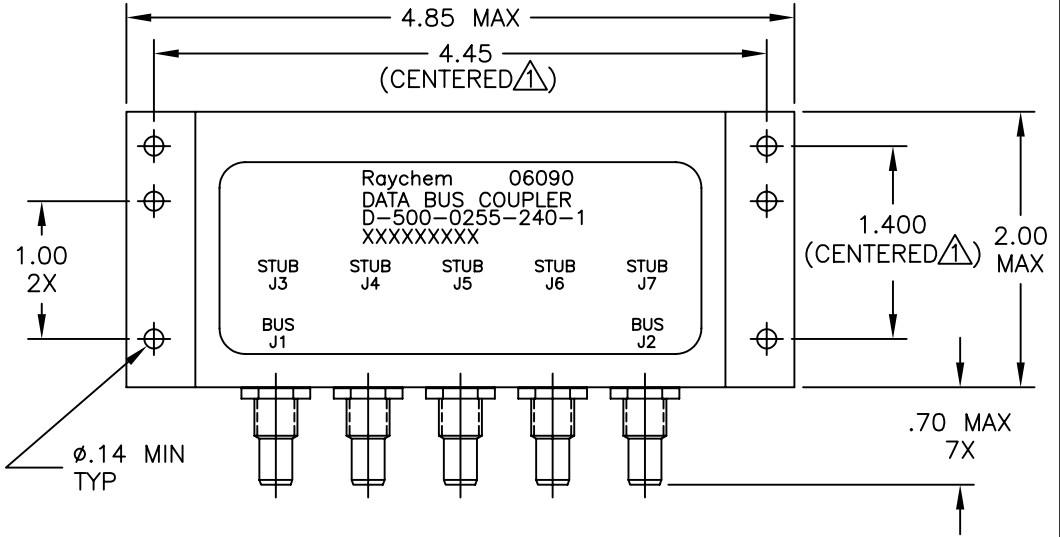


| REVISIONS | | | |
|-----------|---------------------------------|-----------|----------|
| LTR | DESCRIPTION | DATE | APPROVED |
| NC | RELEASED PER DCR NO. T-10885 | 88/Oct/06 | ZET |
| A | REVISED DWG PER DCR NO. T-27757 | 10/30/00 | GMR |
| B | REVISED DWG PER ECO-09-027454 | 12/10/09 | GMR |

NOTES:

- ① HOLE PATTERN MACHINED SYMMETRICAL WITHIN MOUNTING FLANGE.
- ② DOUBLE "D" ANTI-ROTATION MOUNTING ON ALL CONNECTOR JACKS.



© Tyco Electronics Corporation 1988-2009 CUSTOMER DRAWING

| | |
|--------------------|-------------------|
| DRAWN Terry | DATE 88/Oct/06 |
| APPROVED Z.E.T. | DATE 88/Oct/06 |



Tyco Electronics

Raychem Databus
300 Constitution Drive
Menlo Park, CA 94025 U.S.A.

| |
|--------------------------------|
| GAD FILE D-500-0255-240-1_B |
| WEIGHT ---lbs [---g] |

DATABUS COUPLER, 5 STUB
W/CORROSION RESISTANT
TRIAxIAL THREADED CONNECTORS

| | |
|---------------------------|--|
| THIRD ANGLE PROJECTION | |
|---------------------------|--|

| | | |
|---------------------------|--------------------------|------------------------------|
| SIZE A | CODE IDENT. NO. 06090 | DWG. NO. D-500-0255-240-1 |
| DO NOT SCALE THIS DRAWING | | SHEET 1 OF 2 |

UNLESS OTHERWISE SPECIFIED
DIMENSIONS ARE INCHES. METRIC
DIMENSIONS ARE IN BRACKETS.
DECIMAL TOLERANCES
.XXX ± --- [---mm]
.XX ± .01 [.25mm]
.X ± --- [---mm]
ANGLE TOLERANCE
.X ± --

NOTES:

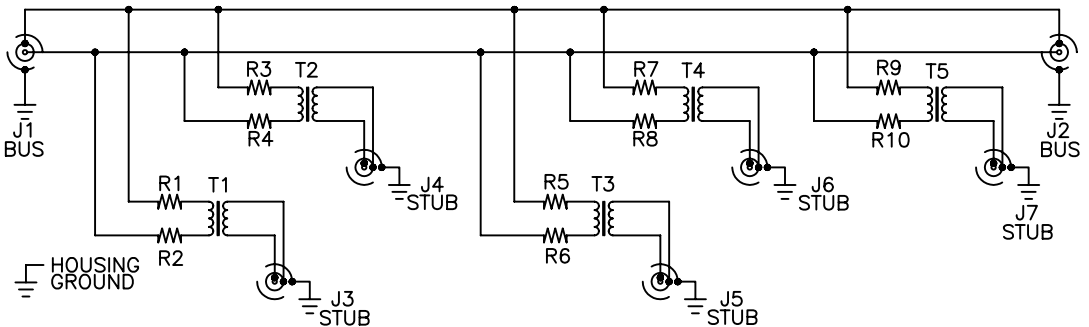
1.0 INTERMATEABILITY

- 1.1 POSITIONS J1 AND J2, D-621-0412 (WITH D-602-0126 CONTACT INSTALLED), WILL MATE WITH TRIAXIAL PLUG, D-621-0411 (WITH D-602-0127 CONTACT INSTALLED).
- 1.2 POSITIONS J3 THRU J7, D-621-0412 (WITH D-602-0127 CONTACT INSTALLED), WILL MATE WITH TRIAXIAL PLUG, D-621-0411 (WITH D-602-0126 CONTACT INSTALLED).


2.0 PERFORMANCE

- 2.1 FUNCTIONAL REQUIREMENTS: THIS COUPLER MEETS THE APPLICABLE FUNCTIONAL REQUIREMENTS OF RAYCHEM SPECIFICATION D-6020.
 - 2.2 SERVICE CONDITIONS: THE COUPLER SHALL OPERATE UNDER ANY OF THE ENVIRONMENTAL SERVICE CONDITONS AS SPECIFIED IN MIL-E-5400, CLASS V, UPGRADED TO 125°C CONTINUOUS OPERATION.
 - 2.3 ALTITUDE: SEA LEVEL TO 50,000 FEET.
 - 2.4 SALT SPRAY CORROSION RESISTANCE: 500 HOURS.
- 3.0 INSTALLATION
- 3.1 MOUNTING HOLES AT EITHER 1.00 OR 1.40 SPACING TO BE USED TO MOUNT BOX.

SCHEMATIC DIAGRAM



CUSTOMER DRAWING

| | | | | | | | |
|-----------------------------|-----------------|---------------------------|---|---------------------------|--|--------------|--|
| DRAWN Terry | | DATE 88/Oct/06 |  Tyco Electronics | | Raychem Databus 300 Constitution Drive Menlo Park, CA 94025 U.S.A. | | |
| SIZE A | CAGE CODE 06090 | DWG. NO. D-500-0255-240-1 | | REV B | | | |
| CAD FILE D-500-0255-240-1_B | | | | DO NOT SCALE THIS DRAWING | | SHEET 2 OF 2 | |