

58079-3 ✓ ACTIVE

AMP

TE Internal #: 58079-3

Premium Crimp Tooling, Operator Releasable & Adjustable, Removable/Interchangeable, TE Product Specification (108-) / UL /CSA, Hand Crimping Tools

[View on TE.com >](#)



Application Tooling > Hand Crimping Tools



Tool Grade: **Premium Crimp Tooling**

Ratchet Configuration: **Operator Releasable & Adjustable**

Die Sets Type: **Removable/Interchangeable**

Specification Type: **TE Product Specification (108-), UL/CSA**

TE Certification: **Yes – Certificate Included**

### Features

#### Other

Crimp Form-Wire Barrel Type	Closed Barrel - Other
Tool Grade	Premium Crimp Tooling
Ratchet Configuration	Operator Releasable & Adjustable
Die Sets Type	Removable/Interchangeable
Specification Type	TE Product Specification (108-), UL/CSA
TE Certification	Yes – Certificate Included
Power Technology Type	Manual, Pneumatic
Tooling Type	Tetra Crimp / Platform Hand Tool

### Product Compliance

[For compliance documentation, visit the product page on TE.com>](#)

EU RoHS Directive 2011/65/EU	Compliant
EU ELV Directive 2000/53/EC	Compliant
China RoHS 2 Directive MIIT Order No 32, 2016	No Restricted Materials Above Threshold
EU REACH Regulation (EC) No. 1907/2006	Current ECHA Candidate List: JUNE 2024 (241) Candidate List Declared Against: JUNE 2024 (241) Does not contain REACH SVHC
Halogen Content	Low Halogen - Br, Cl, F, I < 900 ppm per

homogenous material. Also BFR/CFR/PVC Free

Solder Process Capability

Not reviewed for solder process capability

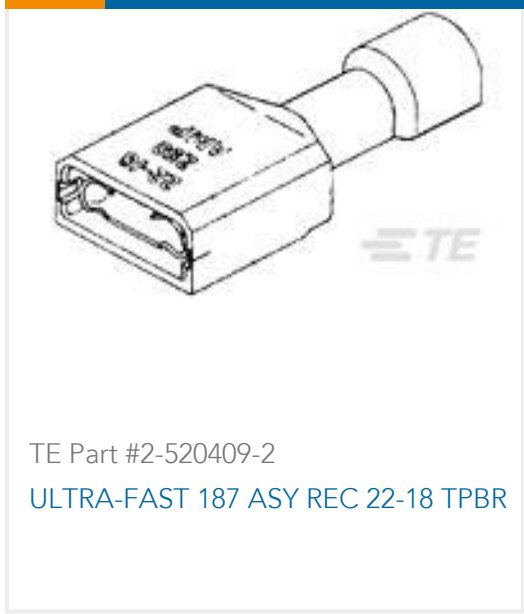
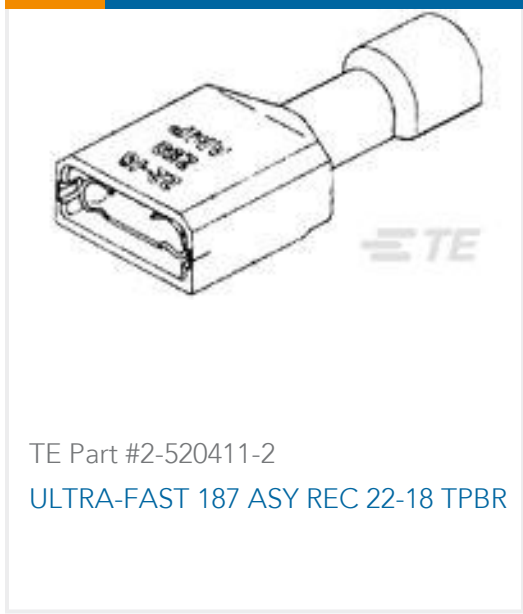
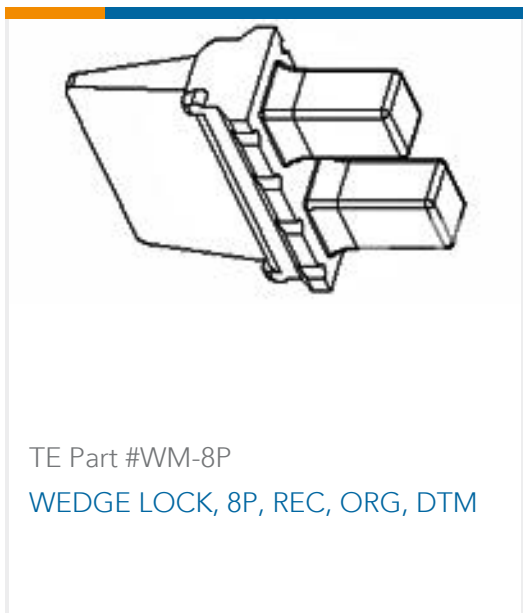
Product Compliance Disclaimer

This information is provided based on reasonable inquiry of our suppliers and represents our current actual knowledge based on the information they provided. This information is subject to change. The part numbers that TE has identified as EU RoHS compliant have a maximum concentration of 0.1% by weight in homogenous materials for lead, hexavalent chromium, mercury, PBB, PBDE, DBP, BBP, DEHP, DIBP, and 0.01% for cadmium, or qualify for an exemption to these limits as defined in the Annexes of Directive 2011/65/EU (RoHS2). Finished electrical and electronic equipment products will be CE marked as required by Directive 2011/65/EU. Components may not be CE marked. Additionally, the part numbers that TE has identified as EU ELV compliant have a maximum concentration of 0.1% by weight in homogenous materials for lead, hexavalent chromium, and mercury, and 0.01% for cadmium, or qualify for an exemption to these limits as defined in the Annexes of Directive 2000/53/EC (ELV). Regarding the REACH Regulation, the information TE provides on SVHC in articles for this part number is based on the latest European Chemicals Agency (ECHA) 'Guidance on requirements for substances in articles' posted at this URL: <https://echa.europa.eu/guidance-documents/guidance-on-reach>

### Compatible Parts

 <p>TE Part # 58078-3 TETRA CRIMP FRAME W/O DIES</p>	 <p>TE Part # 2-520407-2 ULTRA-FAST 250 ASY REC 22-18 TPBR</p>	 <p>TE Part # 2-520411-2 ULTRA-FAST 187 ASY REC 22-18 TPBR</p>	 <p>TE Part # 3-520412-2 ULTRA-FAST 187 ASY REC 16-14 AWG TPBR</p>
 <p>TE Part # 2-520409-2 ULTRA-FAST 187 ASY REC 22-18 TPBR</p>	 <p>TE Part # 3-520404-2 ULTRA-FAST 187 ASY REC 16-14 AWG TPBR</p>	 <p>TE Part # 2-520932-2 ULTRA-FAST .110/.125 ASY REC 22-18 TPBR</p>	 <p>TE Part # 2-520401-2 ULTRA-FAST 187 ASY REC 22-18 TPBR</p>
 <p>TE Part # 2-520403-2 ULTRA-FAST 187 ASY REC 22-18 TPBR</p>	 <p>TE Part # 2-521055-2 ULTRAFast 250 ASSY TAB 22-18 AWG TPBR</p>	 <p>TE Part # 2-520405-2 ULTRA-FAST 250 ASY REC 22-18 TPBR</p>	 <p>TE Part # 2-520979-2 ULTRA-FAST .110/.125 ASY REC 22-18 TPBR</p>

### Customers Also Bought



**Documents**

**Datasheets & Catalog Pages**

**Bottoming Dies**

English

**Instruction Sheets**

**Instruction Sheet (U.S.)**

English