

827249-2 ✓ ACTIVE

AMP | Timer Connector System

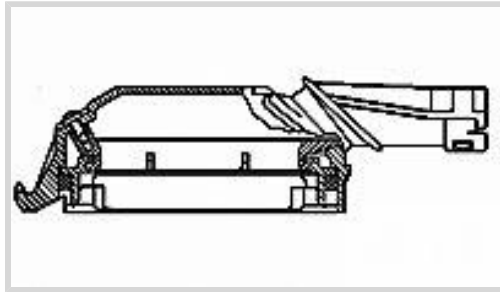
TE Internal #: 827249-2

Housing for Female Terminals, Wire-to-Board, 25 Position, 5 mm [.197 in] Centerline, Sealable, Black, Wire & Cable, Power, Timer Connector System

[View on TE.com >](#)



Connectors > Automotive Connectors > Automotive Housings > Timer Connector Housing



Connector System: **Wire-to-Board**

Number of Positions: **25**

Connector & Housing Type: **Housing for Female Terminals**

Centerline (Pitch): **5 mm [.197 in]**

Sealable: **Yes**

[All Timer Connector Housing \(510\)](#)

## Features

### Product Type Features

Mixed & Hybrid Connector	No
Connector Shape	Rectangular
Connector System	Wire-to-Board
Connector & Housing Type	Housing for Female Terminals
Sealable	Yes
Connector & Contact Terminates To	Wire & Cable
Primary Locking Feature	On the Terminal

### Configuration Features

Number of Positions	25
Number of Rows	2

### Electrical Characteristics

Nominal Voltage Architecture	12 V, 24 V
------------------------------	------------

### Body Features

Cable Exit Angle	90°
Primary Product Color	Black
Connector & Keying Code	Neutral



### Contact Features

Contact Size	2.8mm
Contact Type	Receptacle
Mating Tab Width	2.8 mm[.11 in]
Contact Current Rating (Max)	30 A

### Mechanical Attachment

Terminal Position Assurance	Yes
Strain Relief	With
Mating Alignment Type	Polarized
Mating Alignment	With
Connector Mounting Type	Cable Mount (Free-Hanging)

### Housing Features

Housing Material	PA GF
Centerline (Pitch)	5 mm[.197 in]

### Dimensions

Connector Height	13 mm[.512 in]
Product Length	88.9 mm[3.5 in]

### Usage Conditions

Operating Temperature (Max)	130 °C[266 °F]
Operating Temperature Range	-40 – 130 °C[-40 – 266 °F]

### Operation/Application

Circuit Application	Power
---------------------	-------

### Packaging Features

Packaging Method	Carton
------------------	--------

### Other

Serviceable	No
Connector Position Assurance Capable	No

### Product Compliance

For compliance documentation, visit the product page on [TE.com](https://www.te.com)>

EU RoHS Directive 2011/65/EU	Compliant
EU ELV Directive 2000/53/EC	Compliant



China RoHS 2 Directive MIIT Order No 32, 2016	No Restricted Materials Above Threshold
EU REACH Regulation (EC) No. 1907/2006	Current ECHA Candidate List: JUNE 2024 (241) Candidate List Declared Against: JUN 2020 (209) Does not contain REACH SVHC
Halogen Content	BFR/CFR/PVC Free, but Br/Cl >900 ppm in other sources.
Solder Process Capability	Not applicable for solder process capability

Product Compliance Disclaimer

This information is provided based on reasonable inquiry of our suppliers and represents our current actual knowledge based on the information they provided. This information is subject to change. The part numbers that TE has identified as EU RoHS compliant have a maximum concentration of 0.1% by weight in homogenous materials for lead, hexavalent chromium, mercury, PBB, PBDE, DBP, BBP, DEHP, DIBP, and 0.01% for cadmium, or qualify for an exemption to these limits as defined in the Annexes of Directive 2011/65/EU (RoHS2). Finished electrical and electronic equipment products will be CE marked as required by Directive 2011/65/EU. Components may not be CE marked. Additionally, the part numbers that TE has identified as EU ELV compliant have a maximum concentration of 0.1% by weight in homogenous materials for lead, hexavalent chromium, and mercury, and 0.01% for cadmium, or qualify for an exemption to these limits as defined in the Annexes of Directive 2000/53/EC (ELV). Regarding the REACH Regulation, the information TE provides on SVHC in articles for this part number is based on the latest European Chemicals Agency (ECHA) 'Guidance on requirements for substances in articles' posted at this URL: <https://echa.europa.eu/guidance-documents/guidance-on-reach>

### Compatible Parts



TE Part # 827248-1  
25P MIN FEDERK GEH



TE Part # CAT-LMPH9507  
Low & Medium Power Header


### Also in the Series | Timer Connector System



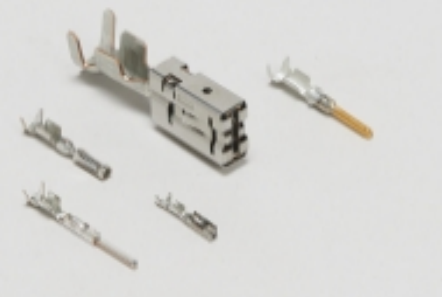
Automotive Connector Caps & Covers (14)



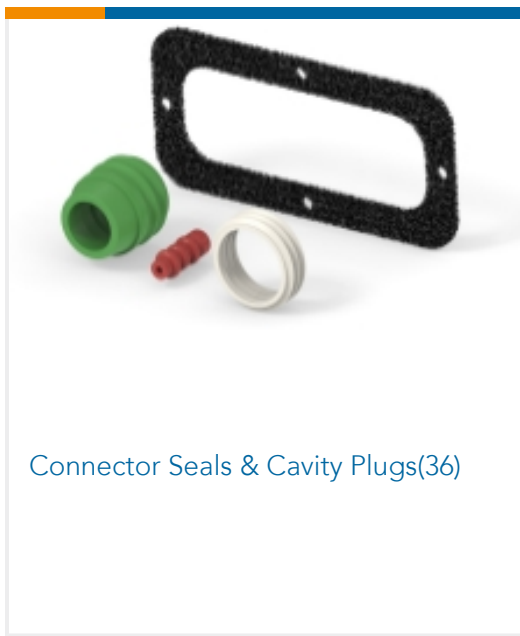
Automotive Connector Locks & Position Assurance(15)



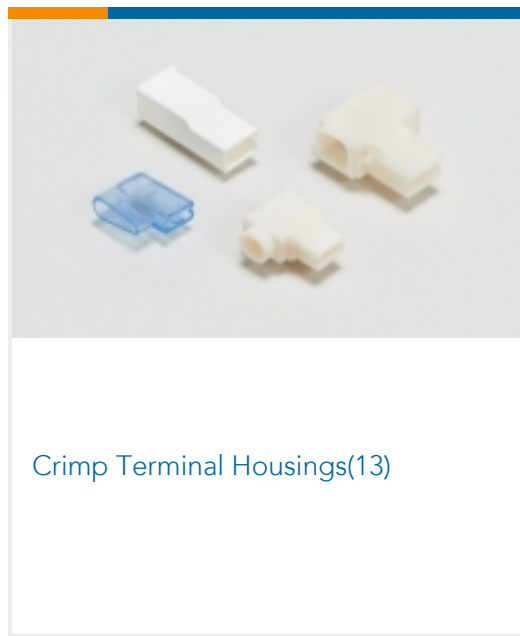
Automotive Housings(214)



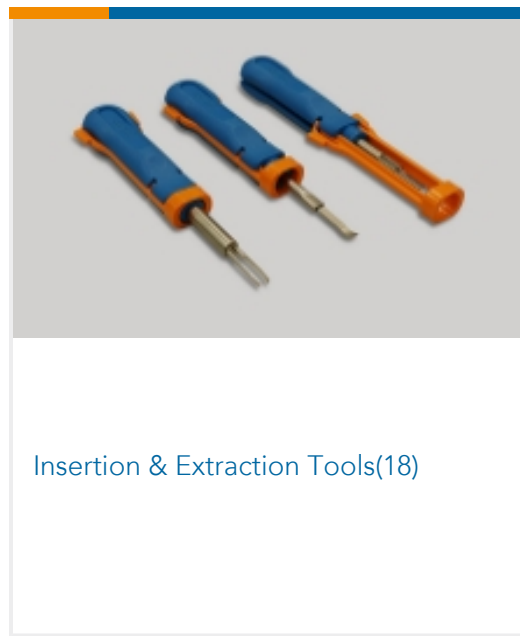
Automotive Terminals(134)



Connector Seals & Cavity Plugs(36)



Crimp Terminal Housings(13)



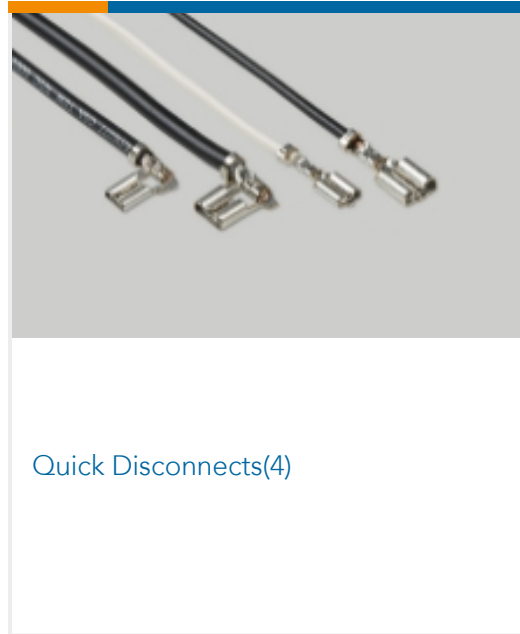
Insertion & Extraction Tools(18)



Other Automotive Connector Accessories(1)



PCB Headers & Receptacles(40)



Quick Disconnects(4)

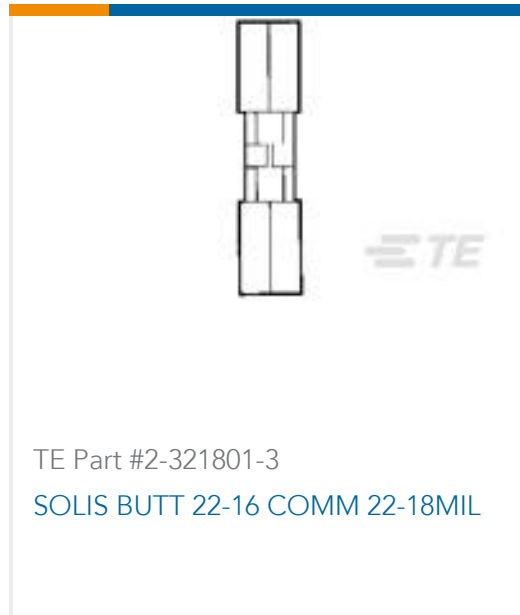
## Customers Also Bought



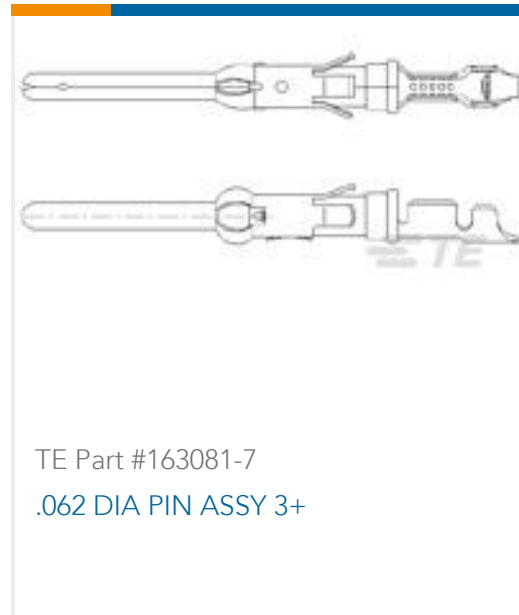
TE Part #1355390-1  
JUN-POW-TIM GEH 2P



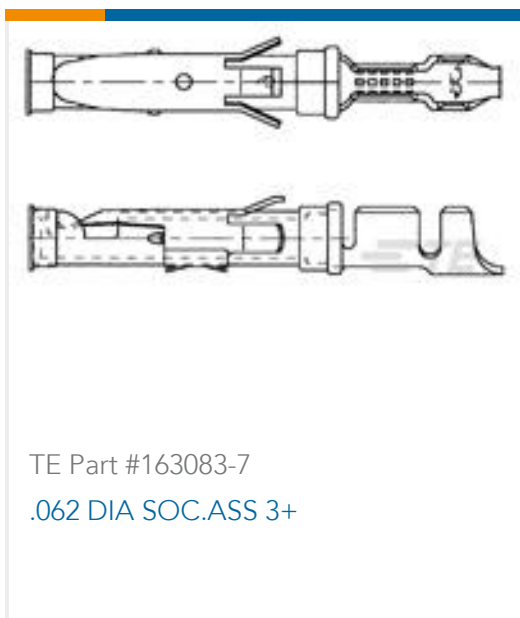
TE Part #182923-1  
CPC PLUG ASSY SIZE 23-37



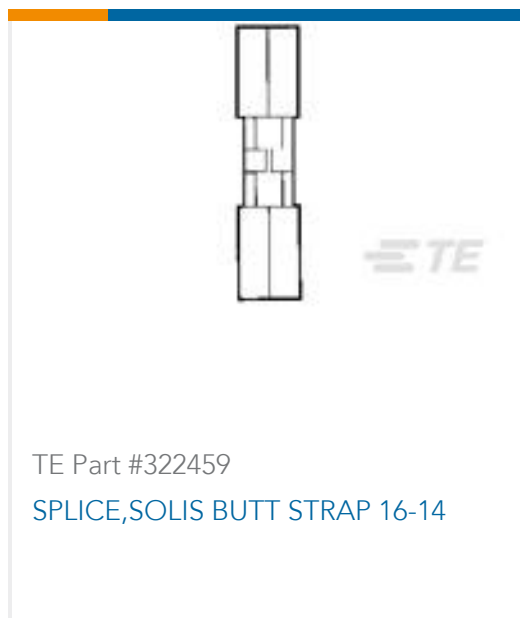
TE Part #2-321801-3  
SOLIS BUTT 22-16 COMM 22-18MIL



TE Part #163081-7  
.062 DIA PIN ASSY 3+



TE Part #163083-7  
.062 DIA SOC.ASS 3+



TE Part #322459  
SPLICE,SOLIS BUTT STRAP 16-14



TE Part #1-1418437-1  
6POS,AMP MCP2.8,REC HSG,ASSY,  
SEALED



TE Part #155880-000  
CWT-11



TE Part #160773-4  
PL LP RECEPTACLE 0.5-1.5 MM2  
TPPHBZ



TE Part #480435-1  
187 FASTON HSG. REC 1P NATURAL

## Documents



### Product Drawings

#### 25P MIN FEDERK GEH

English

---

### CAD Files

#### Customer View Model

[ENG\\_CVM\\_827249-2\\_G2.3d\\_igs.zip](#)

English

#### Customer View Model

[ENG\\_CVM\\_827249-2\\_G2.3d\\_stp.zip](#)

English

#### Customer View Model

[ENG\\_CVM\\_827249-2\\_G2.2d\\_dxf.zip](#)

English

### 3D PDF

English

By downloading the CAD file I accept and agree to the [Terms and Conditions](#) of use.