

# SACC-M12FSK-4PECT-CL SH - Power connector



1027476

<https://www.phoenixcontact.com/us/products/1027476>

Please be informed that the data shown in this PDF document is generated from our online catalog. Please find the complete data in the user documentation. Our general terms of use for downloads are valid.



Power connector, Power, 5-position, shielded, Socket straight M12, coding: K, Crimp connection, knurl material: Zinc die-cast, tin-plated, external cable diameter 8 mm ... 13 mm, without crimp contacts, Contact 5 leading

## Your advantages

- Extremely compact, thanks to the small wiring space and high contact density
- Safely shielded: reliable shield connection even under extreme mechanical strain
- Robust connection: suitable for railway applications with high shock and vibration loads
- High-performance: AC connectors for up to 16 A and 690 V AC
- Protected seal in the M12 socket
- Protection against mismatching, thanks to special K-coding

## Commercial data

Item number	1027476
Packing unit	1 pc
Minimum order quantity	1 pc
Sales key	BF34
Product key	BF2CJB
Catalog page	Page 279 (C-2-2019)
GTIN	4055626521121
Weight per piece (including packing)	47.2 g
Weight per piece (excluding packing)	46.3 g
Customs tariff number	85366990
Country of origin	DE

# SACC-M12FSK-4PECT-CL SH - Power connector



1027476

<https://www.phoenixcontact.com/us/products/1027476>

## Technical data

### Notes

Assembly note	<b>NOTE:</b> Observe the permissible bending radii when routing cables, since the degree of protection may be at risk if the bending forces are too high. Reduce mechanical loads upstream of the connector, e.g., by using cable ties.
---------------	---

### Product properties

Product type	Circular connector (cable-side)
Application	Power supply
Sensor type	Power
Number of positions	5
No. of cable outlets	1
Shielded	yes
Coding	K
Cable outlet	straight

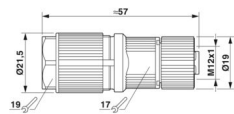
### Data management status

Article revision	02
------------------	----

### Insulation characteristics

Overvoltage category	III
Degree of pollution	3

### Dimensions

Dimensional drawing	
Length	57 mm

### External dimensions

Outside diameter	8 mm ... 13 mm
------------------	----------------

### Housing

Diameter housing	21.5 mm
------------------	---------

### Material specifications

Flammability rating according to UL 94	V0
Material of grip body	Zinc die-cast, nickel-plated
Contact carrier material	PA
Material for screw connection	Zinc die-cast, tin-plated

### Connection data

# SACC-M12FSK-4PECT-CL SH - Power connector



1027476

<https://www.phoenixcontact.com/us/products/1027476>

## Conductor connection

Connection method	Crimp connection
Connection cross section	1.5 mm <sup>2</sup> ... 2.5 mm <sup>2</sup> (flexible)
Connection cross section AWG	14 (flexible)
Tightening torque	0.6 Nm (M12 knurl) 5 Nm (Pressure nut with coupling sleeve)

## Pin assignment

Contact   Color (signal designation)   Contact (optional)	1 = BK
	2 = BK
	3 = BK
	4 = BK
	PE = GNYE

## Electrical properties

Rated surge voltage	6 kV
Insulation resistance	≥ 100 MΩ
Nominal voltage U <sub>N</sub>	690 V AC
Nominal current I <sub>N</sub>	16 A (when using 2.5 mm <sup>2</sup> conductors) 16 A (at 40 °C)

## Mechanical properties

### Mechanical data

Insertion/withdrawal cycles	≥ 100
-----------------------------	-------

## Connector

### Connection 1

Head design	Socket
Head cable outlet	straight
Head thread type	M12
Coding	K

## Cable/line

Signal type/category	Power
----------------------	-------

## Environmental and real-life conditions

### Ambient conditions

Degree of protection	IP65
Ambient temperature (operation)	-40 °C ... 85 °C (Plug / socket)

## Standards and regulations

Standard designation	M12 connector
Standards/specifications	based on IEC 61076-2-111

# SACC-M12FSK-4PECT-CL SH - Power connector

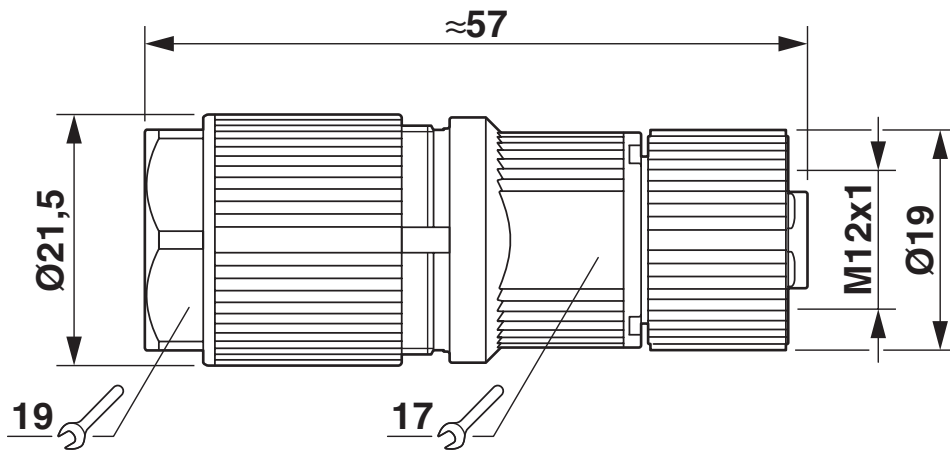


1027476

<https://www.phoenixcontact.com/us/products/1027476>

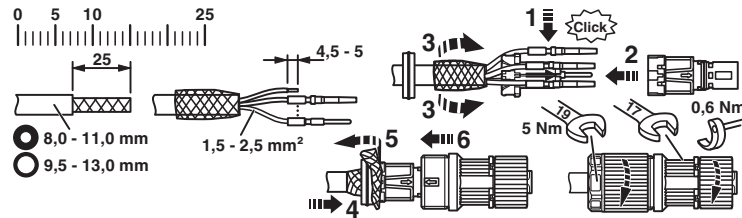
## Drawings

Dimensional drawing



M12 x 1 socket, straight, shielded

Functional drawing



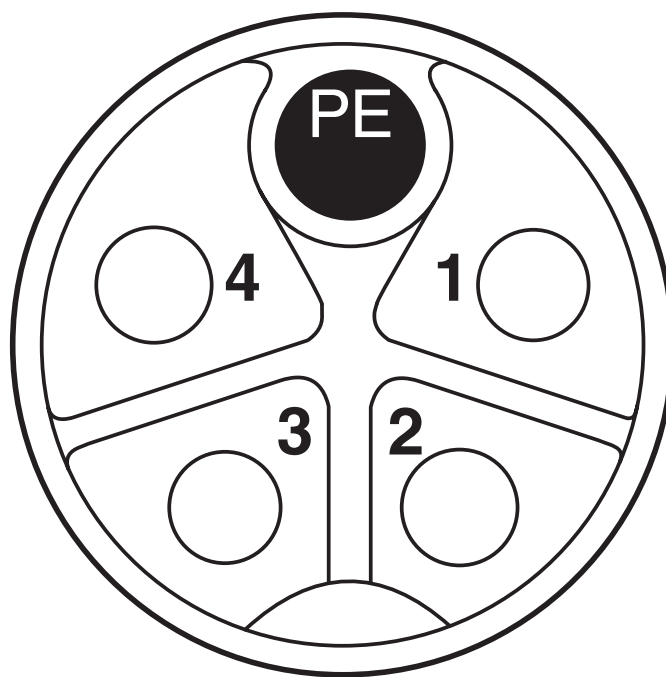
# SACC-M12FSK-4PECT-CL SH - Power connector

1027476

<https://www.phoenixcontact.com/us/products/1027476>



Schematic diagram



Pin assignment of M12 socket, 4-pos.+PE, K-coded, socket side view

# SACC-M12FSK-4PECT-CL SH - Power connector



1027476

<https://www.phoenixcontact.com/us/products/1027476>

## Approvals

To download certificates, visit the product detail page: <https://www.phoenixcontact.com/us/products/1027476>



**EAC**

Approval ID: RU C-DE.BL08.B.00511



**cULus Recognized**

Approval ID: E468743

	Nominal voltage $U_N$	Nominal current $I_N$	Cross section AWG	Cross section $\text{mm}^2$
	600 V	13 A	- 14	-

# SACC-M12FSK-4PECT-CL SH - Power connector



1027476

<https://www.phoenixcontact.com/us/products/1027476>

## Classifications

### ECLASS

ECLASS-11.0	27440102
ECLASS-12.0	27440116
ECLASS-13.0	27440116

### ETIM

ETIM 9.0	EC002635
----------	----------

### UNSPSC

UNSPSC 21.0	39121400
-------------	----------

# SACC-M12FSK-4PECT-CL SH - Power connector



1027476

<https://www.phoenixcontact.com/us/products/1027476>

## Environmental product compliance

### EU RoHS

Fulfills EU RoHS substance requirements	Yes, No exemptions
---	--------------------

### China RoHS

Environment friendly use period (EFUP)	EFUP-E
	No hazardous substances above the limits

### EU REACH SVHC

REACH candidate substance (CAS No.)	No substance above 0.1 wt%
-------------------------------------	----------------------------

Phoenix Contact 2024 © - all rights reserved

<https://www.phoenixcontact.com>

Phoenix Contact USA  
586 Fulling Mill Road  
Middletown, PA 17057, United States  
(+717) 944-1300  
[info@phoenixcon.com](mailto:info@phoenixcon.com)