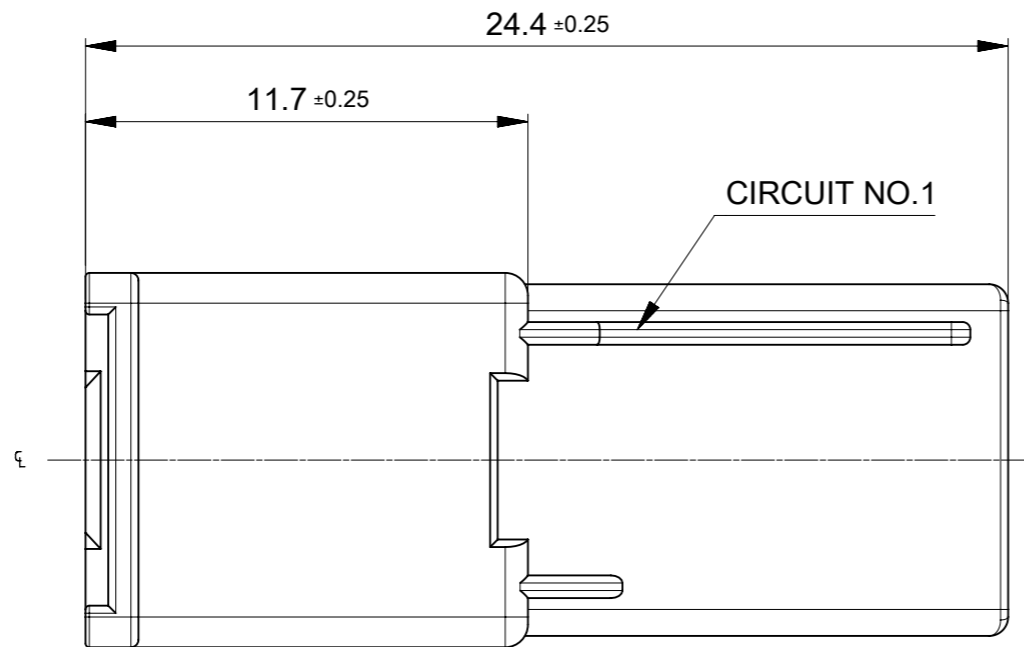
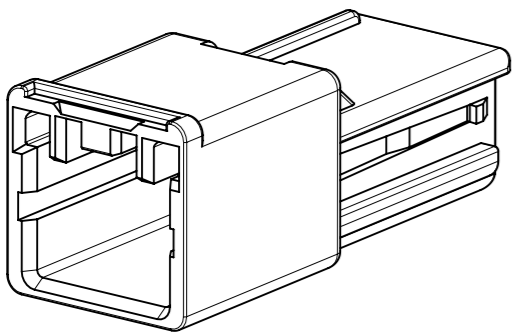


FIGURE OF 5046940200



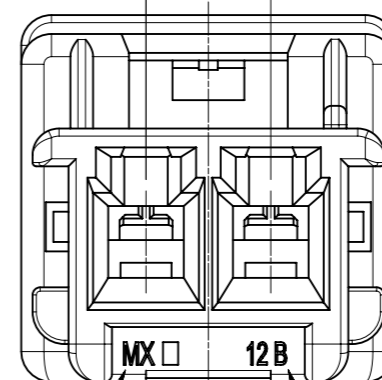
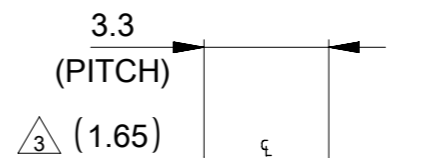
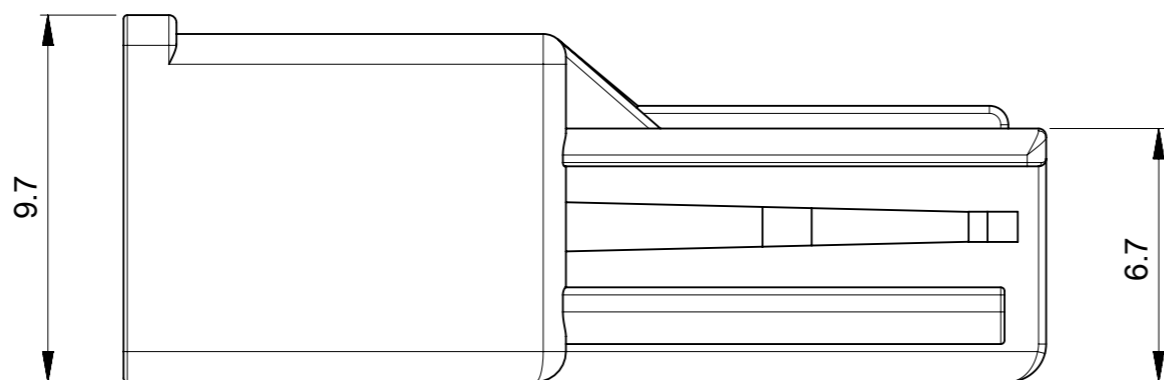
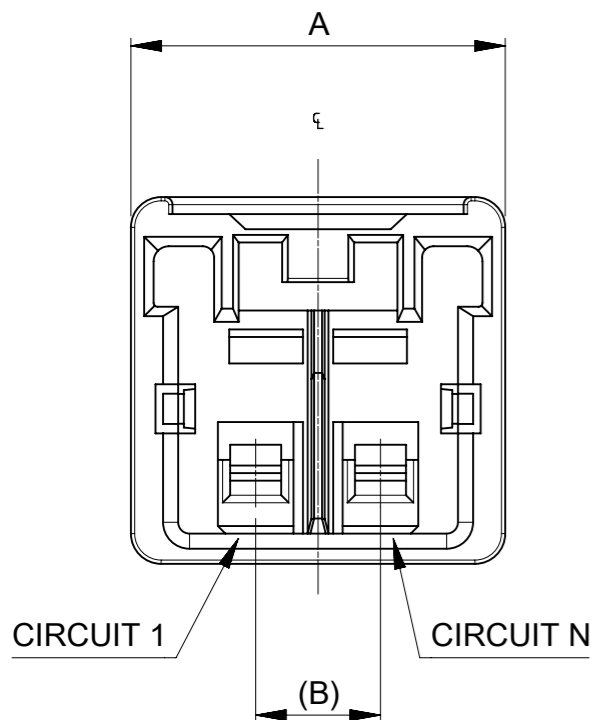
NOTES

- △1 材料：TABLE 1 参照  
MATERIAL：SEE TABLE 1
- △2 製品仕様書、アプリケーション仕様書、適応嵌合相手、適応リテーナー、適応ターミナルはSHEET 2を御参照下さい  
PLEASE REFER TO SHEET 2 FOR PRODUCT SPECIFICATION, APPLICATION SPECIFICATION, APPLY MATE PARTNER, APPLY RETAINER, APPLY TERMINAL.
- △3 偶数極に適用。  
APPLY FOR EVEN CIRCUIT.
- 4. 本製品のプラスチック部に黒点・白点等が確認される場合や色合いが異なる場合がありますが、製品性能に影響はありません。  
THERE IS NO INFLUENCE IN THE PRODUCT PERFORMANCE THOUGH THE BLACK AND WHITE SPOT ETC. MIGHT BE CONFIRMED TO THE PLASTIC PART OF THIS PRODUCT AND THE SHADE MIGHT BE DIFFERENT.
- △5 発注番号：SHEET 3 参照  
ORDER No.：PLEASE REFER TO SHEET 3 FOR PRODUCT LIST.

504694 \*\*\*\*

極数  
CIRCUIT SIZE

ハウジングカラー HOUSING COLOR	
00:自然色	NATURAL
01:黒	BLACK
02:赤	RED
03:黄	YELLOW
04:青	BLUE
05:桃	PINK
06:緑	GREEN
08:橙	ORANGE
09:紫	VIOLET



16.5	23.1±0.25	6
9.9	16.5±0.25	4
6.6	13.2±0.25	3
3.3	9.9	2
(B)	A	極数 CIRCUIT SIZE

△1 TABLE 1

部品 PART	材料 MATERIAL
ハウジング HOUSING	POLYESTER (PBT), UL-94 V-0,色：SEE CHART POLYESTER (PBT), UL-94 V-0,COLOR：SEE CHART

DOCUMENT STATUS P1 RELEASE DATE 2024/05/27 14:24:30

THIS DRAWING CONTAINS INFORMATION THAT IS PROPRIETARY TO MOLEX ELECTRONIC TECHNOLOGIES, LLC AND SHOULD NOT BE USED WITHOUT WRITTEN PERMISSION

DIMENSION UNITS mm	SCALE 5:1	CURRENT REV DESC.		<b>molex</b>		
GENERAL TOLERANCES (UNLESS SPECIFIED)		EC NO: 787318				
ANGULAR TOL ± 3.0°	4 PLACES ± 0.2	DRWN: KYAMADA02	2023/11/22	PRODUCT CUSTOMER DRAWING		
3 PLACES ± 0.2	2 PLACES ± 0.2	CHK'D: SAKIYAMA	2024/05/27	DOCUMENT NUMBER		
1 PLACE ± 0.2	0 PLACES ± 0.2	APPR: AIDA	2024/05/27	5046940000-SD		
DRAFT WHERE APPLICABLE MUST REMAIN WITHIN DIMENSIONS		INITIAL REVISION:		DOC TYPE	DOC PART	REVISION
THIRD ANGLE PROJECTION		DRWN: KYAMADA02	2018/11/02	PSD	000	B
DRAWING		APPR: TKANEKO	2018/11/21	CUSTOMER		SHEET NUMBER
A3-SIZE		SERIES	504694	GENERAL		1 OF 3

△ 適合製品及び各種仕様書  
 APPLICABLE PRODUCTS AND VARIOUS SPECIFICATIONS

梱包仕様書 PACKING SPECIFICATION	PART NUMBER	SPECIFICATION NUMBER
	504694****	SPK-504694-001

適合端子 APPLY TERMINAL	PART NUMBER	PLATING TYPE	WIRE SIZE(AWG)
	5056080*00	TIN	#18 - #22
	503988*00		#22 - #28

適合嵌合相手 APPLY MATE	TIN PLATING
シリーズ番号 SERIES No.	REC HSG
適合リテーナー APPLY RETAINER	504693
シリーズ番号 SERIES No.	RETAINER
製品仕様書 PRODUCT SPECIFICATION	504695
アプリケーション仕様書 APPLICATION SPECIFICATION	PS-504693-001
	AS-504693-001(JAPANESE)/-002(ENGLISH)

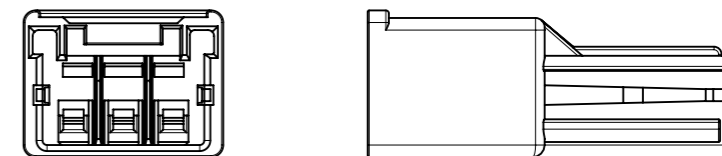


FIGURE OF 3 CIRCUIT

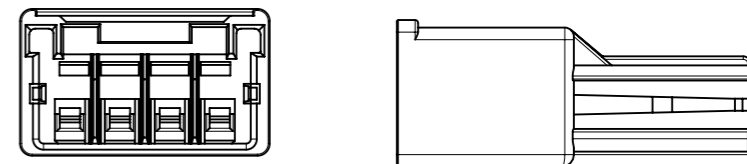


FIGURE OF 4 CIRCUIT

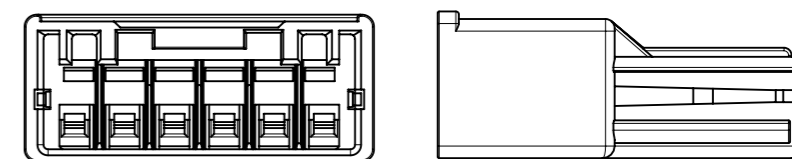
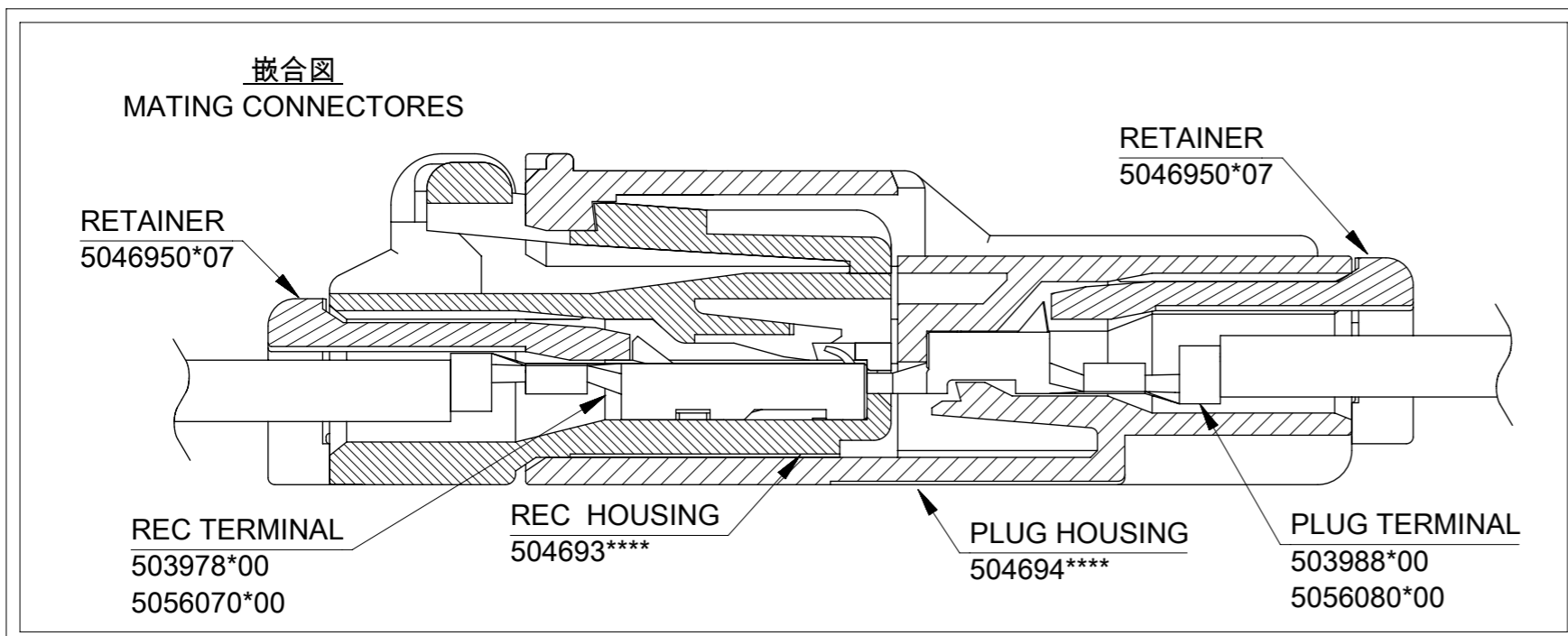


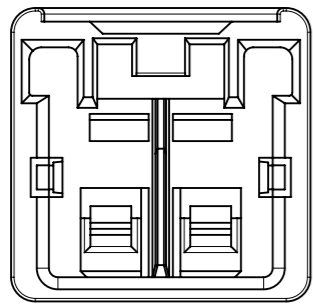
FIGURE OF 6 CIRCUIT



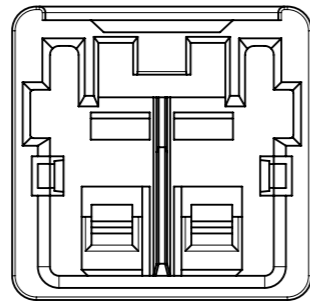
THIS DRAWING CONTAINS INFORMATION THAT IS PROPRIETARY TO MOLEX ELECTRONIC TECHNOLOGIES, LLC AND SHOULD NOT BE USED WITHOUT WRITTEN PERMISSION									
DIMENSION UNITS		SCALE		CURRENT REV DESC:				<b>molex</b>	
mm		1:1							
GENERAL TOLERANCES (UNLESS SPECIFIED)				EC NO: 787318				CP-3.3 W/W SINGLE ROW PLUG HOUSING	
ANGULAR TOL ± 3.0°				DRWN: KYAMADA02 2023/11/22				PRODUCT CUSTOMER DRAWING	
4 PLACES ± 0.2				CHK'D: SAKIYAMA 2024/05/27				DOCUMENT NUMBER	
3 PLACES ± 0.2				APPR: AIDA 2024/05/27				5046940000-SD	
2 PLACES ± 0.2				INITIAL REVISION:				DOC TYPE	
1 PLACE ± 0.2				DRWN: KYAMADA02 2018/11/02				PSD	
0 PLACES ± 0.2				APPR: TKANEKO 2018/11/21				DOC PART	
DRAFT WHERE APPLICABLE MUST REMAIN WITHIN DIMENSIONS				THIRD ANGLE PROJECTION		DRAWING		REVISION	
				A3-SIZE		SERIES		SHEET NUMBER	
				504694		MATERIAL NUMBER		2 OF 3	
				SEE CHART		CUSTOMER			
				GENERAL					

△ 製品一覧  
PRODUCT LIST

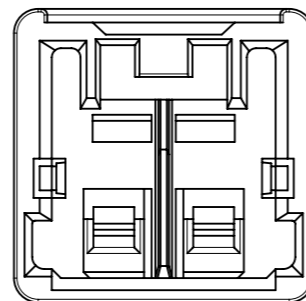
HOUSING COLOR									
VIOLET	ORANGE	GREEN	PINK	BLUE	YELLOW	RED	BLACK	NATURAL	
-	-	-	-	5046940604	5046940603	5046940602	5046940601	5046940600	6
-	-	-	-	5046940404	5046940403	5046940402	5046940401	5046940400	4
-	-	-	-	5046940304	5046940303	5046940302	5046940301	5046940300	3
5046940209	5046940208	5046940206	5046940205	5046940204	5046940203	5046940202	5046940201	5046940200	2
オーダー番号 ORDER No. 梱包形態 : ポリ袋 PACKAGING : POLYBAG									極数 CIRCUIT No.



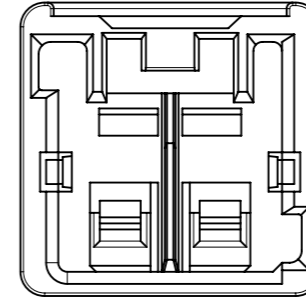
KEY TYPE :1  
COLOR :NATURAL  
MATERIAL NO. :5046940200



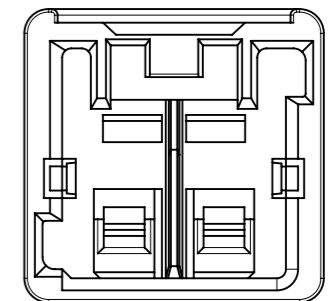
KEY TYPE :2  
COLOR :BLACK  
MATERIAL NO. :5046940201



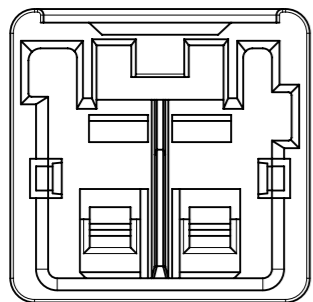
KEY TYPE :3  
COLOR :RED  
MATERIAL NO. :5046940202



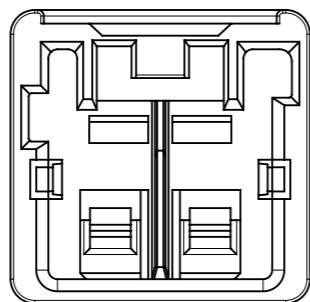
KEY TYPE :4  
COLOR :YELLOW  
MATERIAL NO. :5046940203



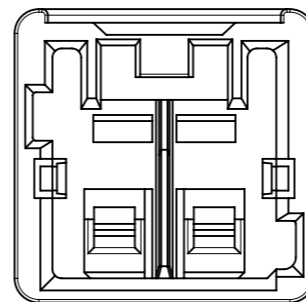
KEY TYPE :5  
COLOR :BLUE  
MATERIAL NO. :5046940204



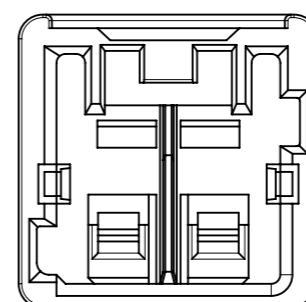
KEY TYPE :6  
COLOR :PINK  
MATERIAL NO. :5046940205



KEY TYPE :7  
COLOR :GREEN  
MATERIAL NO. :5046940206



KEY TYPE :8  
COLOR :ORANGE  
MATERIAL NO. :5046940208



KEY TYPE :9  
COLOR :VIOLET  
MATERIAL NO. :5046940209

MATING  
KEY TYPE & COLORS

FIGURE OF 2 CIRCUIT

THIS DRAWING CONTAINS INFORMATION THAT IS PROPRIETARY TO MOLEX ELECTRONIC TECHNOLOGIES, LLC AND SHOULD NOT BE USED WITHOUT WRITTEN PERMISSION									
DIMENSION UNITS	SCALE	CURRENT REV DESC:							
mm	2:1								
GENERAL TOLERANCES (UNLESS SPECIFIED)					CP-3.3 W/W SINGLE ROW PLUG HOUSING				
ANGULAR TOL	± 3.0 °	EC NO: 787318			PRODUCT CUSTOMER DRAWING				
4 PLACES	± 0.2	DRWN: KYAMADA02 2023/11/22			DOCUMENT NUMBER				
3 PLACES	± 0.2	CHK'D: SAKIYAMA 2024/05/27			5046940000-SD				
2 PLACES	± 0.2	APPR: AIDA 2024/05/27			DOC TYPE				
1 PLACE	± 0.2	INITIAL REVISION:			DOC PART				
0 PLACES	± 0.2	DRWN: KYAMADA02 2018/11/02			REVISION				
DRAFT WHERE APPLICABLE MUST REMAIN WITHIN DIMENSIONS					3 OF 3				
THIRD ANGLE PROJECTION		DRAWING	SERIES	MATERIAL NUMBER	CUSTOMER	SHEET NUMBER			
		A3-SIZE	504694	SEE CHART	GENERAL	3 OF 3			