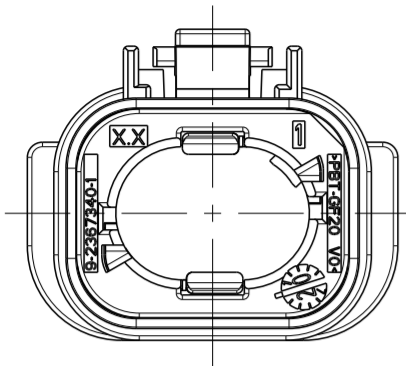


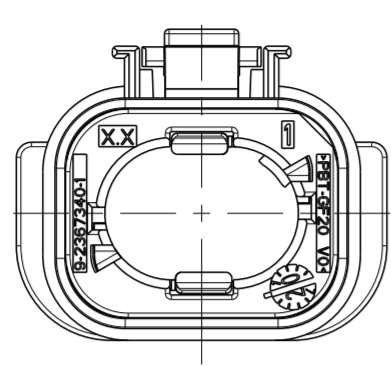
REVISIONS				
P	LTR	DESCRIPTION	DATE	APVD
E		RELEASE PER ECN-22-167703	02AUG2022	DFS
F		SEE ECN-23-198079	20FEB2023	TH
G		See ECN-23-219229	30Jun2023	VP
H		See ECN-23-243998	17NOV2023	VP

CODING "A"
Kodierung



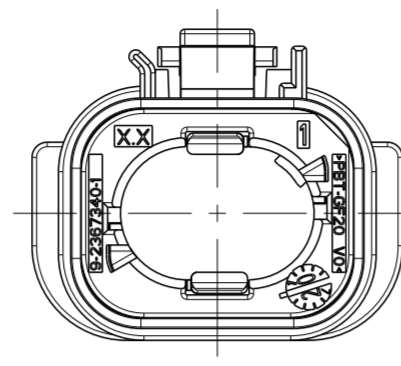
PN: 9-2367337-1

CODING "B"
Kodierung



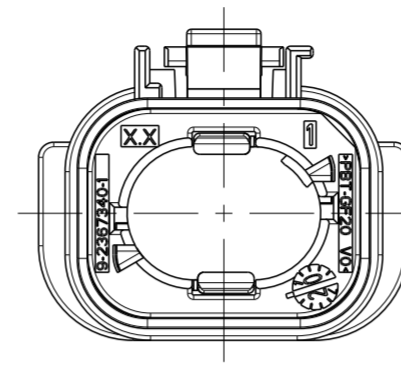
PN: 9-2367337-2

CODING "C"
Kodierung



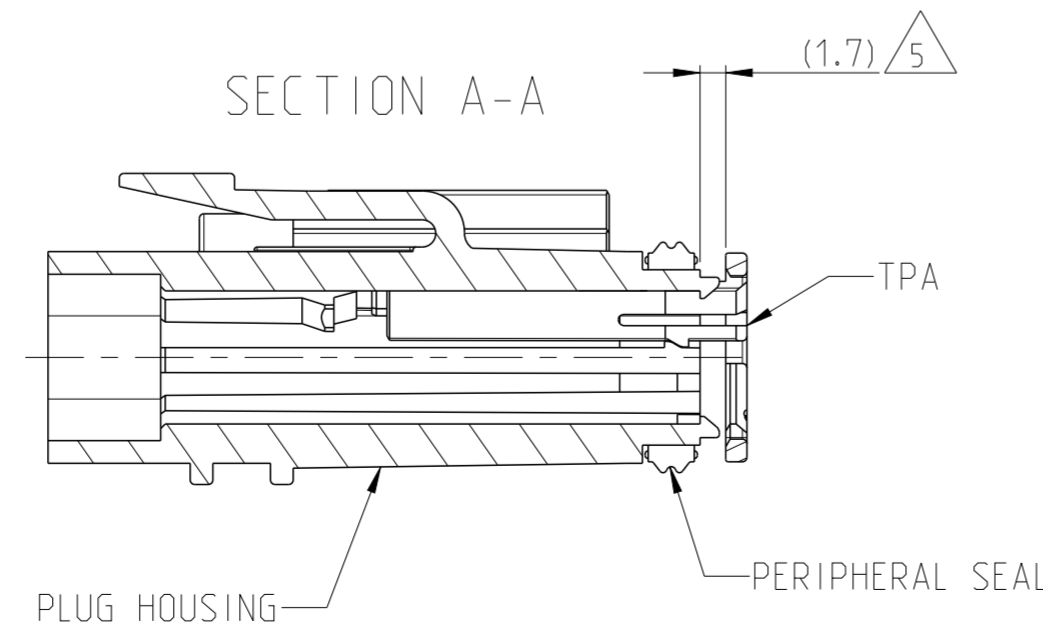
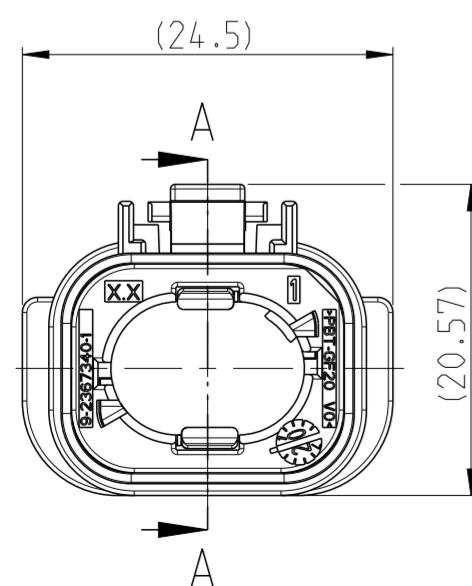
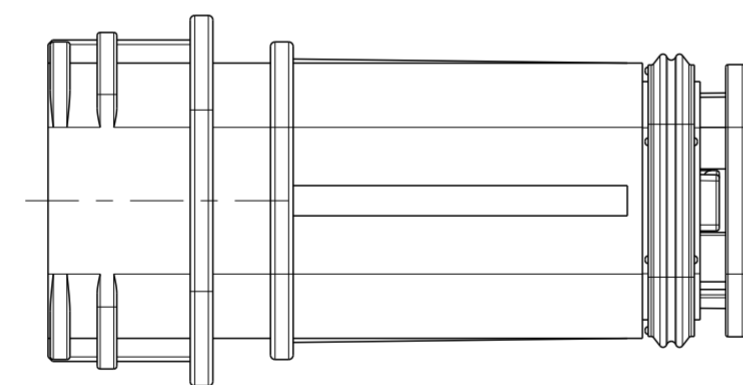
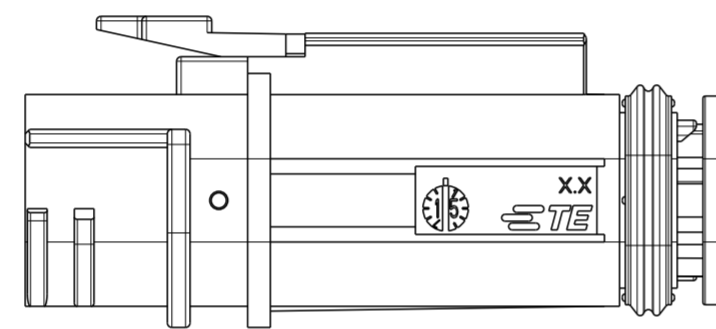
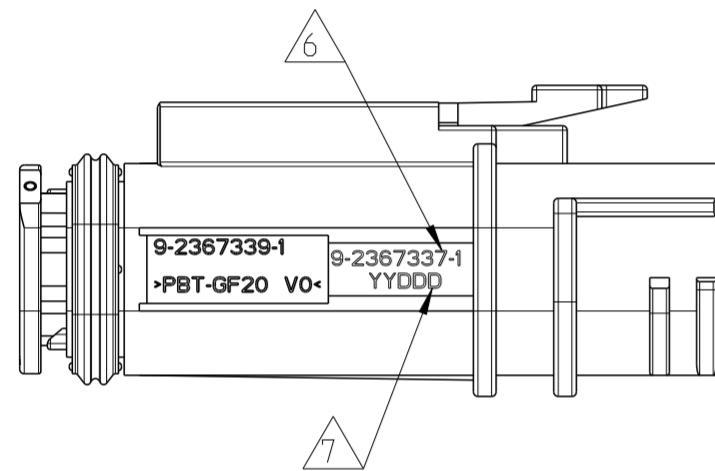
PN: 9-2367337-3

CODING "D"
Kodierung



PN: 9-2367337-4

DELIVERY CONDITION:
TPA IN PRE-LOCKED POSITION
Lieferzustand:
TPA in Vorraststellung



NOTES:

1. MATERIALS:

PLUG HOUSING:
GENERIC TYPE: PBT GF20 / V0
COLOR: SEE TABLE

PERIPHERAL SEAL:
GENERIC TYPE: SILICONE RUBBER
COLOR: LIGHT BLUE

⬡ TPA:
GENERIC TYPE: PBT GF20 / V0
COLOR: NATURAL

2. SUITABLE COUNTERPART SEE DRAWING 2367341 / 2367359

3. MATED WITH COVER 2367344

4. SUITABLE WIRE SEAL: 2367346

⚠ TPA PRE-LOCK POSITION

⚠ LASER MARK TE PART NUMBER USING 2.5 mm HIGH CHARACTERS IN APPROXIMATE LOCATION SHOWN.

⚠ LASER MARK MANUFACTURING DATE CODE IN "YYDDD" JULIAN FORMAT USING 2.5 mm HIGH CHARACTERS IN APPROXIMATE LOCATION SHOWN.
YY: TWO DIGIT YEAR
DDD: THREE DIGIT DAY OF THE YEAR

BLUE	D	9-2367337-4
GREEN	C	9-2367337-3
GREY	B	9-2367337-2
BLACK	A	9-2367337-1
HOUSING COLOR	CODE	TE ORDER NUMBER

THIS DRAWING IS A CONTROLLED DOCUMENT.		DWN K. Schang 26MAR2020	TE Connectivity	
DIMENSIONS: mm		CHK S. Helm 27MAR2020		
TOLERANCES UNLESS OTHERWISE SPECIFIED:		APVD J. Barth 27MAR2020	NAME DT Highspeed Plug Assembly DT Highspeed Buchse Baugruppe	
0 PLC ±		PRODUCT SPEC 108-94825	SIZE A2	
1 PLC ±		APPLICATION SPEC 114-94706	CAGE CODE 00779	
2 PLC ±		WEIGHT 7.9 g	DRAWING NO C-2367337	
3 PLC ±		CUSTOMER DRAWING	RESTRICTED TO	
4 PLC ±		SCALE 2:1	SHEET 1 OF 1	
ANGLES ±			REV H	
FINISH -				
-				