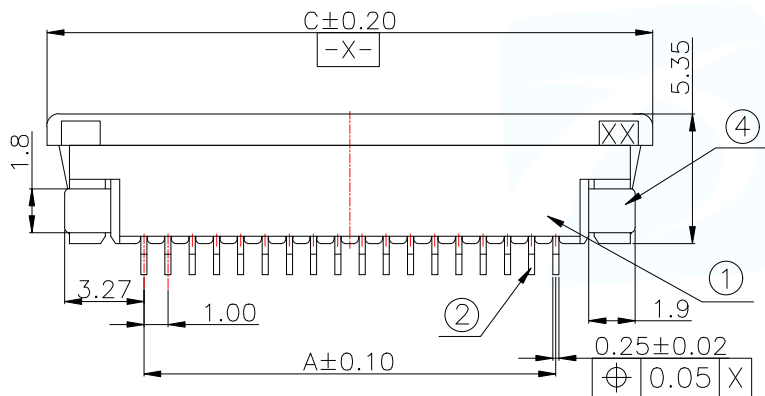
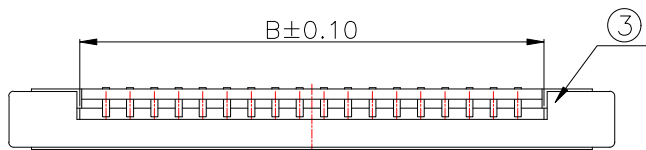


4	FPC 1.0mm带锁抽拉式-焊片	PhosphorBronze T=0.20MM	镀锡	2 PCS	
3	FPC 1.0mm带锁抽拉式-锁扣	LCP	黑色	1 PCS	
2	FPC 1.0mm带锁抽拉式-上接端子	PhosphorBronze T=0.25MM	镀锡/全金	N PCS	
1	FPC 1.0mm带锁抽拉式-基座	LCP	米色	1 PCS	
序号	品名	材料规格	电镀方式/颜色	使用数量	备注

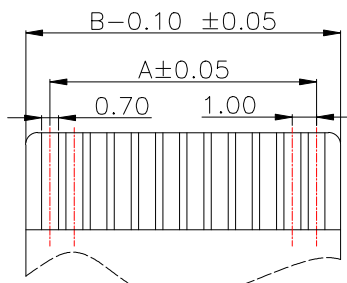
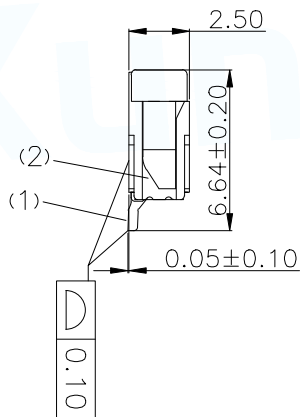
MAPX	MODIFICATION	DATE	DRAW	APPROVE
------	--------------	------	------	---------

Part No	Pin	A	B	C
FPC-1.0AX-4PWBH25	4	3.00	5.10	11.00
FPC-1.0AX-5PWBH25	5	4.00	6.10	12.00
FPC-1.0AX-6PWBH25	6	5.00	7.10	13.00
FPC-1.0AX-7PWBH25	7	6.00	8.10	14.00
FPC-1.0AX-8PWBH25	8	7.00	9.10	15.00
FPC-1.0AX-9PWBH25	9	8.00	10.10	16.00
FPC-1.0AX-10PWBH25	10	9.00	11.10	17.00
FPC-1.0AX-11PWBH25	11	10.00	12.10	18.00
FPC-1.0AX-12PWBH25	12	11.00	13.10	19.00
FPC-1.0AX-13PWBH25	13	12.00	14.10	20.00
FPC-1.0AX-14PWBH25	14	13.00	15.10	21.00
FPC-1.0AX-15PWBH25	15	14.00	16.10	22.00
FPC-1.0AX-16PWBH25	16	15.00	17.10	23.00
FPC-1.0AX-17PWBH25	17	16.00	18.10	24.00
FPC-1.0AX-18PWBH25	18	17.00	19.10	25.00
FPC-1.0AX-19PWBH25	19	18.00	20.10	26.00
FPC-1.0AX-20PWBH25	20	19.00	21.10	27.00
FPC-1.0AX-21PWBH25	21	20.00	22.10	28.00
FPC-1.0AX-22PWBH25	22	21.00	23.10	29.00
FPC-1.0AX-23PWBH25	23	22.00	24.10	30.00
FPC-1.0AX-24PWBH25	24	23.00	25.10	31.00
FPC-1.0AX-25PWBH25	25	24.00	26.10	32.00
FPC-1.0AX-26PWBH25	26	25.00	27.10	33.00
FPC-1.0AX-27PWBH25	27	26.00	28.10	34.00
FPC-1.0AX-28PWBH25	28	27.00	29.10	35.00
FPC-1.0AX-29PWBH25	29	28.00	30.10	36.00
FPC-1.0AX-30PWBH25	30	29.00	31.10	37.00
FPC-1.0AX-31PWBH25	31	30.00	32.10	38.00
FPC-1.0AX-32PWBH25	32	31.00	33.10	39.00
FPC-1.0AX-33PWBH25	33	32.00	34.10	40.00
FPC-1.0AX-34PWBH25	34	33.00	35.10	41.00
FPC-1.0AX-35PWBH25	35	34.00	36.10	42.00
FPC-1.0AX-36PWBH25	36	35.00	37.10	43.00
FPC-1.0AX-37PWBH25	37	36.00	38.10	44.00
FPC-1.0AX-38PWBH25	38	37.00	39.10	45.00
FPC-1.0AX-39PWBH25	39	38.00	40.10	46.00
FPC-1.0AX-40PWBH25	40	39.00	41.10	47.00

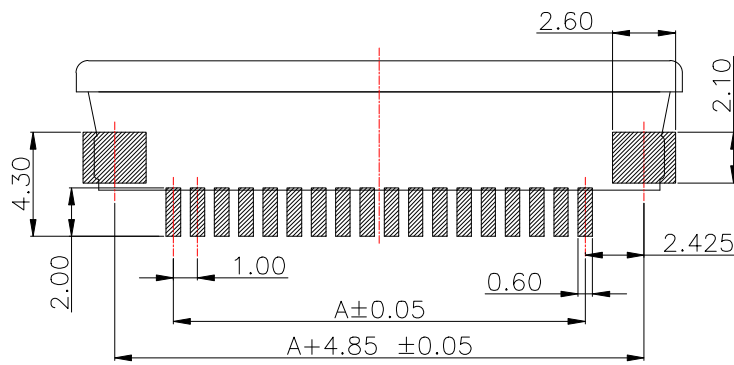
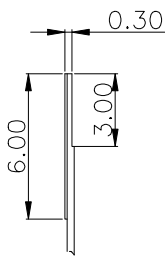
NOTES:  
 额定电流 Current rating: 0.5A  
 额定电压 Voltage rating: 50V  
 耐电压 Withstand voltage: 500V AC/minute  
 接触电阻 Contact resistance: ≤40mΩ  
 绝缘电阻 Insulation resistance: 100MΩ MIN  
 工作温度 Working temperature: -25℃ ~ +85℃



下接:(1)/(2)位置区同向



通用FPC寸法  
Applicable FFC



PCB 寸法  
PCB Layout

MANUFACTURE DWG			东莞市讯普电子科技有限公司 DongGuan XunPu Electronics Co.,Ltd	
UNLESS OTHERWISE SPECIFIED TOLERANCES			TITLE: FPC 1.0mm间距抽层卧式下接贴板	
DECIMALS:	ANGLES:		PAR	FPC-1.0AX-NPWBH25
.X:±0.38	.X':±5°		DWN	
.XX:±0.20	.XX':±3°		CHKD	
.XXX:±0.05	.XXX':±1°	CUSTOMER COPY	SCALE1:1	UNIT:MM
			SIZE:A4	SHEET:1F1
				REV:A