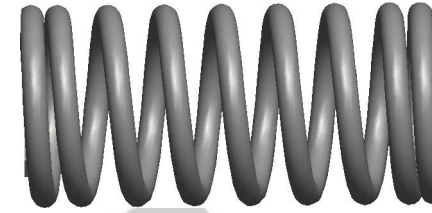
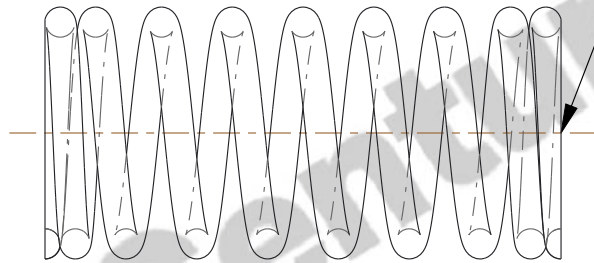


NOTES:

1. Material : Oil Tempered
2. Finish : None - N
3. Ends : Closed and Ground
4. Total Coils : 9.010
5. Sugg. Max. Deflection : 2.900 (in)
6. Sugg. Max. Load : 706.000 (lbs)
7. All Drawing Dimensions are in Inches [mm]



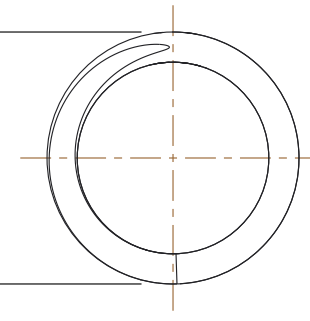
∅ 0.468
[11,89]
WIRE DIA



GROUND
SURFACE

1.910
[48,51]
LENGTH

∅ 3.906
[99,21]
O.D



COMPONENT		SPRINGS	
73448 COMPRESSION SPRINGS		UNIT	INCH [mm]
		SHEET	1 of 1