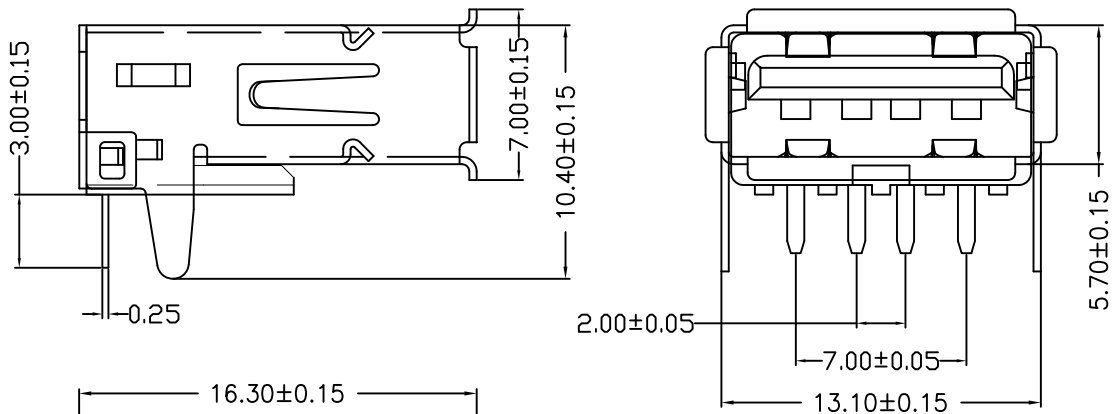


备注：侧弹分为外弹与内弹

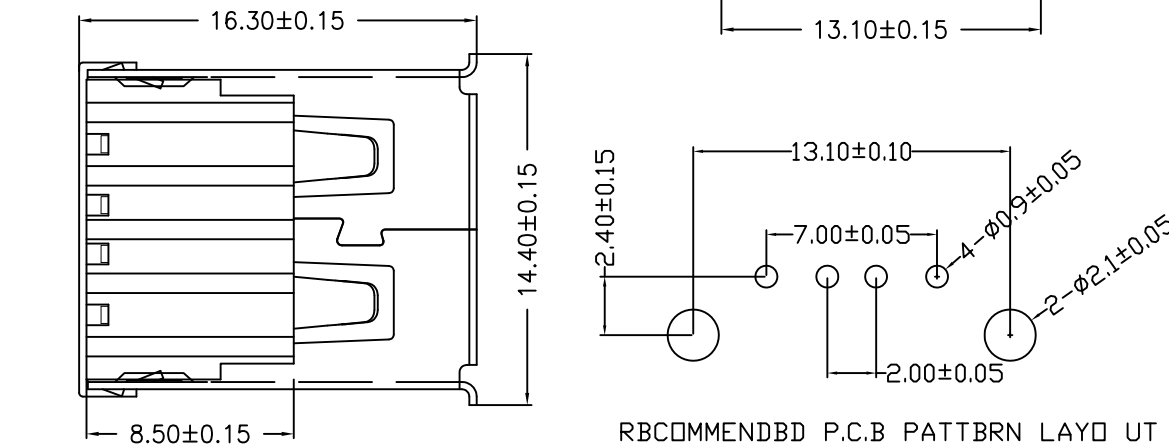
目錄 MAPX	设变内容 MODIFICATION	日期 DATE



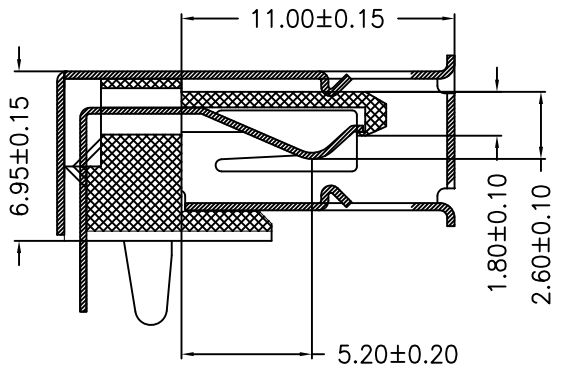
NOTES:

Housing: Thermoplastics,UL94V-0  
 Contact: Copper Alloy  
 Shell: Copper Alloy/Steel  
 Voltage Current Rating:1.5 AMP. 30V AC  
 Insulation Resistance:1000MΩ Min.  
 Contact Resistance:30 MΩ Max.  
 Dielectric Withstanding Voltage:500W AC  
 Temperature Range:-35°C to +85°C  
 Insulator color: Black/White  
 Plastic material:PBT/LCP/Others  
 Shell finish:Nickel plated/Tin-Lead plated  
 Mechanical:  
 Mating Force: 3.5KG MAX  
 Unmating Force:0.7 KG MIN.(END 1500 TIMES )  
 Contact finish:

- 01: Selective Gold Flash
- 02: Selective Gold 3U"
- 03: Selective Gold 5U"
- 04: Selective Gold 15U"
- 05: Selective Gold 30U"



RBCOMMENDBD P.C.B PATTBRN LAYD UT



产品图 PRODUCT CHART DWG		深圳市精拓金电子有限公司									
公差一览表 TOLERANCE UNLESS OTHERWISE				单位 UNITS	MM	制图 DRAWING	Z-Y-B	产品料号 PRODUCT PART NO.	901-131A1013D10101		
X.	±0.25	X'	±5'	比例 SCALE	1:1	审核 CHKD	雷永键	产品名称 PRODUCT NO.	AF90度外扣直脚有边内弹16.3铁壳一型加宽PBT白胶 改胶芯		
.X	±0.20	.X'	±2'						日期 DATE	2013.08.10	核准 APPD
.XX	±0.15	.XX'	±1'	日期 DATE	2013.08.10	核准 APPD	雷永键	角法 VIEW			
.XXX	±0.10	.XXX'	±0.5'								