

PCB LAYOUT(TOLERANCE±0.05)

Remark:

1.MATERIAL:

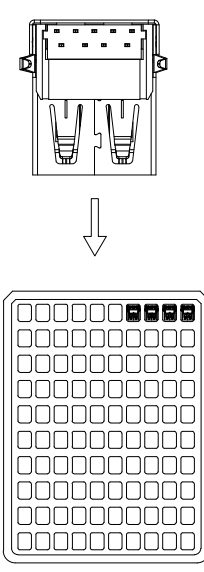
- 1.1 Housing:thermoplastic plastics.
- 1.2 terminals:Copper Alloy
- 1.3 Shell:Copper Alloy/SPCC.

2.characteristics:

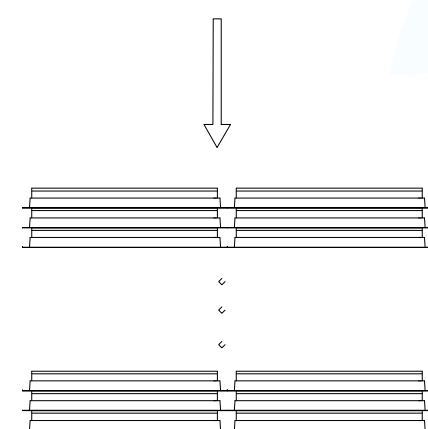
- 2.1 Rating Voltage : 30V AC.
- 2.2 Rating Current:PIN1&PIN4(Vbus&Correponding ground PIN) 1.8A MAX Other PINS 0.25A min.
- 2.3 Contact Resistance:PIN1&PIN4:30 mΩ MAX. Other PINS: 50 mΩ
- 2.4 Insulation Resistance:100 MΩ MIN.
- 2.5 Withstanding Voltage:AC 100V between adjacent contacts
- 2.6 Mating force: 3.57Kgf MAX(35N MAX)
- 2.7 Extraction force:1Kgf Min(9.8N Min)
- 2.8 Life test:1500Cycles MIN.
- 2.9 Temperature Range: -40℃~+85℃.

Pin Number	Signal Name	Pin Number	Signal Name
1	VBUS	5	StdA_SSRX-
2	D-	6	StdA_SSRX+
3	D+	7	GND_DRAIN
4	GND	8	StdA_SSTX-
Shell	Shield	9	StdA_SSTX+

MANUFACTURE DWG		东莞市讯普电子科技有限公司 DongGuan XunPu Electronics Co.,Ltd	
UNLESS OTHERWISE SPECIFIED TOLERANCES			TITLE: USB 3.0 AF 90度 无卷边
DECIMALS:	ANGLES:		PAR USB-301WD-ARW
.X:±0.30	.X':±3'		DWN
.XX:±0.20	.XX':±2'		CHKD
.XXX:±0.10		APVD	SCALE 1:1 UNIT:MM
CUSTOMER COPY		SIZE:A4	SHEET:1F1
			REV:A

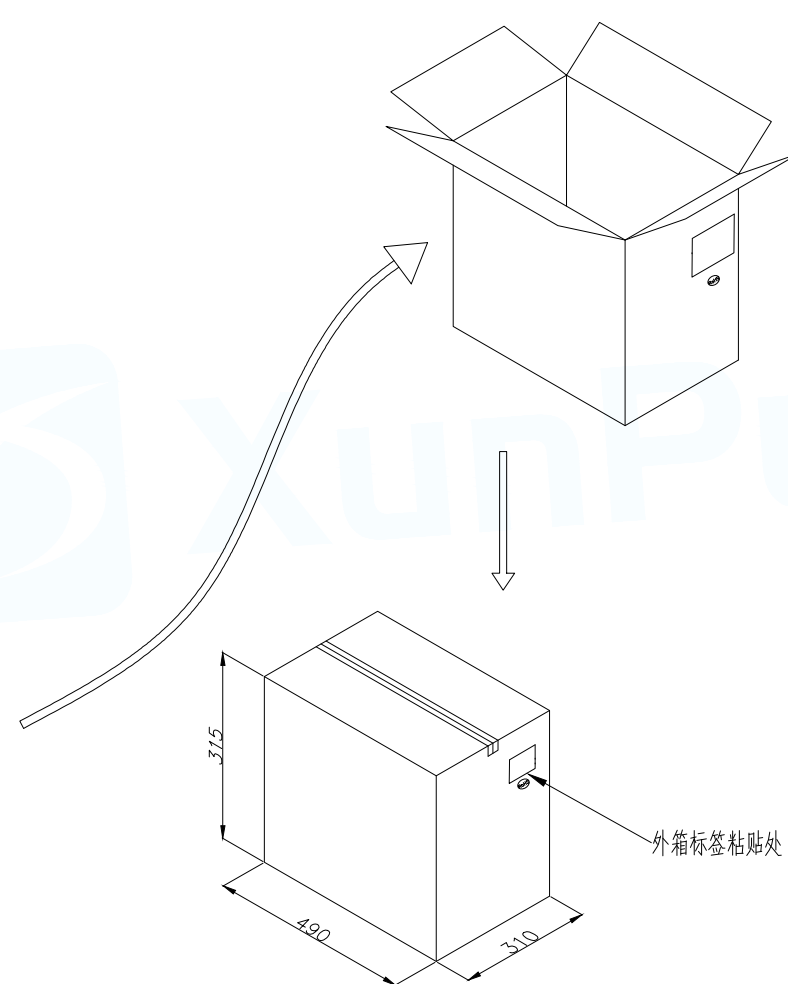


每盒100PCS.



共25层
50盒

25盒分两层放入纸箱中,上层10盒/捆,下层15盒/捆
每箱内放两排50盒,共5000PCS产品.



备注:

1. 将全检后的良品如图示摆入PVC透明吸塑盒中,每盒包装100PCS,摆好后,盖好上盖,贴上QC标签
2. 将装好产品的吸塑盒每箱放两排,每排放两捆.放入规格为490*310*315mm的纸箱中,每箱装5000PCS.
3. 用透明胶工字型封箱,用美纹胶纸贴我司产品标签,出货前需更换为业务提供的客户标签.QC PASS章盖于我司产品标签上.RoHS标签贴于客户标签对应位置.

MANUFACTURE DWG		 东莞市讯普电子科技有限公司 DongGuan XunPu Electronics Co.,Ltd	
UNLESS OTHERWISE SPECIFIED TOLERANCES			TITLE: USB 3.0 AF 90度 无卷边 包装图
			PAR USB-301WD-ARW
DECIMALS:	ANGLES:		DWN
.X:±0.30	.X':±3°		CHKD
.XX:±0.20	.XX':±2°	APVD	SCALE 1:1 UNIT:MM
.XXX:±0.10		CUSTOMER COPY	SIZE:A4 SHEET:1F1 REV:A