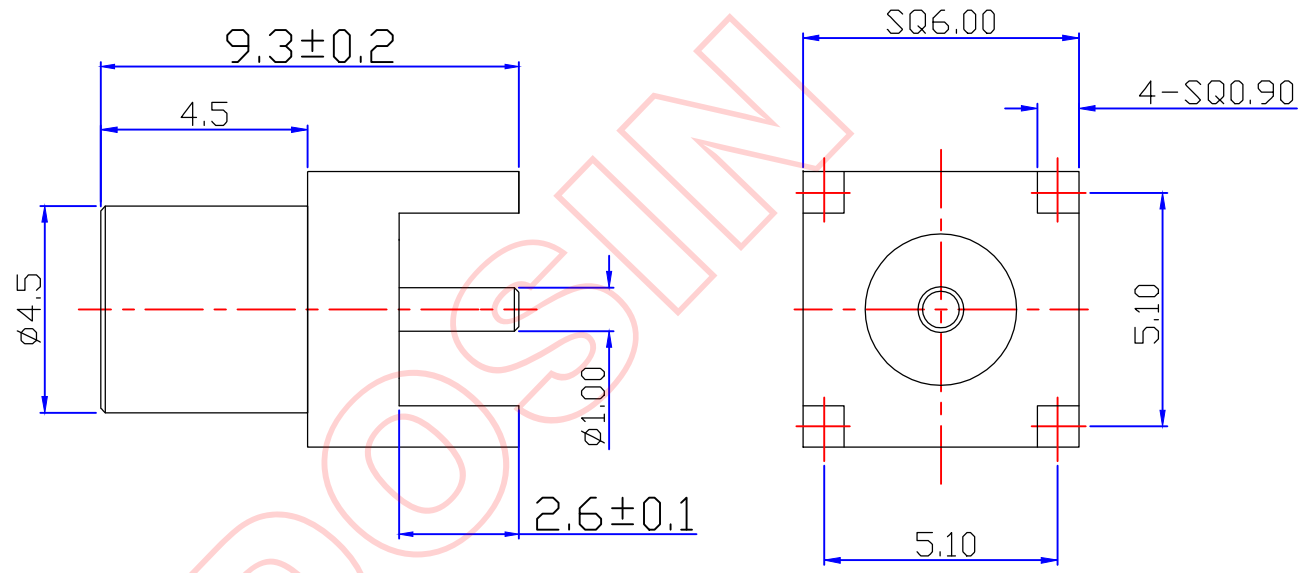




Product NO.		DOSIN-809-0072		
REV	DESCRIPTION	DWN	DATE	APPROVEN
A	First issue	Mr. CHEN	2017/01/12	John kine
B				



Specifications

Impedance: 50 Ohms
 Frequency Range: 0~6Ghz
 VSWR: 1.25max
 Working Voltage: <170 V rms @ sea level
 Insulation Resistance: 5000 Ohms min
 Temperature Range: -65°C TO +165°C
 Drawings products are in line with ROHS standards

1	Body	Brass	GOLD	1	NOTE:	Tolerance	X.	±0.15	Dosin Industrial(H.K)Co.Ltd 东莞市德索五金电子制品有限公司 Dosin Hardware Electronics Co.,Ltd	E-mail: dosin2005@163.com
2	Insulation	Teflon	White	1			X.X	±0.10		dosin2005@dosin-china.com
3	Pin	Brass	GOLD	1			X.XX	±0.08		Web: http://www.china-guan.com
4						Angular	±5°	TEL: (0086)769-81153906	FAX: (0086)769-81875836	
6					DRAWN	View	Name: MCX JACK PCB			
7					Zelin.chen					
8					CHECKED	UNIT	MM	SIZE A	Product NO.	DOSIN-809-0072
9						SCALE	1:1	DateTime	2017/01/12	REV A
10	Component Number	Material	Finish	QTY	APPROVALS	John	CAD FILE		D/company drawings/BD	SHEET: 1 OF 1