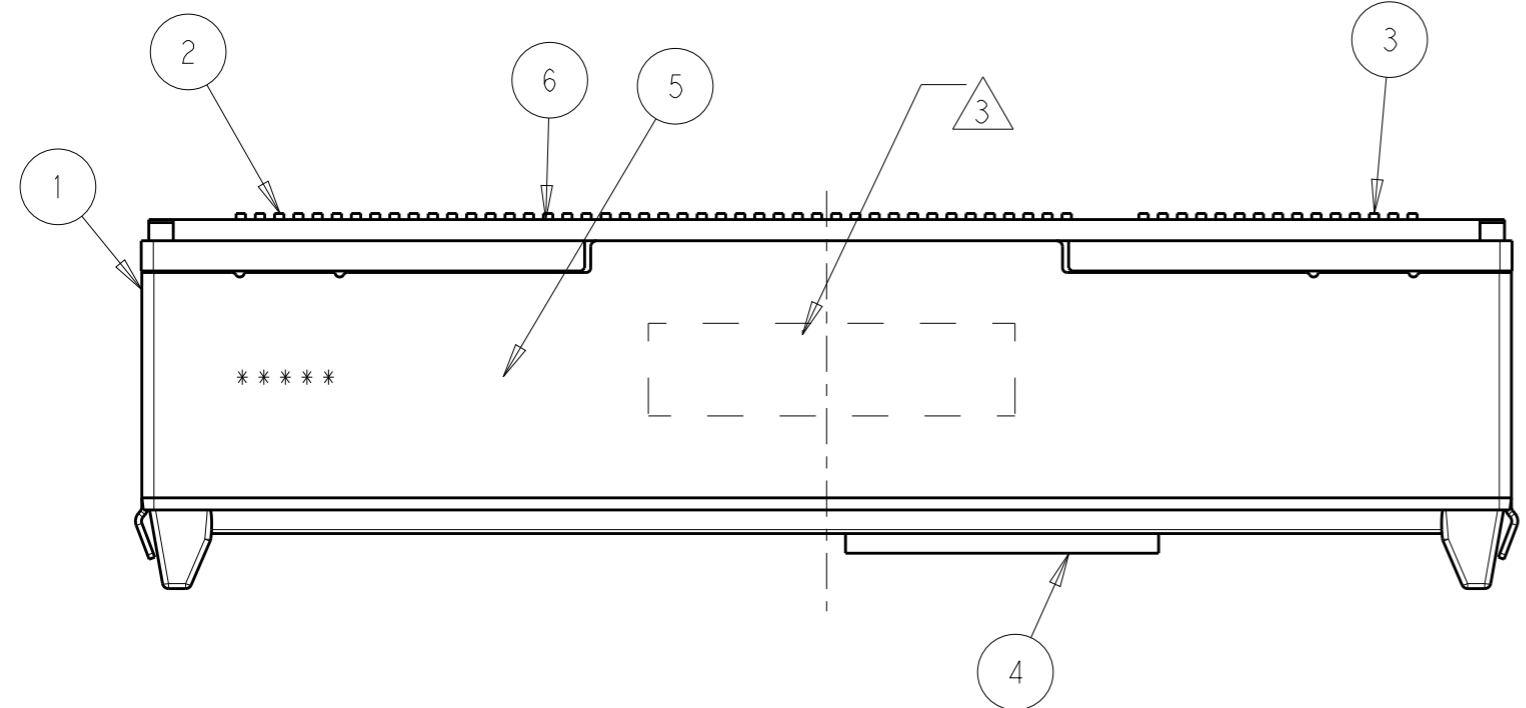


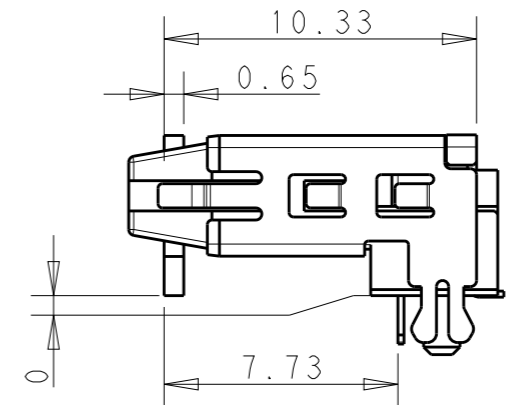
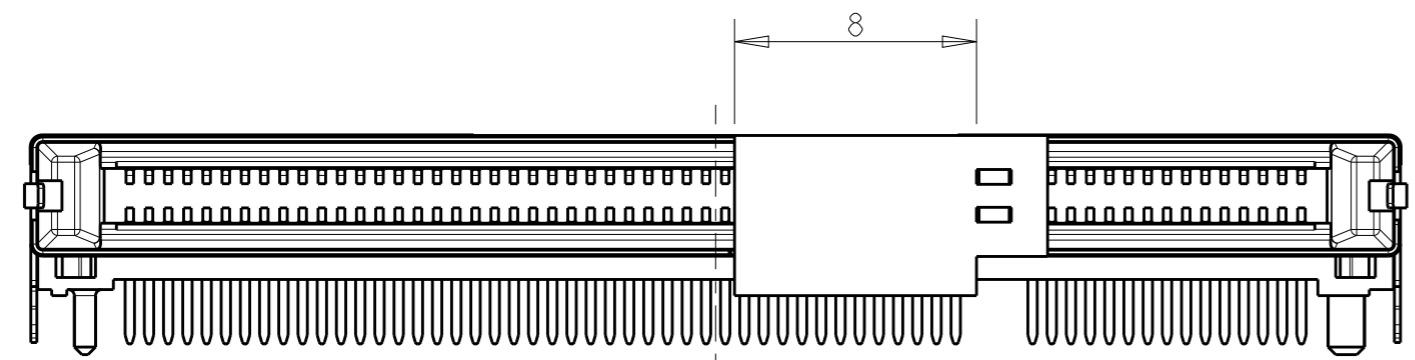
LOC	DIST	REVISIONS			
P	LTR	DESCRIPTION	DATE	DWN	APVD
-	-	A	REVISED	30OCT2012	E.L X.X

WITH CAP CONDITION



NOTE

- ① MATERIAL: ① HOUSING: THERMO-PLASTIC (UL94V-0, BLACK)
 ② POWER CONTACT: COPPER ALLOY
 ③ SIGNAL CONTACT: COPPER ALLOY
 ④ CAP: THERMO-PLASTIC (UL94V-0, BLACK)
 ⑤ SHELL: STAINLESS STEEL
 ⑥ SPACER: THERMO-PLASTIC (UL94V-0, BLACK)
- ② FINISH: CONTACT: ALL OVER Ni UNDER PLATING
 Au PLATING ON CONTACT AREA
 Tin PLATING ON TINE AREA
- ③ PICK & PLACE VACUUM AREA
 SHELL: NICKEL PLATING



Q'TY	NAME	ITEM
1	SPACER	6
1	SHELL	5
1	CAP	4
88	SIGNAL CONT	3
30	POWER CONT	2
1	HOUSING	1

AS SHOWN: 2199015-1

THIS DRAWING IS A CONTROLLED DOCUMENT.		DWN SIMON LI 5AGU2011	TE Connectivity		
DIMENSIONS: mm		CHK SIMON LI 5AGU2011			
		APVD COREI WANG 5AGU2011			
TOLERANCES UNLESS OTHERWISE SPECIFIED:		PRODUCT SPEC			
0 PLC ± 1 PLC ± ±0.25 2 PLC ± ±3° 3 PLC ± 4 PLC ± ANGLES ±		APPLICATION SPEC	NAME PLUG ASSEMBLY 0.635mm PITCH 118 PIN BAY CONNECTOR		
MATERIAL		WEIGHT	SIZE A3	CAGE CODE 00779	DRAWING NO C-2199015
FINISH		CUSTOMER DRAWING	RESTRICTED TO		SCALE 1:1
①		SHEET 1 OF 4		REV A	

4

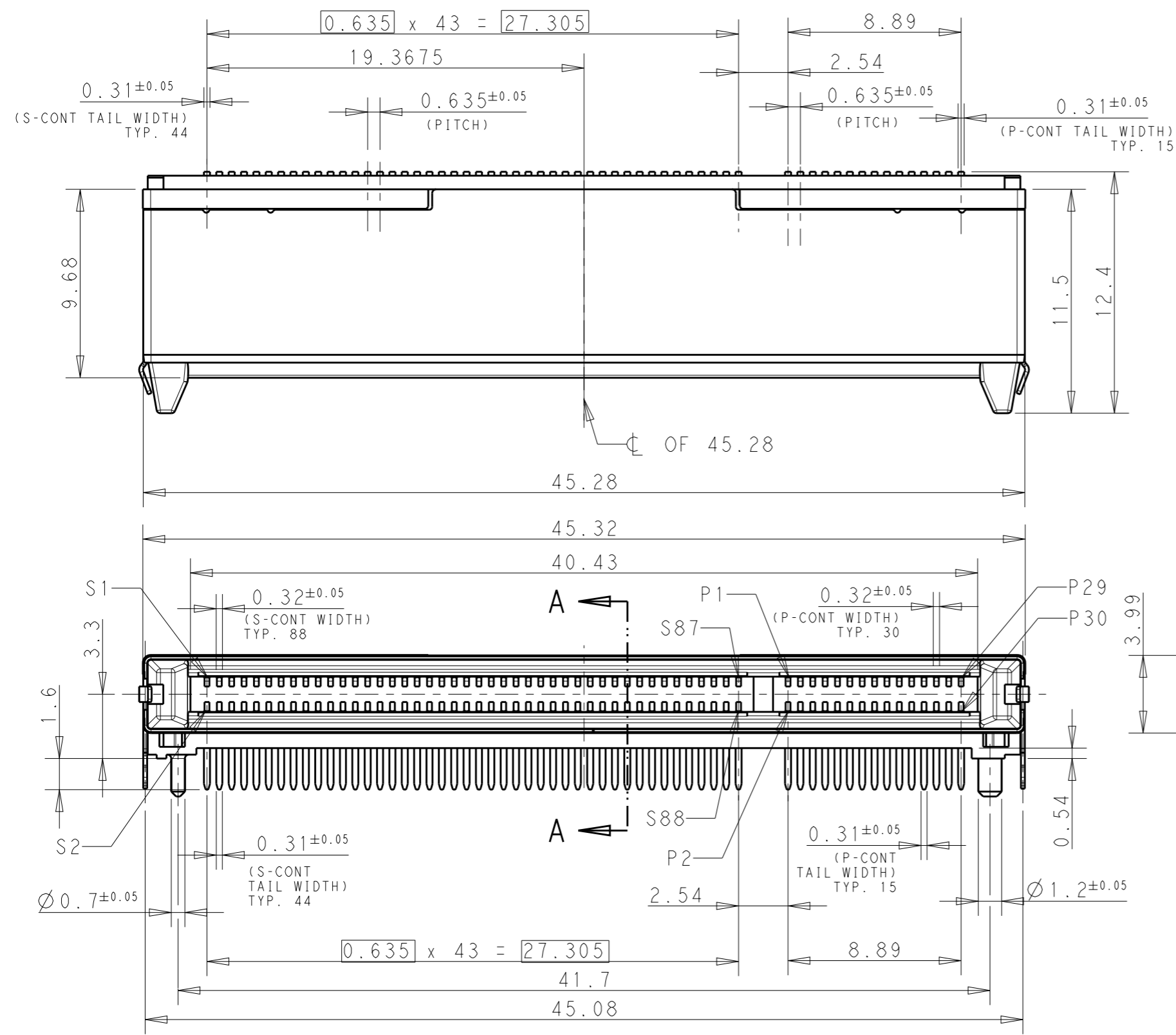
3

2

1

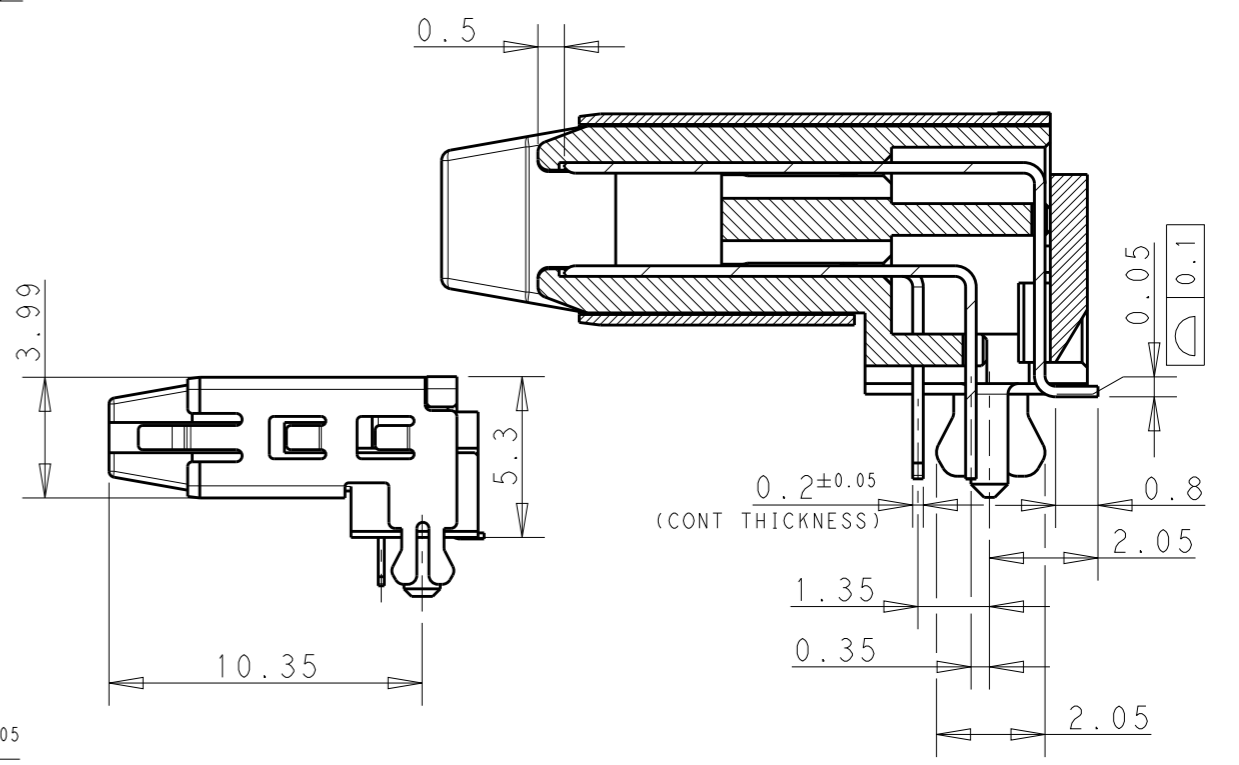
THIS DRAWING IS UNPUBLISHED. RELEASED FOR PUBLICATION 20
 © COPYRIGHT 20 BY - ALL RIGHTS RESERVED.

LOC		DIST		REVISIONS			
P	LTR	DESCRIPTION	DATE	DWN	APVD		
-	-						



WITHOUT CAP CONDITION

MATING CONDITION

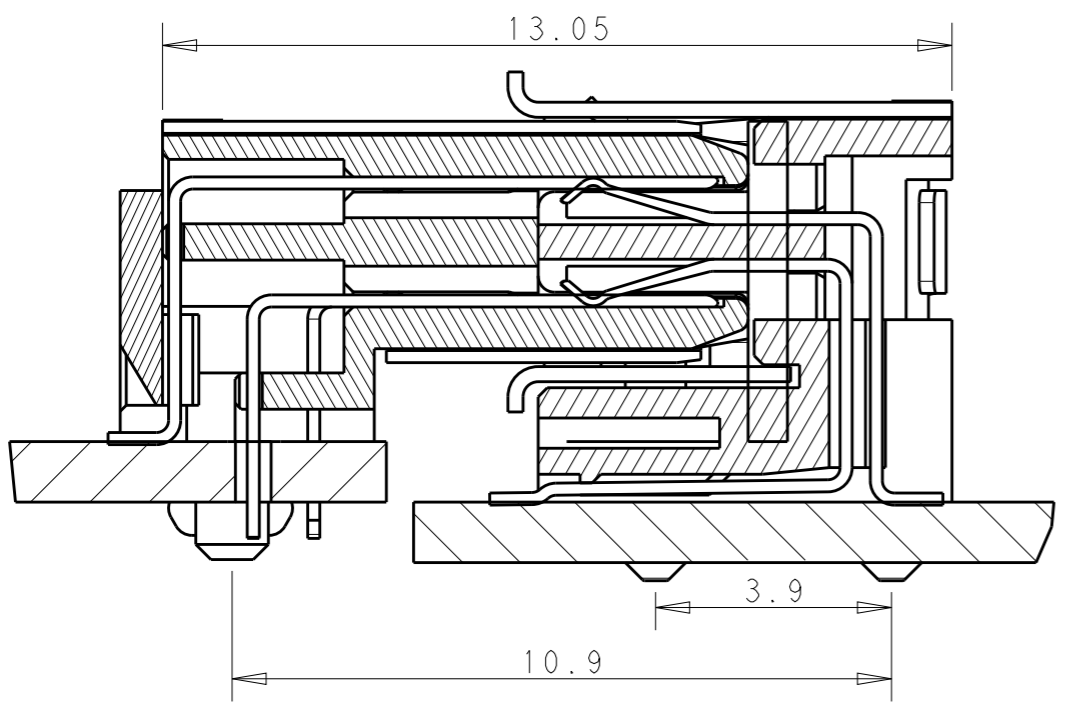
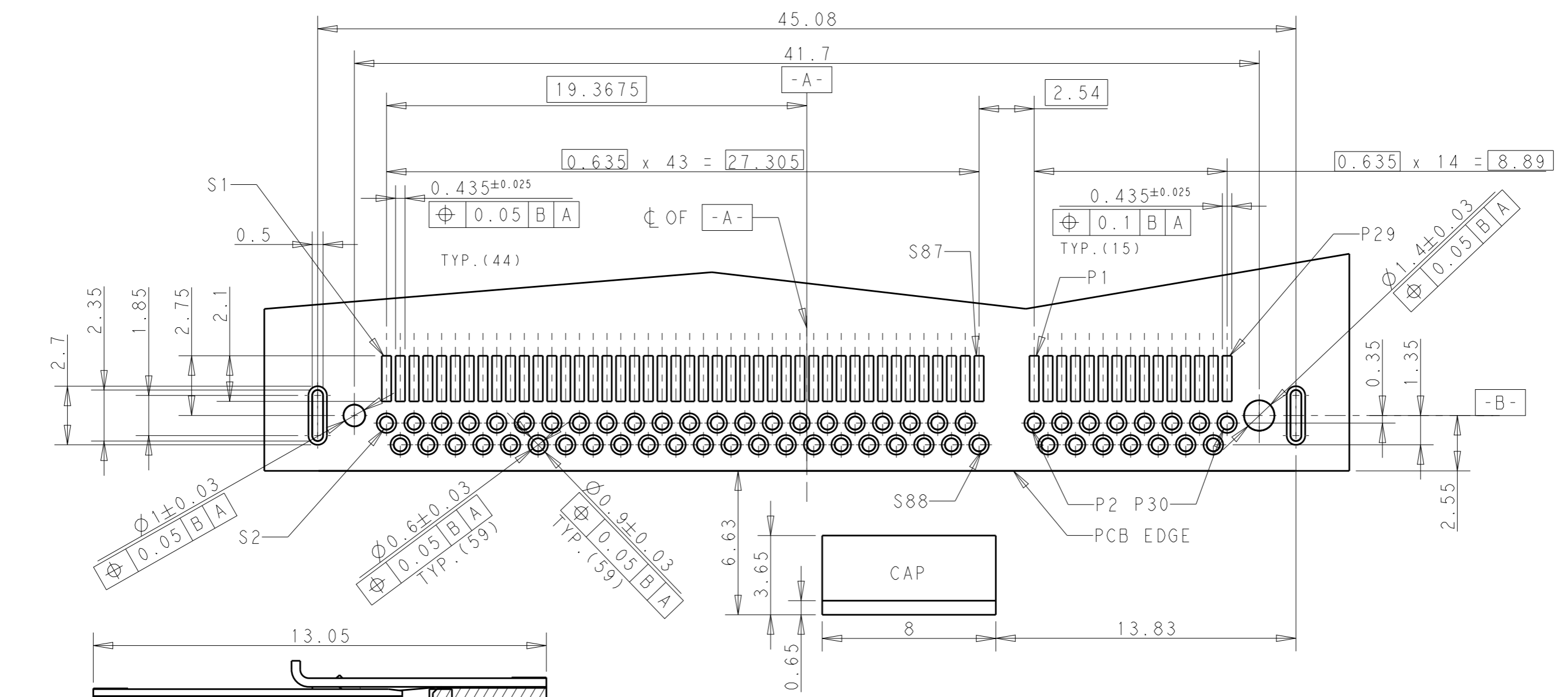


SECTION A-A
SCALE 7:1

THIS DRAWING IS A CONTROLLED DOCUMENT.		DWN SIMON LI	5AGU2011	STE TE Connectivity
DIMENSIONS: mm		CHK SIMON LI	5AGU2011	
TOLERANCES UNLESS OTHERWISE SPECIFIED:		APVD COREI WANG	5AGU2011	NAME PLUG ASSEMBLY 0.635mm PITCH 118 PIN BAY CONNECTOR
0 PLC ± 1 PLC ± 2 PLC ± ±0.25 3 PLC ± ±3° 4 PLC ±		PRODUCT SPEC	-	SIZE A3
MATERIAL		APPLICATION SPEC	-	CAGE CODE 00779
FINISH		WEIGHT	-	DRAWING NO C-2199015
CUSTOMER DRAWING		SCALE 1:1		RESTRICTED TO
		SHEET 2 OF 4		REV A


THIS DRAWING IS UNPUBLISHED. RELEASED FOR PUBLICATION 20
 © COPYRIGHT 20 BY - ALL RIGHTS RESERVED.

LOC		DIST		REVISIONS		
P	LTR	DESCRIPTION	DATE	DWN	APVD	
-	-					



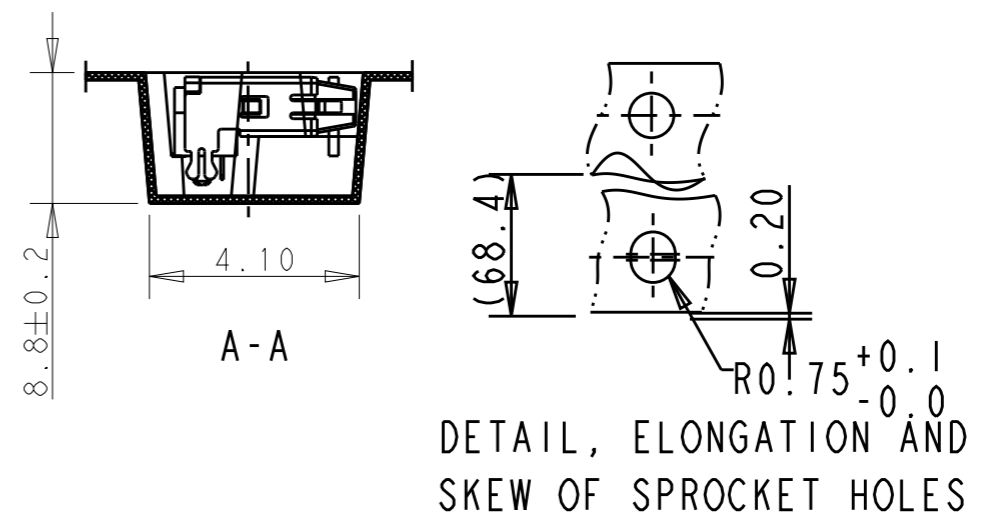
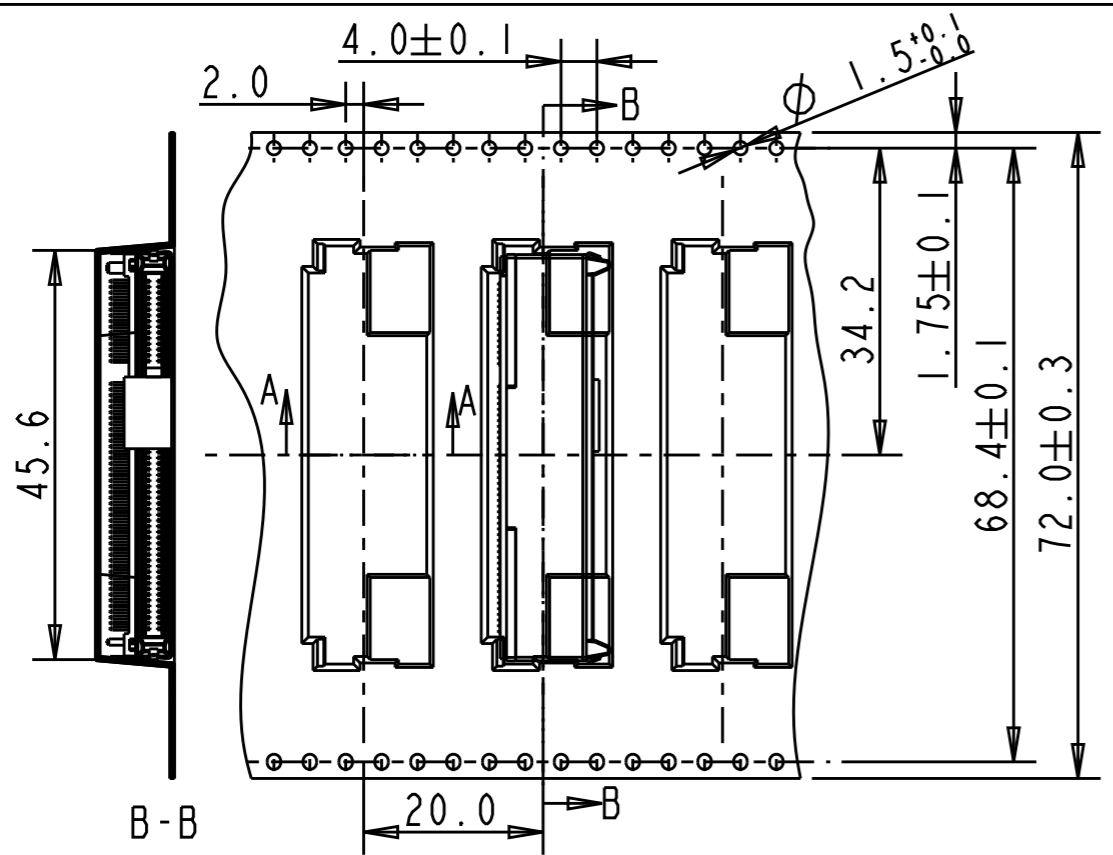
SECTION A-A
SCALE 8:1

SCALE 5:1

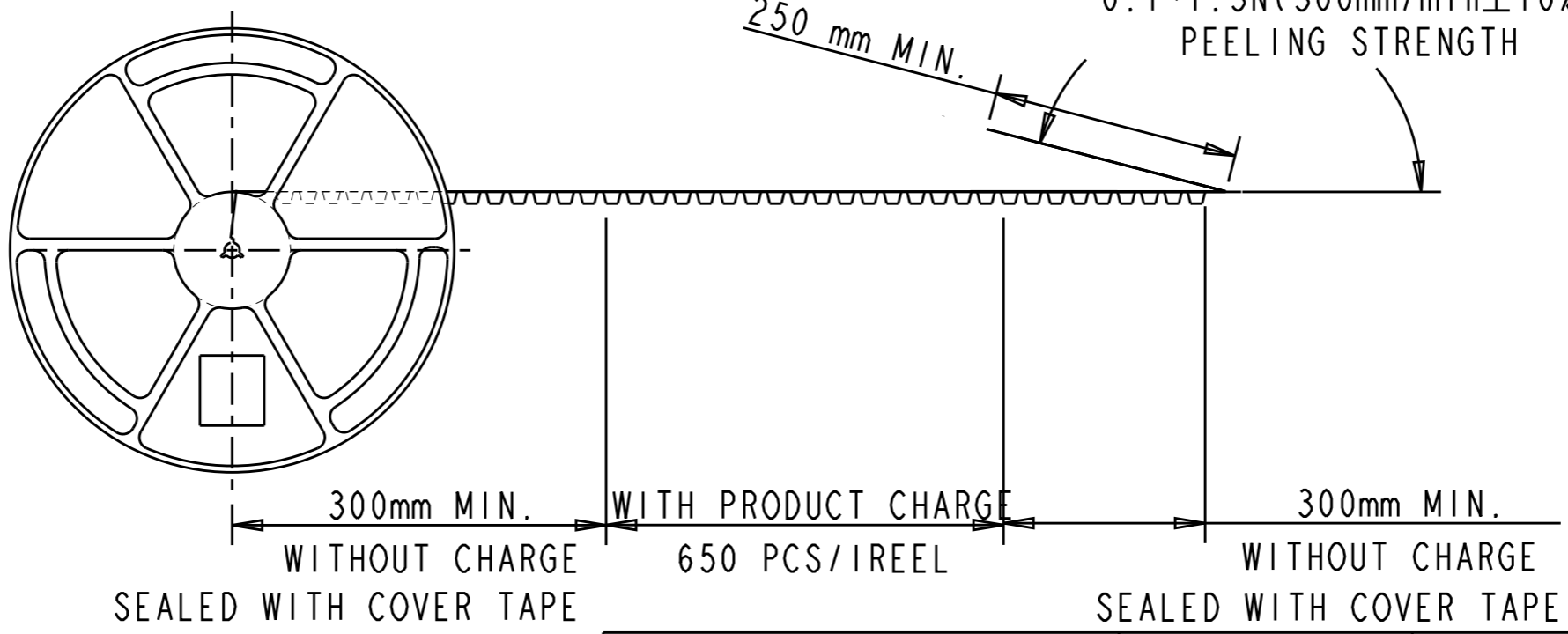
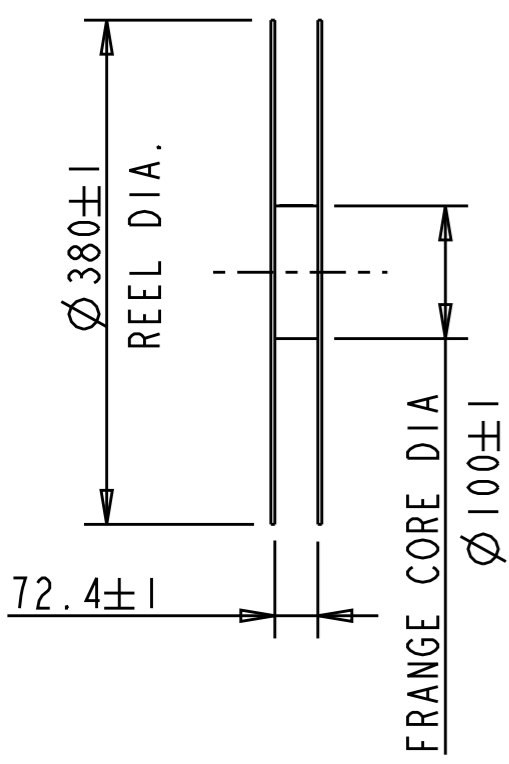
THIS DRAWING IS A CONTROLLED DOCUMENT.		DWN SIMON LI 5AGU2011	 TE Connectivity		
DIMENSIONS: mm		CHK SIMON LI 5AGU2011			
TOLERANCES UNLESS OTHERWISE SPECIFIED:		APVD COREI WANG 5AGU2011	NAME		
0 PLC ±-	±0.05	PRODUCT SPEC	PLUG ASSEMBLY		
1 PLC ±-		APPLICATION SPEC	0.635mm PITCH 118 PIN BAY CONNECTOR		
2 PLC ±-		WEIGHT	SIZE A3	CAGE CODE 00779	DRAWING NO C-2199015
3 PLC ±-		FINISH	RESTRICTED TO		
4 PLC ±-		CUSTOMER DRAWING		SCALE 1:1	
ANGLES ±-		SHEET 3 OF 4		REV A	

THIS DRAWING IS UNPUBLISHED. RELEASED FOR PUBLICATION 20
 © COPYRIGHT 20 BY - ALL RIGHTS RESERVED.

LOC		DIST		REVISIONS			
P	LTR	DESCRIPTION	DATE	DWN	APVD		
-	-						



USER DIRECTION OF UNREELING →



THIS DRAWING IS A CONTROLLED DOCUMENT.		DWN SIMON LI 5AGU2011	TE Connectivity	
DIMENSIONS: mm		CHK SIMON LI 5AGU2011		
TOLERANCES UNLESS OTHERWISE SPECIFIED:		APVD COREI WANG 5AGU2011	NAME PLUG ASSEMBLY	
0 PLC ±-		PRODUCT SPEC -	0.635mm PITCH 118 PIN BAY CONNECTOR	
1 PLC ±-		APPLICATION SPEC -	SIZE A3	CAGE CODE 00779
2 PLC ±-		WEIGHT -	DRAWING NO. C-2199015	RESTRICTED TO -
3 PLC ±-		CUSTOMER DRAWING	SCALE 1:1	SHEET 4 OF 4
4 PLC ±-				REV A
ANGLES ±-				
FINISH -				

Mouser Electronics

Authorized Distributor

Click to View Pricing, Inventory, Delivery & Lifecycle Information:

[TE Connectivity:](#)

[2199015-1](#)