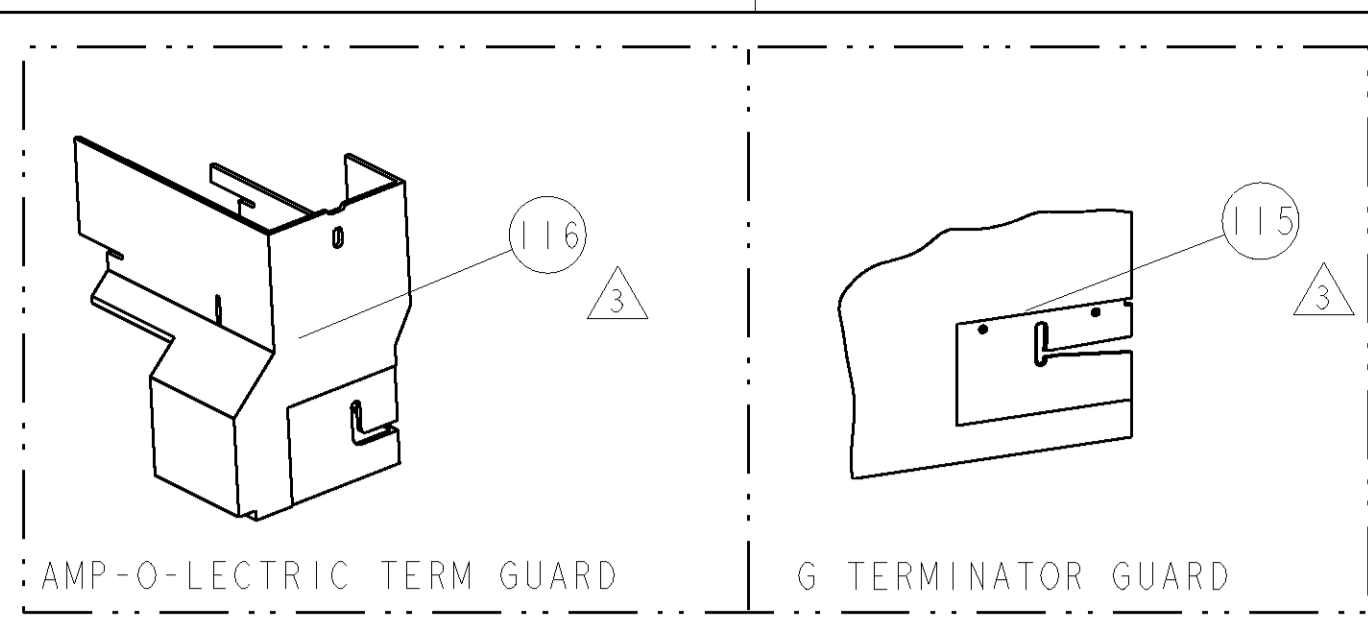
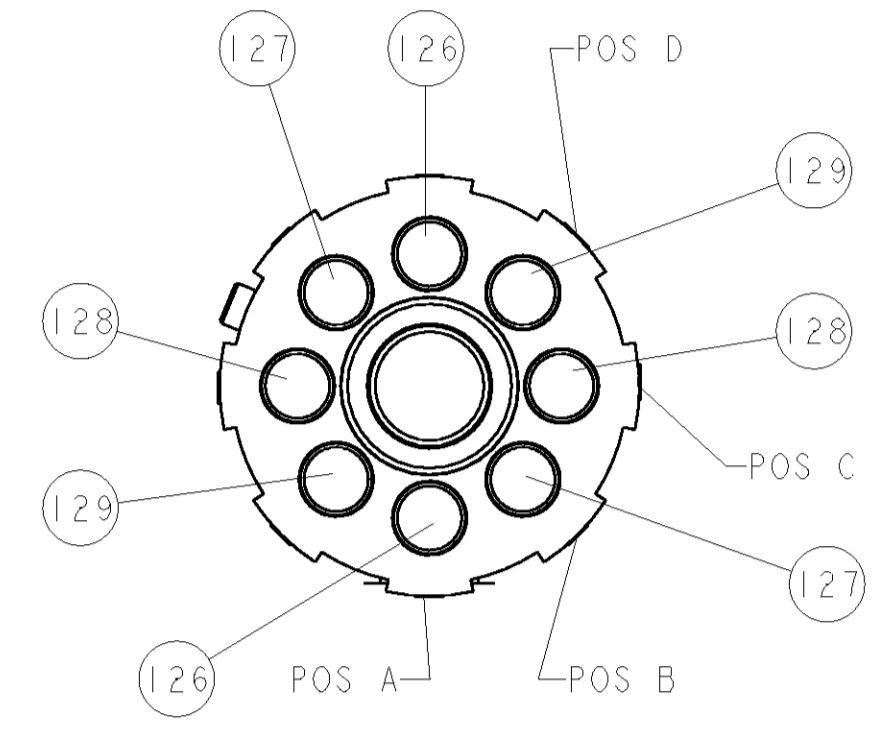
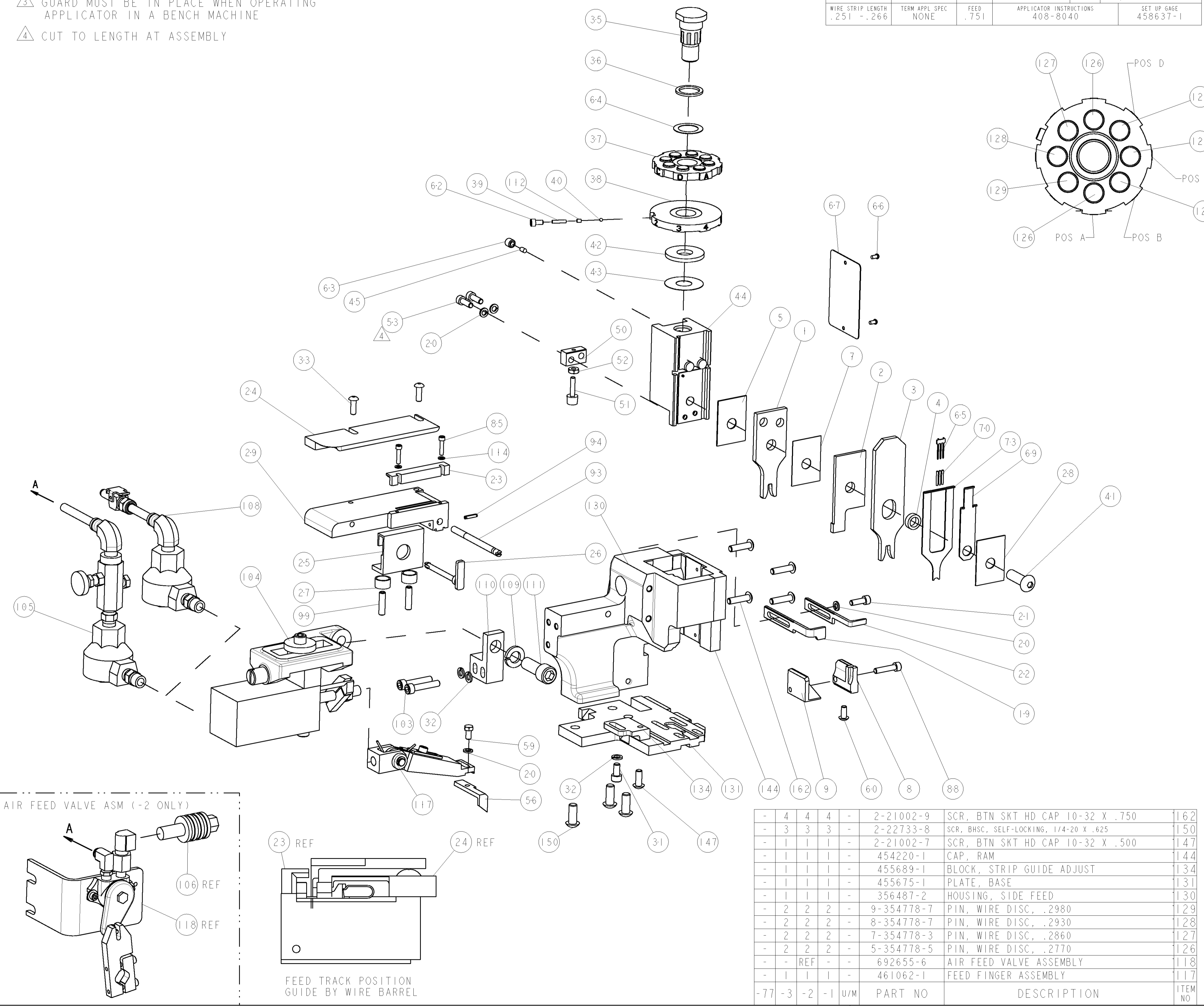


PART NUMBER	REV	FIRST USED	POWER UNIT	FEED TYPE	DESCRIPTION
1852563-1	A	122500-1	LEADMAKER	AIR FEED	CUTS CARRIER
1852563-2	A	565435-5	BENCH MODEL K	AIR FEED	CUTS CARRIER
1852563-3	A	354500-1	BENCH MODEL G	AIR FEED	CUTS CARRIER
7-1852563-7	A	-	-	-	SPARE PARTS

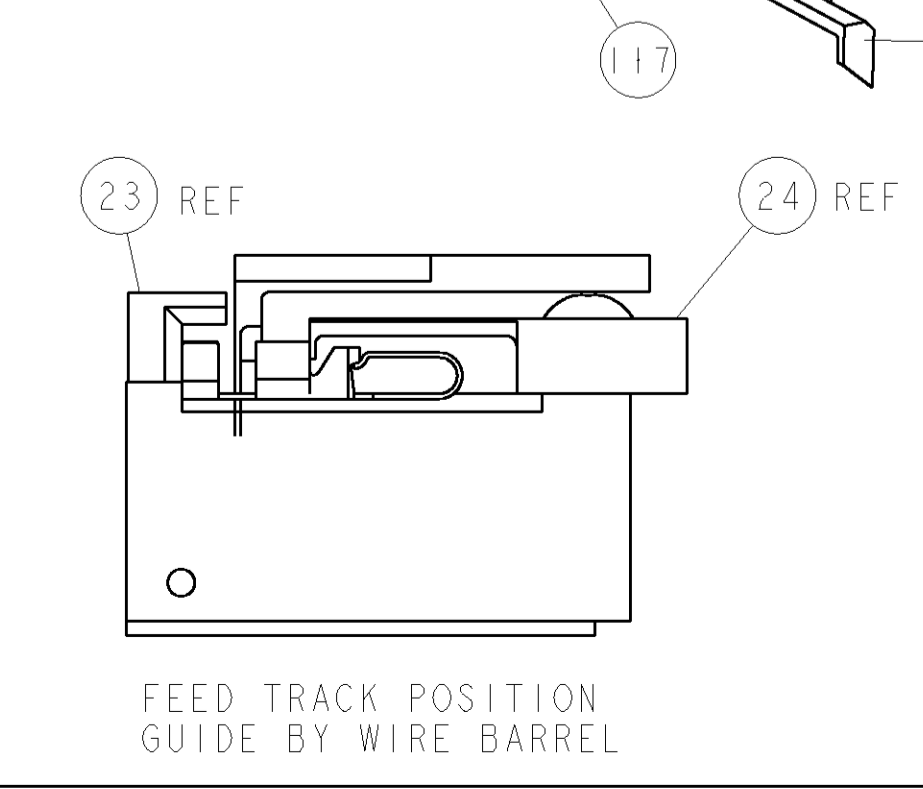
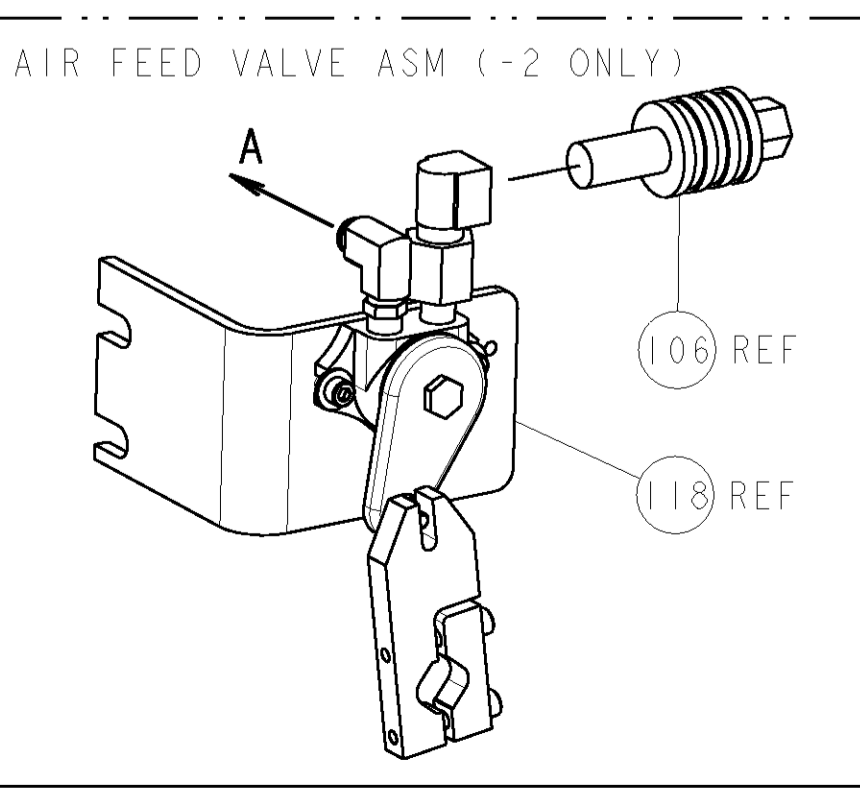


TERMINAL NAME: TERMINAL		STANDEX TERMINAL - STANDEX CRIMP SPECS	
TE PN	COMP PN	CRIMP HEIGHT	WIRE SIZE
1949511-1	PL168M-3	-	-
-	-	A .100±.002 [2.54±0.05mm]	12AWG
-	-	B .092±.002 [2.34±0.05mm]	14AWG
-	-	C .085±.002 [2.16±0.05mm]	16AWG
-	-	D .080±.002 [2.03±0.05mm]	18AWG
-	-	CRIMP	SIZE
-	-	WIRE	.136 [3.45mm] F
-	-	INSUL	.160 [4.06mm] F
-	-	FEED	∅.100-.150
WIRE STRIP LENGTH	TERM APPL SPEC	APPLICATOR INSTRUCTIONS	SET UP GAGE
.251-.266	NONE	408-8040	458637-1

- △ RECOMMENDED SPARE PARTS
- △ GREASE LIGHTLY
- △ GUARD MUST BE IN PLACE WHEN OPERATING APPLICATOR IN A BENCH MACHINE
- △ CUT TO LENGTH AT ASSEMBLY



LOC	DIST	P LTR	DESCRIPTION	DATE	OWN	APVD	
A	66		RELEASED	13MAY2009	RK	TE	
3/3	-	-	REF - ..	455749-1		116	
-	-	-	REF - ..	679532-1		115	
-	-	-	- 2 - -	21024-2		114	
-	-	-	1 1 1 -	690603-1		112	
-	-	-	1 1 1 -	3-21001-5		111	
-	-	-	1 1 1 -	459610-1		110	
-	-	-	1 1 1 -	21024-8		109	
-	-	-	1 - 1 -	692655-7		108	
-	-	-	REF - -	24024-2		106	
-	-	-	1 - 1 -	692655-5		105	
-	-	-	1 1 1 -	461065-1		104	
-	-	-	2 2 2 -	3-21000-9		103	
-	-	-	2 2 2 -	5-21006-6		99	
-	-	-	1 1 1 -	3-21028-5		94	
-	-	-	1 1 1 -	690432-3		93	
-	-	-	1 1 1 -	2-21000-9		88	
-	-	-	2 2 2 -	1-21000-5		85	
-	-	-	1 1 1 -	1490525-5		73	
-	-	-	1 1 1 -	4088040		72	
-	-	-	1 1 1 -	217238-1		71	
-	-	-	3 3 3 -	2-23147-2		70	
-	-	-	1 1 1 -	1490524-2		69	
-	-	-	1 1 1 -	461264-1		67	
-	-	-	2 2 2 -	21017-2		66	
-	-	-	1 1 1 -	1424350-1		65	
-	-	-	1 1 1 -	986950-1		64	
-	-	-	1 1 1 -	21009-2		63	
-	-	-	1 1 1 -	23030-1		62	
-	-	-	1 1 1 -	22733-8		60	
-	-	-	1 1 1 -	2-22603-0		59	
-	-	-	1 1 1 -	1-694433-7		56	
-	-	-	2 2 2 -	2-21000-7		53	
-	-	-	1 1 1 -	21018-5		52	
-	-	-	1 1 1 -	811242-2		51	
-	-	-	1 1 1 -	690753-1		50	
-	-	-	1 1 1 -	690191-1		45	
-	-	-	1 1 1 -	1-819307-2		44	
-	-	-	1 1 1 -	690125-1		43	
-	-	-	1 1 1 -	690124-1		42	
-	-	-	1 1 1 -	7-21002-9		41	
-	-	-	1 1 1 -	23241-6		40	
-	-	-	1 1 1 -	690170-1		39	
-	-	-	1 1 1 -	690142-1		38	
-	-	-	1 1 1 -	354777-1		37	
-	-	-	1 1 1 -	22480-5		36	
-	-	-	1 1 1 -	690212-1		35	
-	-	-	2 2 2 -	2-21002-2		33	
-	-	-	3 3 3 -	21024-5		32	
-	-	-	1 1 1 -	3-21000-4		31	
-	-	-	1 1 1 -	5-455671-3		29	
-	-	-	1 1 1 -	455888-5		28	
-	-	-	2 2 2 -	1-22284-0		27	
-	-	-	1 1 1 -	690546-1		26	
-	-	-	1 1 1 -	2-690754-2		25	
-	-	-	1 1 1 -	8-690504-6		24	
-	-	-	1 1 1 -	690712-1		23	
-	-	-	- - - -	690472-2		22	
-	-	-	1 1 1 -	2-21000-7		21	
-	-	-	4 4 4 -	21024-4		20	
-	-	-	1 1 - -	691353-1		19	
-	-	-	- - - -	-		13	
-	-	-	- - - -	-		12	
-	-	-	- - - -	-		11	
-	-	-	- - - -	-		10	
-	-	-	1 1 1 -	3-853714-7		9	
-	-	-	1 1 1 -	1214596-7		8	
-	-	-	1 1 1 -	455888-3		7	
-	-	-	- - - -	-		6	
-	-	-	1 1 1 -	455888-7		5	
-	-	-	1 1 1 -	238011-1		4	
-	-	-	1 1 1 -	2-1424909-8		3	
-	-	-	1 1 1 -	1633601-1		2	
-	-	-	1 1 1 -	1-1633588-1		1	
-77	-3	-2	-1	U/M	PART NO	DESCRIPTION	ITEM NO
-	4	4	4	-	2-21002-9	SCR, BTN SKT HD CAP 10-32 X .750	162
-	3	3	3	-	2-22733-8	SCR, BHSC, SELF-LOCKING, 1/4-20 X .625	150
-	1	1	1	-	2-21002-7	SCR, BTN SKT HD CAP 10-32 X .500	147
-	1	1	1	-	454220-1	CAP, RAM	144
-	1	1	1	-	455689-1	BLOCK, STRIP GUIDE ADJUST	134
-	1	1	1	-	455675-1	PLATE, BASE	131
-	1	1	1	-	356487-2	HOUSING, SIDE FEED	130
-	2	2	2	-	9-354778-7	PIN, WIRE DISC, .2980	129
-	2	2	2	-	8-354778-7	PIN, WIRE DISC, .2930	128
-	2	2	2	-	7-354778-3	PIN, WIRE DISC, .2860	127
-	2	2	2	-	5-354778-5	PIN, WIRE DISC, .2770	126
-	-	REF	-	-	692655-6	AIR FEED VALVE ASSEMBLY	118
-	1	1	1	-	461062-1	FEED FINGER ASSEMBLY	117
-77	-3	-2	-1	U/M	PART NO	DESCRIPTION	ITEM NO



THIS DRAWING IS UNPUBLISHED. RELEASED FOR PUBLICATION.

DATE: 13MAY2009

SCALE: 3:5

SHEET 1 OF 1

REV A

Tyco Electronics  
Harrisburg, PA 17105-3608

NAME: SIDE FEED HDM APPLICATOR

SIZE: A1

CAGE CODE: 00779

DRAWING NO: C=1852563

CUSTOMER DRAWING

CUSTOMER VIEWABLE ASSEMBLY

# Mouser Electronics

Authorized Distributor

Click to View Pricing, Inventory, Delivery & Lifecycle Information:

[TE Connectivity:](#)

[1852563-3](#)