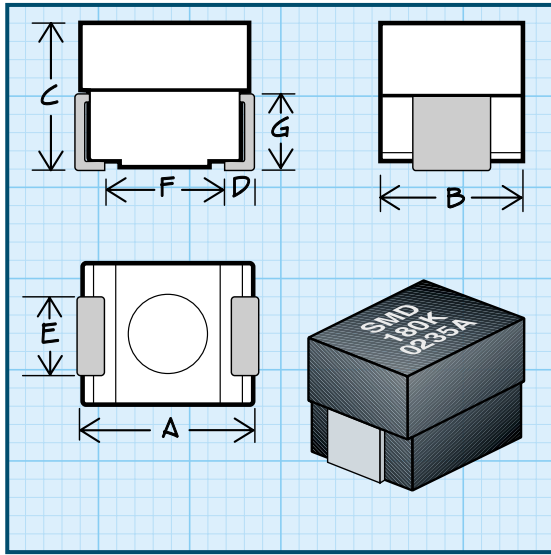


Unshielded Surface Mount Inductors



Physical Parameters

	Inches	Millimeters
A	0.095 to 0.115	2.41 to 2.92
B	0.085 to 0.105	2.16 to 2.66
C	0.075 to 0.095	1.91 to 2.41
D	0.010 to 0.030	0.26 to 0.76
E	0.040 to 0.060	1.02 to 1.52
F	0.060 (Ref. only)	1.52 (Ref. only)
G	0.045 (Ref. only)	1.14 (Ref. only)

Dimensions "A" and "C" are over terminals.

Weight Max. (Grams) 0.1

Operating Temperature Range -55°C to +125°C

Current Rating at 90°C Ambient 35°C Rise

Maximum Power Dissipation at 90°C

Phenolic: 0.169 W

Ferrite: 0.208 W

Packaging Tape & reel (8mm): 7" reel, 2000 pieces max.; 13" reel, 7000 pieces max.

Made In the U.S.A. Patent Protected

DASH NUMBER*	INDUCTANCE (µH)	TOLERANCE	Q MINIMUM	TEST FREQUENCY (MHz)	SRF MINIMUM (MHz)	DC RESISTANCE MAXIMUM (OHMS)	CURRENT RATING MAX. (mA)
SERIES 1008 PHENOLIC CORE							
-018M	0.0018	±20%	40	50	2700	0.050	1562
-022M	0.0022	±20%	40	50	2700	0.050	1562
-027M	0.0027	±20%	40	50	2700	0.050	1562
-033M	0.0033	±20%	40	50	2700	0.050	1562
-039M	0.0039	±20%	40	50	2700	0.050	1562
-047M	0.0047	±20%	40	50	2700	0.050	1562
-056M	0.0056	±20%	40	50	2700	0.050	1562
-068M	0.0068	±20%	40	50	2700	0.050	1562
-082M	0.0082	±20%	40	50	2700	0.050	1562
-100K	0.010	±10%	40	50	2700	0.050	1562
-120K	0.012	±10%	40	50	2450	0.058	1450
-150K	0.015	±10%	40	50	2200	0.064	1381
-180K	0.018	±10%	40	50	2000	0.070	1320
-220K	0.022	±10%	35	50	1800	0.080	1235
-270K	0.027	±10%	35	50	1625	0.090	1164
-330K	0.033	±10%	30	50	1450	0.100	1105
-390K	0.039	±10%	30	50	1335	0.110	1053
-470K	0.047	±10%	30	50	1220	0.120	1008
-560K	0.056	±10%	25	50	1110	0.170	847
-680K	0.068	±10%	25	50	1000	0.180	823
-820K	0.082	±10%	25	50	915	0.190	801
-101K	0.100	±10%	15	25	550	0.230	728
SERIES 1008 FERRITE CORE							
-121K	0.12	±10%	40	25	750	0.100	1225
-151K	0.15	±10%	40	25	650	0.110	1168
-181K	0.18	±10%	40	25	550	0.120	1119
-221K	0.22	±10%	40	25	450	0.135	1055
-271K	0.27	±10%	40	25	375	0.150	1000
-331K	0.33	±10%	40	25	300	0.165	954
-391K	0.39	±10%	40	25	250	0.180	913
-471K	0.47	±10%	40	25	215	0.210	846
-561K	0.56	±10%	40	25	195	0.230	808
-681K	0.68	±10%	40	25	175	0.260	760
-821K	0.82	±10%	40	25	140	0.300	708
-102J	1.0	±5%	30	7.9	125	0.320	685
-122J	1.2	±5%	30	7.9	100	0.430	591
-152J	1.5	±5%	30	7.9	92	0.500	548
-182J	1.8	±5%	30	7.9	76	0.720	457
-222J	2.2	±5%	30	7.9	70	0.800	433
-272J	2.7	±5%	30	7.9	62	0.880	413
-332J	3.3	±5%	30	7.9	60	0.950	398
-392J	3.9	±5%	30	7.9	57	1.20	354
-472J	4.7	±5%	30	7.9	47	1.35	334
-562J	5.6	±5%	30	7.9	44	1.54	312
-682J	6.8	±5%	30	7.9	35	2.00	274
-822J	8.2	±5%	30	7.9	33	2.16	264
-103J	10	±5%	30	7.9	28	2.50	245
-123J	12	±5%	30	2.5	24	3.50	207
-153J	15	±5%	30	2.5	21	4.00	194
-183J	18	±5%	30	2.5	19	5.00	173
-223J	22	±5%	30	2.5	17	6.00	158
-273J	27	±5%	30	2.5	15	7.00	146
-333J	33	±5%	30	2.5	13	8.00	135
-393J	39	±5%	30	2.5	12	9.00	125
-473J	47	±5%	30	2.5	11	10.00	120

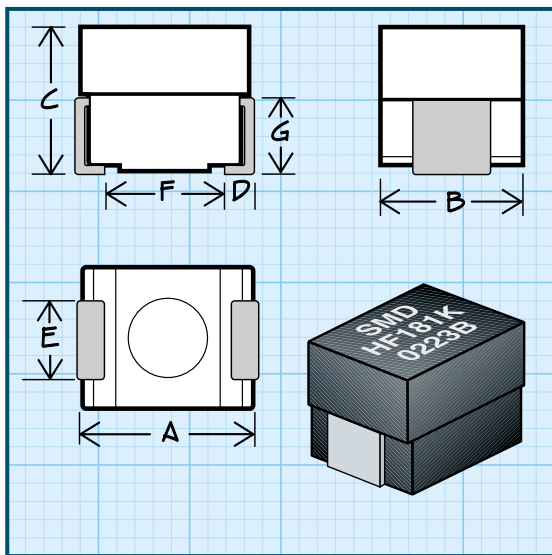
Optional Tolerances: J = 5% H = 3% G = 2% F = 1%

*Complete part # must include series # PLUS the dash #

For further surface finish information, refer to TECHNICAL section of this catalog.

Unshielded Surface Mount Inductors

RF INDUCTORS



Physical Parameters

	Inches	Millimeters
A	0.095 to 0.115	2.41 to 2.92
B	0.085 to 0.105	2.16 to 2.66
C	0.075 to 0.095	1.91 to 2.41
D	0.010 to 0.030	0.26 to 0.76
E	0.040 to 0.060	1.02 to 1.52
F	0.060 (Ref. only)	1.52 (Ref. only)
G	0.045 (Ref. only)	1.14 (Ref. only)

Dimensions "A" and "C" are over terminals.

Weight Max. (Grams) 0.1

Operating Temperature Range -55°C to +125°C

Current Rating at 90°C Ambient 35°C Rise

Maximum Power Dissipation at 90°C

Non-magnetic: 0.169 W

Ferrite: 0.208 W

Note Consult factory for custom applications

Packaging Tape & reel (8mm): 7" reel, 2000 pieces max.; 13" reel, 7000 pieces max.

Made In the U.S.A. Patent Protected

DASH NUMBER*

INDUCTANCE (nH)

TOLERANCE

Q MINIMUM

TEST FREQUENCY (MHz)

SRF MINIMUM (MHz)

DC RESISTANCE
MAXIMUM (OHMS)

CURRENT RATING
MAX. (mA)

SERIES HF1008 NON-MAGNETIC CORE

-047M	4.7	±20%	40	50	>3000	0.070	1320
-082M	8.2	±20%	40	50	>3000	0.075	1275
-100M	10.0	±20%	30	50	>3000	0.080	1235
-120M	12.0	±20%	30	50	2700	0.105	1075
-150M	15.0	±20%	30	50	2400	0.110	1053
-180M	18.0	±20%	30	50	2250	0.130	965
-220M	22.0	±20%	30	50	2000	0.135	950
-270M	27.0	±20%	30	50	1800	0.140	930
-330M	33.0	±20%	30	50	1600	0.150	900
-390M	39.0	±20%	30	50	1500	0.160	870
-470M	47.0	±20%	30	50	1350	0.170	847
-560K	56.0	±10%	20	50	1200	0.370	570
-680K	68.0	±10%	20	50	1050	0.400	550
-820K	82.0	±10%	15	50	1000	0.800	390
-101K	100	±10%	15	25	900	0.850	375

SERIES HF1008 FERRITE CORE

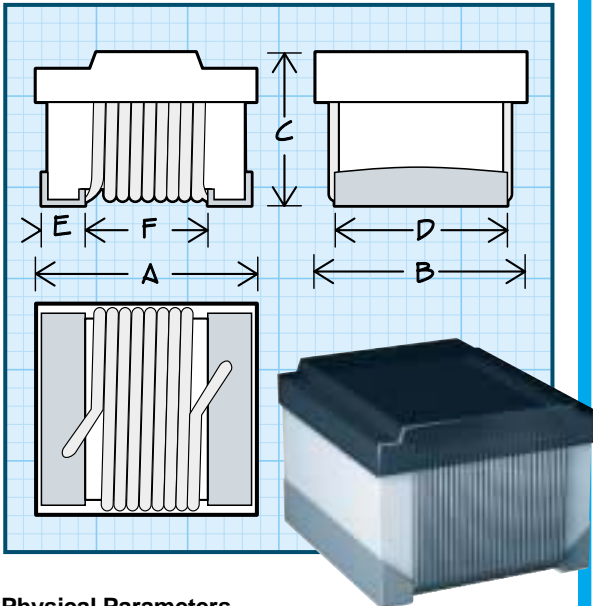
-121K	120	±10%	30	25	850	0.910	405
-151K	150	±10%	30	25	800	0.950	395
-181K	180	±10%	30	25	700	1.05	375
-221K	220	±10%	30	25	600	1.15	360
-271K	270	±10%	30	25	550	1.25	345
-331K	330	±10%	30	25	500	1.35	330
-391K	390	±10%	30	25	465	1.45	320
-471K	470	±10%	30	25	425	1.55	310
-561K	560	±10%	30	25	415	1.65	300
-621K	620	±10%	30	25	375	1.75	290
-681K	680	±10%	30	25	340	1.85	280
-751K	750	±10%	30	25	330	1.95	275
-821K	820	±10%	30	25	325	2.00	273
-911K	910	±10%	30	25	305	2.05	270
-102K	1000	±10%	30	25	290	1.40	325
-122K	1200	±10%	30	7.9	200	1.45	320
-152K	1500	±10%	30	7.9	165	1.50	315
-182K	1800	±10%	30	7.9	150	1.60	305
-222K	2200	±10%	30	7.9	120	1.65	300
-272K	2700	±10%	30	7.9	110	1.80	285
-332K	3300	±10%	30	7.9	60	1.90	280
-392K	3900	±10%	30	7.9	50	1.95	275
-472K	4700	±10%	30	7.9	40	2.00	273

Optional Tolerances: J = 5% H = 3% G = 2% F = 1%

*Complete part # must include series # PLUS the dash #

For further surface finish information,
refer to TECHNICAL section of this catalog.

Wirewound Surface Mount Inductors



Physical Parameters

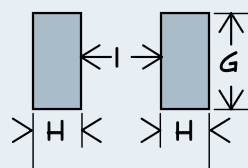
	Inches	Millimeters
A	0.115 Max.	2.92 Max.
B	0.110 Max.	2.79 Max.
C	0.080 Max.	2.03 Max.
D	0.080 (Ref. only)	2.03 (Ref. only)
E	0.020 (Ref. only)	0.50 (Ref. only)
F	0.060 (Ref. only)	1.52 (Ref. only)
G	0.100	2.54
H	0.040	1.01
I	0.050	1.27

Operating Temperature Range -40°C to +125°C

Inductance and Q tested on HP4291A using HP16193A test fixture, or equivalent

Packaging Tape & reel (8mm): 7" reel, 2000 pieces max.

LAND PATTERN DIMENSIONS



DASH NUMBER*

INDUCTANCE (nH) ±10%

INDUCTANCE TEST FREQUENCY (MHz)

Q MINIMUM

Q TEST FREQUENCY (MHz)

SRF MINIMUM (MHz)

DC RESISTANCE MAXIMUM (Ohms)

CURRENT RATING MAXIMUM (mA)

SERIES WW1008 CERAMIC CORE

-5N6K	5.6	50	50	1500	4000	0.15	1000
-10NK	10	50	50	500	4100	0.08	1000
-12NK	12	50	50	500	3300	0.09	1000
-15NK	15	50	50	500	2500	0.11	1000
-18NK	18	50	50	350	2400	0.12	1000
-22NK	22	50	55	350	2400	0.12	1000
-24NK	24	50	55	350	1900	0.12	1000
-27NK	27	50	55	350	1600	0.13	1000
-33NK	33	50	60	350	1600	0.14	1000
-39NK	39	50	60	350	1500	0.15	1000
-47NK	47	50	65	350	1500	0.16	1000
-56NK	56	50	65	350	1300	0.18	1000
-59NK	59	50	65	350	1250	0.20	1000
-68NK	68	50	65	350	1300	0.20	1000
-75NK	75	50	60	350	1100	0.21	1000
-82NK	82	50	60	350	1000	0.22	1000
-101K	100	25	60	350	1000	0.56	650
-121K	120	25	60	350	950	0.63	650
-151K	150	25	45	100	850	0.70	580
-181K	180	25	45	100	750	0.77	520
-221K	220	25	45	100	700	0.84	500
-241K	240	25	45	100	650	0.88	500
-271K	270	25	45	100	600	0.91	500
-301K	300	25	45	100	585	1.00	450
-331K	330	25	45	100	570	1.05	450
-361K	360	25	45	100	530	1.10	470
-391K	390	25	45	100	500	1.12	470
-431K	430	25	45	100	480	1.15	470
-471K	470	25	45	100	450	1.19	470
-561K	560	25	45	100	415	1.33	400
-621K	620	25	45	100	375	1.40	300
-681K	680	25	45	100	375	1.47	400
-751K	750	25	45	100	360	1.54	360
-821K	820	25	35	100	350	1.61	400
-911K	910	25	35	50	320	1.68	380
-102K	1000	25	35	50	290	1.75	370
-122K	1200	7.9	35	50	250	2.00	310
-152K	1500	7.9	28	50	200	2.30	330
-182K	1800	7.9	28	50	160	2.60	300
-222K	2200	7.9	28	50	160	2.80	280
-272K	2700	7.9	22	25	140	3.20	290
-332K	3300	7.9	22	25	110	3.40	290
-392K	3900	7.9	20	25	100	3.60	260
-472K	4700	7.9	20	25	90	4.00	260
-562K	5600	7.9	16	7.9	40	4.00	240
-682K	6800	7.9	18	7.9	40	4.90	200
-822K	8200	7.9	18	7.9	25	6.00	170
-103K	10000	2.5	18	7.9	20	9.00	150
-123K	12000	2.5	18	7.9	18	10.50	130
-153K	15000	2.5	18	7.9	15	11.50	120

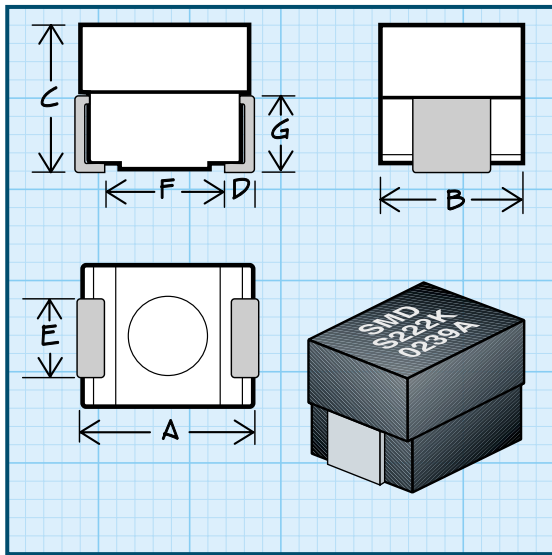
Optional Tolerances: 27nH & Lower J = 5%
 All Other Values: J = 5% G = 2%

*Complete part # must include series # PLUS the dash #

For further surface finish information, refer to TECHNICAL section of this catalog.

Shielded Surface Mount Inductors

RF INDUCTORS



Physical Parameters

	Inches	Millimeters
A	0.095 to 0.115	2.41 to 2.92
B	0.085 to 0.105	2.16 to 2.66
C	0.075 to 0.095	1.91 to 2.41
D	0.010 to 0.030	0.26 to 0.76
E	0.040 to 0.060	1.02 to 1.52
F	0.060 (Ref. only)	1.52 (Ref. only)
G	0.045 (Ref. only)	1.14 (Ref. only)

Dimensions "A" and "C" are over terminals.

Weight Max. (Grams) 0.1

Operating Temperature Range -55°C to +125°C

Current Rating at 90°C Ambient 35°C Rise

Maximum Power Dissipation at 90°C 0.157 W

Packaging Tape & reel (8mm): 7" reel, 2000 pieces max.; 13" reel, 7000 pieces max.

Made In the U.S.A. Patent Protected

DASH NUMBER*

INDUCTANCE
(µH) ± 10%

Q MINIMUM

TEST FREQUENCY (MHz)

SRF MINIMUM (MHz)

DC RESISTANCE
MAXIMUM (OHMS)

CURRENT RATING
MAX. (mA)

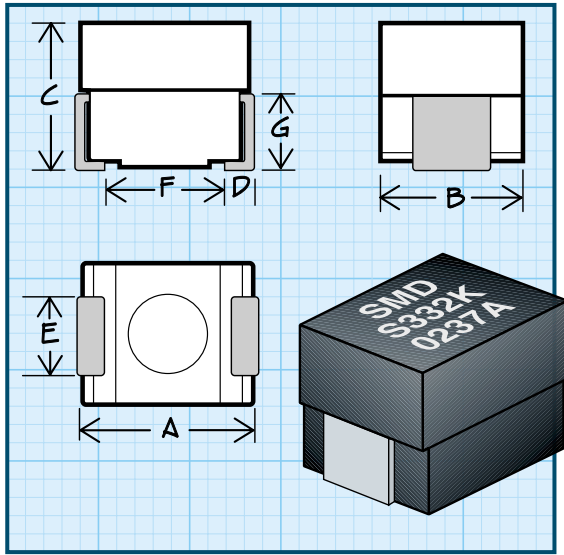
SERIES S1008 FERRITE CORE						
-101K	0.10	40	25	383	0.09	1120
-121K	0.12	40	25	368	0.10	1060
-151K	0.15	40	25	353	0.11	1015
-181K	0.18	40	25	338	0.12	970
-221K	0.22	40	25	323	0.13	930
-271K	0.27	40	25	308	0.14	900
-331K	0.33	40	25	293	0.15	865
-391K	0.39	40	25	278	0.16	840
-471K	0.47	40	25	255	0.17	815
-561K	0.56	40	25	232	0.18	790
-621K	0.62	40	25	200	0.19	770
-681K	0.68	40	25	186	0.20	750
-751K	0.75	40	25	163	0.21	735
-821K	0.82	40	25	140	0.22	715
-911K	0.91	40	25	130	0.24	685
-102K	1.0	30	7.9	120	0.25	670
-122K	1.2	30	7.9	95	0.29	625
-152K	1.5	30	7.9	72	0.42	545
-182K	1.8	30	7.9	66	0.60	435
-222K	2.2	30	7.9	60	0.80	375
-272K	2.7	30	7.9	55	0.85	365
-332K	3.3	30	7.9	50	0.90	355
-392K	3.9	30	7.9	45	1.00	335
-472K	4.7	30	7.9	42	1.20	305
-562K	5.6	30	7.9	40	1.30	295
-682K	6.8	30	7.9	38	1.80	250
-822K	8.2	30	7.9	32	1.90	240
-103K	10	30	7.9	29	2.10	230
-123K	12	30	2.5	28	3.50	220
-153K	15	30	2.5	25	4.00	210
-183K	18	30	2.5	21	5.00	200
-223K	22	30	2.5	18	6.00	170
-273K	27	30	2.5	15	7.00	160
-333K	33	30	2.5	12	7.40	125
-393K	39	30	2.5	10	8.00	120
-473K	47	30	2.5	8	9.00	110

Optional Tolerances: J = 5% H = 3% G = 2% F = 1%

*Complete part # must include series # PLUS the dash #

For further surface finish information,
refer to TECHNICAL section of this catalog.

Shielded Surface Mount Inductors



Physical Parameters

	Inches	Millimeters
A	0.118 to 0.138	3.00 to 3.51
B	0.085 to 0.105	2.16 to 2.66
C	0.081 to 0.101	2.06 to 2.57
D	0.016 Min.	0.41 Min.
E	0.041 to .061	1.04 to 1.55
F	0.070 (Ref. only)	1.78 (Ref. only)
G	0.054 (Ref. only)	1.37 (Ref. only)

Dimensions "A" and "C" are over terminals.

Weight Max. (Grams) 0.1

Operating Temperature Range -55°C to +125°C

Current Rating at 90°C Ambient 35°C Rise

Maximum Power Dissipation at 90°C

Iron: 0.266 W

Ferrite: 0.224 W

Packaging Tape & reel (8mm): 7" reel, 2000 pieces max.; 13" reel, 7000 pieces max.

Made In the U.S.A. Patent Protected

***Complete part # must include series # PLUS the dash #**

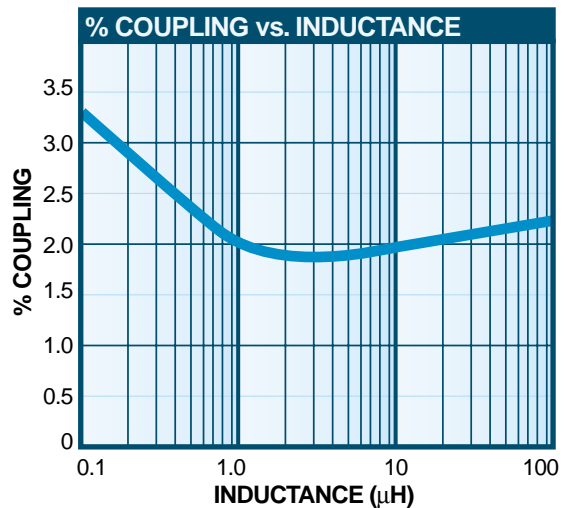
For further surface finish information, refer to **TECHNICAL** section of this catalog.

DASH NUMBER*
 INDUCTANCE (μH) ± 10%
 Q MINIMUM
 TEST FREQUENCY (MHz)
 SRF MINIMUM (MHz)
 DC RESISTANCE MAXIMUM (OHMS)
 CURRENT RATING MAX. (mA)

SERIES S1210 IRON CORE						
-101K	0.10	40	25	375	0.15	1131
-121K	0.12	40	25	350	0.17	1062
-151K	0.15	40	25	330	0.20	979
-181K	0.18	40	25	310	0.22	934
-221K	0.22	40	25	300	0.25	876
-271K	0.27	40	25	290	0.30	800
-331K	0.33	40	25	255	0.35	740
-391K	0.39	40	25	230	0.40	692
-471K	0.47	40	25	220	0.45	653
-561K	0.56	40	25	200	0.50	619
-681K	0.68	40	25	180	0.55	590
-821K	0.82	40	25	170	0.60	565
SERIES S1210 FERRITE CORE						
-102K	1.0	40	7.9	140	0.40	635
-122K	1.2	40	7.9	120	0.49	574
-152K	1.5	40	7.9	110	0.57	532
-182K	1.8	40	7.9	95	0.65	498
-222K	2.2	40	7.9	80	0.73	470
-272K	2.7	40	7.9	70	0.75	464
-332K	3.3	40	7.9	45	0.80	449
-392K	3.9	40	7.9	42	0.83	441
-472K	4.7	40	7.9	40	1.00	402
-562K	5.6	40	7.9	38	1.30	352
-682K	6.8	40	7.9	35	1.50	328
-822K	8.2	40	7.9	32	1.70	308
-103K	10.0	40	2.5	28	1.90	291
-123K	12.0	40	2.5	25	2.10	277
-153K	15.0	40	2.5	23	2.50	254
-183K	18.0	40	2.5	21	2.80	240
-223K	22.0	40	2.5	19	3.00	232
-273K	27.0	40	2.5	16	4.00	201
-333K	33.0	40	2.5	14	4.50	189
-393K	39.0	40	2.5	12	5.00	179
-473K	47.0	40	2.5	10	5.50	171
-563K	56.0	40	2.5	8	6.30	160
-683K	68.0	40	2.5	8	7.00	152
-823K	82.0	40	2.5	8	8.50	137
-104K	100.0	40	2.5	8	10.00	127

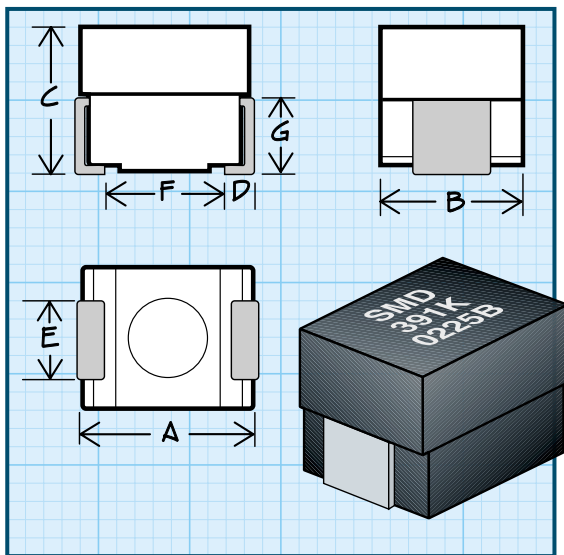
Optional Tolerances: J = 5% H = 3% G = 2% F = 1%

For more detailed graphs, contact factory



RF INDUCTORS

Surface Mount Inductors



Physical Parameters

	Inches	Millimeters
A	0.118 to 0.138	3.00 to 3.51
B	0.085 to 0.105	2.16 to 2.67
C	0.081 to 0.101	2.06 to 2.57
D	0.016 (Min.)	0.41 (Min.)
E	0.041 to 0.061	1.04 to 1.55
F	0.070 (Ref. only)	1.78 (Ref. only)
G	0.054 (Ref. only)	1.37 (Ref. only)

Dimensions "A" and "C" are over terminals

Weight Max. (Grams) 0.1

Operating Temperature Range -55°C to +125°C

Current Rating at 90°C Ambient 35°C Rise

Maximum Power Dissipation at 90°C Ambient

Phenolic: 0.168 W

Iron: 0.287 W

Ferrite: 0.287 W

**Note Self Resonant Frequency (SRF) values are calculated and for reference only.

Packaging Tape & reel (8mm): 7" reel, 2000 pieces max.; 13" reel, 7000 pieces max.

*Complete part # must include series # PLUS the dash #

For further surface finish information, refer to TECHNICAL section of this catalog.

Made In the U.S.A. Patent Protected

DASH NUMBER*

INDUCTANCE (µH)

TOLERANCE

Q MINIMUM

TEST FREQUENCY (MHz)

SRF MINIMUM (MHz) **

DC RESISTANCE MAXIMUM (OHMS)

CURRENT RATING MAX. (mA)

SERIES 1210 PHENOLIC CORE

-018M	0.0018	± 20%	40	50.0	2700**	0.050	1562
-022M	0.0022	± 20%	40	50.0	2700**	0.050	1562
-027M	0.0027	± 20%	40	50.0	2700**	0.050	1562
-033M	0.0033	± 20%	40	50.0	2700**	0.050	1562
-039M	0.0039	± 20%	40	50.0	2700**	0.050	1562
-047M	0.0047	± 20%	40	50.0	2700**	0.050	1562
-056M	0.0056	± 20%	40	50.0	2700**	0.050	1562
-068M	0.0068	± 20%	40	50.0	2700**	0.050	1562
-082M	0.0082	± 20%	40	50.0	2700**	0.050	1562
-100K	0.010	± 10%	30	50.0	2000**	0.13	966
-120K	0.012	± 10%	30	50.0	1850**	0.14	931
-150K	0.015	± 10%	30	50.0	1700**	0.16	871
-180K	0.018	± 10%	30	50.0	1550**	0.18	821
-220K	0.022	± 10%	30	50.0	1300**	0.20	779
-270K	0.027	± 10%	30	50.0	1150**	0.22	743
-330K	0.033	± 10%	30	50.0	1000**	0.24	711
-390K	0.039	± 10%	30	50.0	900**	0.27	670
-470K	0.047	± 10%	30	50.0	800**	0.30	636
-560K	0.056	± 10%	30	50.0	750**	0.33	606
-680K	0.068	± 10%	30	50.0	700**	0.36	580
-820K	0.082	± 10%	30	50.0	625**	0.40	551

SERIES 1210 IRON CORE

-101K	0.10	± 10%	30	25.0	550	0.20	1018
-121K	0.12	± 10%	30	25.0	500	0.22	971
-151K	0.15	± 10%	30	25.0	450	0.25	910
-181K	0.18	± 10%	30	25.0	400	0.28	860
-221K	0.22	± 10%	30	25.0	350	0.32	805
-271K	0.27	± 10%	30	25.0	320	0.36	759
-331K	0.33	± 10%	30	25.0	300	0.40	720
-391K	0.39	± 10%	30	25.0	250	0.45	679
-471K	0.47	± 10%	30	25.0	220	0.50	644
-561K	0.56	± 10%	30	25.0	180	0.55	614
-681K	0.68	± 10%	30	25.0	160	0.60	588
-821K	0.82	± 10%	30	25.0	140	0.67	556

SERIES 1210 FERRITE CORE

-102J	1.0	± 5%	30	7.9	120	0.70	515
-122J	1.2	± 5%	30	7.9	100	0.75	497
-152J	1.5	± 5%	30	7.9	85	0.85	467
-182J	1.8	± 5%	30	7.9	75	0.90	454
-222J	2.2	± 5%	30	7.9	70	1.0	431
-272J	2.7	± 5%	30	7.9	65	1.1	411
-332J	3.3	± 5%	30	7.9	58	1.2	393
-392J	3.9	± 5%	30	7.9	50	1.3	378
-472J	4.7	± 5%	30	7.9	45	1.5	352
-562J	5.6	± 5%	30	7.9	42	1.6	341
-682J	6.8	± 5%	30	7.9	40	1.8	321
-822J	8.2	± 5%	30	7.9	35	2.0	305
-103J	10	± 5%	30	7.9	30	2.1	297
-123J	12	± 5%	30	2.5	28	2.5	272
-153J	15	± 5%	30	2.5	25	2.8	257
-183J	18	± 5%	30	2.5	23	3.3	237
-223J	22	± 5%	30	2.5	20	3.7	224
-273J	27	± 5%	30	2.5	18	5.0	193
-333J	33	± 5%	30	2.5	15	5.6	182
-393J	39	± 5%	30	2.5	14	6.4	170
-473J	47	± 5%	30	2.5	13	7.0	163
-563J	56	± 5%	30	2.5	11	8.0	152
-683J	68	± 5%	30	2.5	10	9.0	144
-823J	82	± 5%	30	2.5	9	10.0	136
-104J	100	± 5%	30	2.5	8	13.0	120

Optional Tolerances: J = 5% H = 3% G = 2% F = 1%

Series

SPD125R & SPD127R
SPD125 & SPD127

RoHS
Compliant

Traditional
First Quality

Shielded Surface Mount Inductors

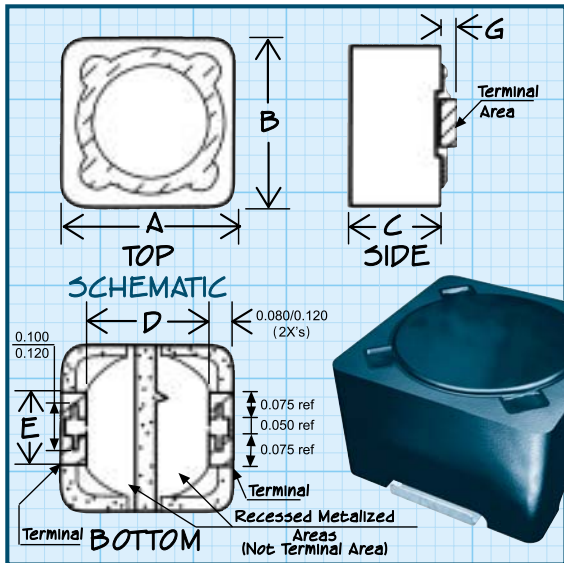
DASH NUMBER*

INDUCTANCE
(μ H) $\pm 20\%$

TEST
FREQUENCY (KHz)

DC RESISTANCE
MAXIMUM (Ohms)

CURRENT RATING
MAXIMUM (Amps)



SERIES SPD125				
-222M	2.2	100	0.020	7.00
-332M	3.3	100	0.030	5.50
-472M	4.7	100	0.040	5.00
-682M	6.8	100	0.050	4.50
-103M	10	100	0.055	4.00
-123M	12	1.0	0.060	3.50
-153M	15	1.0	0.065	3.30
-183M	18	1.0	0.070	3.00
-223M	22	1.0	0.075	2.80
-273M	27	1.0	0.085	2.30
-333M	33	1.0	0.095	2.10
-393M	39	1.0	0.105	2.00
-473M	47	1.0	0.115	1.80
-563M	56	1.0	0.135	1.60
-683M	68	1.0	0.170	1.50
-823M	82	1.0	0.190	1.40
-104M	100	1.0	0.210	1.30
-124M	120	1.0	0.250	1.10
-154M	150	1.0	0.300	1.00
-184M	180	1.0	0.350	0.90
-224M	220	1.0	0.420	0.80
-274M	270	1.0	0.510	0.75
-334M	330	1.0	0.600	0.70
-394M	390	1.0	0.750	0.65
-474M	470	1.0	0.820	0.60
-564M	560	1.0	1.000	0.55
-684M	680	1.0	1.300	0.50
-824M	820	1.0	1.650	0.45
-105M	1000	1.0	2.000	0.40

SERIES SPD127				
-222M	2.2	100	0.015	8.50
-332M	3.3	100	0.018	7.50
-472M	4.7	100	0.022	6.80
-682M	6.8	100	0.030	6.20
-103M	10	100	0.040	5.40
-123M	12	1.0	0.045	4.90
-153M	15	1.0	0.048	4.50
-183M	18	1.0	0.052	3.90
-223M	22	1.0	0.055	3.60
-273M	27	1.0	0.060	3.40
-333M	33	1.0	0.065	3.00
-393M	39	1.0	0.080	2.80
-473M	47	1.0	0.100	2.50
-563M	56	1.0	0.120	2.30
-683M	68	1.0	0.140	2.10
-823M	82	1.0	0.170	1.90
-104M	100	1.0	0.220	1.70
-124M	120	1.0	0.250	1.60
-154M	150	1.0	0.320	1.40
-184M	180	1.0	0.360	1.30
-224M	220	1.0	0.390	1.20
-274M	270	1.0	0.520	1.10
-334M	330	1.0	0.620	1.00
-394M	390	1.0	0.750	0.90
-474M	470	1.0	0.980	0.80
-564M	560	1.0	1.150	0.75
-684M	680	1.0	1.220	0.70
-824M	820	1.0	1.400	0.65
-105M	1000	1.0	1.540	0.62

Physical Parameters

	Inches	Millimeters
A	0.472 \pm 0.020	12.0 \pm 0.5
B	0.472 \pm 0.020	12.0 \pm 0.5
C	0.236 Max.	6.0 Max. (Series SPD125)
	0.315 Max.	8.0 Max. (Series SPD127)
D	0.300 \pm 0.020	7.6 \pm 0.5
E	0.198 \pm 0.020	5.0 \pm 0.5
F	0.086 \pm 0.020	2.18 \pm 0.5
G	0.015 Ref. only	0.38 Ref. only
H	0.075 Ref. only	1.91 Ref. only
I	0.198 Ref. only	5.03 Ref. only

Mechanical Configuration Units designed for surface mounting; ferrite core and ferrite sleeve

Terminals are Solderable More than 95% new solder coverage when subjected to soldering temperature

Operating temperature range -55°C to +125°C

Application Frequency Range
Values 2.2 μ H to 10 μ H to 1.0 MHz Min.
Values above 10 μ H to 300 KHz Min.

Current Rating at 25°C Ambient The maximum DC current that will cause a 40°C maximum temperature rise and where the inductance will not decrease by more than 10% from its zero DC value

Packaging Tape & reel (24mm):
13" reel, 500 pieces max.; 7" reel not available

*Complete part # must include series # PLUS the dash #

For further surface finish information,
refer to TECHNICAL section of this catalog.

POWER INDUCTORS