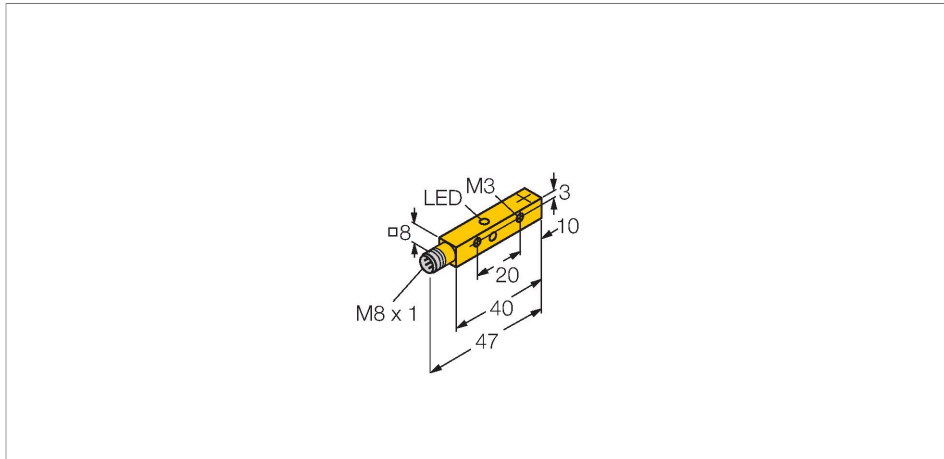


Ni4U-Q8SE-AP6X-V1131

Inductive Sensor – With Extended Switching Distance



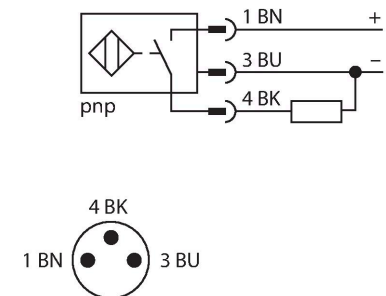
Features

- Rectangular, height 8 mm
- Active face on top
- Factor 1 for all metals
- Increased switching distance
- Protection class IP68
- Resistant to magnetic fields
- Auto-compensation protects against pre-damping
- Flush mounted installation on up to 4 sides
- DC 3-wire, 10...30 VDC
- NO contact, PNP output
- M8 x 1 male connector

Technical data

Type	Ni4U-Q8SE-AP6X-V1131
ID	4635808
General data	
Rated switching distance	4 mm
Mounting conditions	Non-flush, flush mountable
Secured operating distance	$\leq (0.81 \times S_n)$ mm
Repeat accuracy	$\leq 2\%$ of full scale
Temperature drift	$\leq \pm 10\%$
	$\leq \pm 15\%$, $\leq -25\text{ }^\circ\text{C}$ v $\geq +70\text{ }^\circ\text{C}$
Hysteresis	3...15 %
Electrical data	
Operating voltage	10...30 VDC
Residual ripple	$\leq 10\%$ U_{ss}
DC rated operational current	≤ 150 mA
No-load current	15 mA
Residual current	≤ 0.1 mA
Isolation test voltage	≤ 0.5 kV
Short-circuit protection	yes / Cyclic
Voltage drop at I_o	≤ 1.8 V
Wire breakage/Reverse polarity protection	yes / Complete
Output function	3-wire, NO contact, PNP
DC field stability	200 mT
AC field stability	200 mT _{ss}
Insulation class	□

Wiring diagram



Functional principle

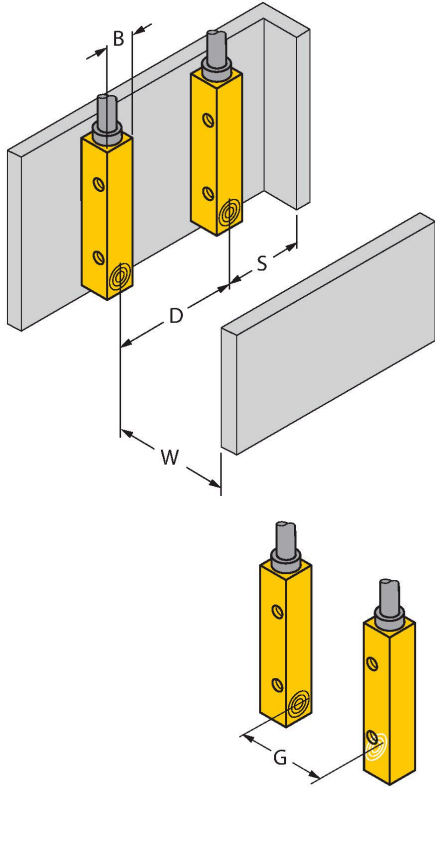
Inductive sensors are designed for wear-free and contactless detection of metal objects. uprox+ sensors have significant advantages due to their patented multi-coil system. They excel thanks to their optimum switching distances, maximum flexibility and operational reliability as well as efficient standardization.

Technical data

Switching frequency	1 kHz
Mechanical data	
Design	Rectangular, Q8SE
Dimensions	40 x 8 x 8 mm
Housing material	Plastic, PP, Yellow
Active area material	PP, yellow
Tightening torque	≤ 0.6 Nm
Electrical connection	Connector, M8 × 1
Environmental conditions	
Ambient temperature	-30...+85 °C
Vibration resistance	55 Hz (1 mm)
Shock resistance	30 g (11 ms)
Protection class	IP68
MTTF	874 years acc. to SN 29500 (Ed. 99) 40 °C
Switching state	LED, Yellow

Mounting instructions

Mounting instructions/Description



Distance D 24 mm

Distance W 12 mm

Distance S 12 mm

Distance G 24 mm

Width active area B 8 mm

Flush mounting

1-side mounting:
Sr = 3.5 mm

2-side mounting:
Sr = 3.0 mm

3-side mounting:
Sr = 2.5 mm

4-side mounting:
Sr = 2.0 mm

Wiring accessories

Dimension drawing

Type

ID

PKG3M-2/TEL

6625058

Connection cable, M8 female connector, straight, 3-pin, cable length: 2 m, jacket material: PVC, black; cULus approval

